



# GATE DRIVE TRANSFORMERS

- \* Designs for Gate/Base/Flyback/Push-pull
- \* High Isolation Voltages
- \* Operation frequency from 20kHz

- \* Industry Standard Packages
- \* Multiple Configurations

## ELECTRICAL SPECIFICATIONS AT 25°C - OPERATING TEMPERATURE RANGE -40°C TO +80°C

PART NUMBER	TURNS RATIO (Pri:Sec ± 5%)	PRIMARY OCL (μH)	LEAKAGE IND (μH tpy.)	PRI DCR (Ω MAX.)	SEC DCR (Ω MAX.)	PRI/SEC HI-POT VDC	PACKAGE/ SCHEMATIC
<a href="#">PMGD-02</a>	1 : 1 : 1	530	1.5	-	-	1500	EP13/9
<a href="#">PMGD-03</a>	1 : 1	800	2.0	-	-	1500	EP7/3
<a href="#">PMGD-04</a>	1 : 1 : 1	24500	20.0	-	-	1000	EP10/10
<a href="#">PMGD-05</a>	1 : 0.67	6200	15.0	-	-	1000	EP10/11
<a href="#">PMGD-06</a>	1 : 1	6200	15.0	-	-	2800	EP10/11
<a href="#">PMGD-07</a>	1 : 2 : 2	2350	2.0	-	-	2100	EP13/12
<a href="#">PMGD-08</a>	1 : 1.25 : 1.25	575	1.0	-	-	4200	EP13/13
<a href="#">PMGD-09</a>	1 : 2 : 2	2350	2.0	-	-	4200	EP13/13
<a href="#">PMGD-10</a>	1 : 2 : 2	8350	25.0	-	-	3500	EP13/13
<a href="#">PMGD-50</a>	1CT : 1CT	800 MIN	3.00	3.50	3.50	1250	EP5G/1
<a href="#">PMGD-51</a>	1CT : 2CT	390 MIN	1.50	2.25	4.50	1250	EP5G/1
<a href="#">PMGD-52</a>	1CT : 2.5CT	390 MIN	1.50	2.25	6.00	1250	EP5G/1
<a href="#">PMGD-53</a>	1CT : 3CT	2000 MIN	1.20	3.00	25.0	1250	EP5G/19
<a href="#">PMGD-54</a>	1 : 1CT	2000 MIN	1.20	2.75	2.75	1250	EP5G/2
<a href="#">PMGD-55</a>	1 : 2CT	17.2 ± 20%	1.00	1.25	3.00	1250	EP5G/2
<a href="#">PMGD-56</a>	1 : 12.04	3.7 ± 20%	0.275	0.90	12.25	550	EP5G/3
<a href="#">PMGD-57</a>	1 : 3.0	9.88 ± 20%	0.500	1.00	3.25	1250	EP5G/4
<a href="#">PMGD-58</a>	1 : 1 : 1	330 MIN	0.500	2.0	2.0	1500	EP5G/7
<a href="#">PMGD-59</a>	1 : 1	330 MIN	1.0	1.0	1.0	1500	EP5G/8
<a href="#">PMGD-60</a>	1CT : 5CT	160 MIN N/A	1.1	9.6		1800	A/5
<a href="#">PMGD-61</a>	1CT : 3CT	180 MIN N/A	1.1	8.0		1800	A/5
<a href="#">PMGD-62</a>	1 : 5	180 MIN N/A	1.1	8.3		1800	A/6
<a href="#">PMGD-63</a>	1 : 1	700 ± 20%	3.0	2.0	2.0	1250	EP5G/3
<a href="#">PMGD-64</a>	1 : 1.0	785 MIN	0.500	1.00	0.6	0.6	EP5G/4



# GATE DRIVE TRANSFORMERS

## (TOROID)

- \* Insulation Resistance - 100MΩ minimum
- \* Temperature rise - 40°C
- \* Current Rating - 0.3 Amps

### ELECTRICAL SPECIFICATIONS AT 25°C - OPERATING TEMPERATURE RANGE -40°C TO +80°C

PART NUMBER	TURNS (N1:N2:N3)	N1 INDUCTANCE (mH min.) (10kHz, 50mV)	N3 LEAKAGE IND (μH Max.)	N1 DCR (Ω MAX.)	N3 DCR (Ω MAX.)	N3-N1/N2 HIPOT (Vrms)	N1-N2 HIPOT (Vrms)	PACKAGE/ SCHEMATIC
<a href="#">PMGD-111</a>	8:8:12	0.14	0.5	0.060	0.097	4200	500	B / 15
<a href="#">PMGD-112</a>	10:10	0.22	0.5	0.072	0.074	-	4200	B / 16
<a href="#">PMGD-113</a>	10:10:10	0.22	0.5	0.072	0.074	4200	500	B / 15
<a href="#">PMGD-114</a>	12:12:10	0.31	0.5	0.077	0.074	4200	500	B / 15
<a href="#">PMGD-115</a>	14:14:10	0.42	0.5	0.090	0.074	4200	500	B / 15
<a href="#">PMGD-116</a>	10:15	0.22	0.5	0.072	0.100	-	4200	B / 16
<a href="#">PMGD-117</a>	15:15:10	0.47	0.5	0.100	0.074	4200	500	B / 15
<a href="#">PMGD-118</a>	20:20:10	0.83	0.5	0.138	0.074	4200	500	B / 15
<a href="#">PMGD-119</a>	20:20:20	0.83	0.5	0.156	0.156	4200	500	B / 15



# SMT GATE DRIVE TRANSFORMERS

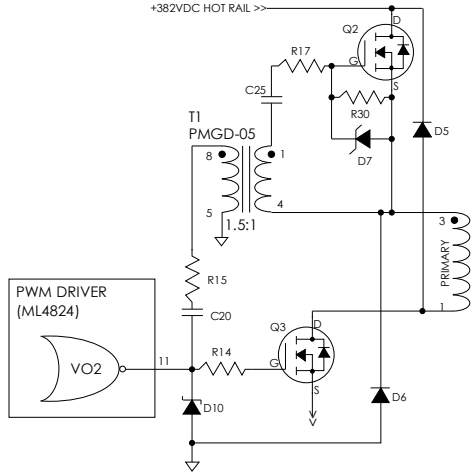
- \* Basic Insulation (1.4mm creepage and clearance between Primary and Secondary)
- \* Operating Frequency at 50kHz minimum
- \* RoHS compliant

**ELECTRICAL SPECIFICATIONS AT 25°C - OPERATING TEMPERATURE RANGE -40°C TO +130°C**

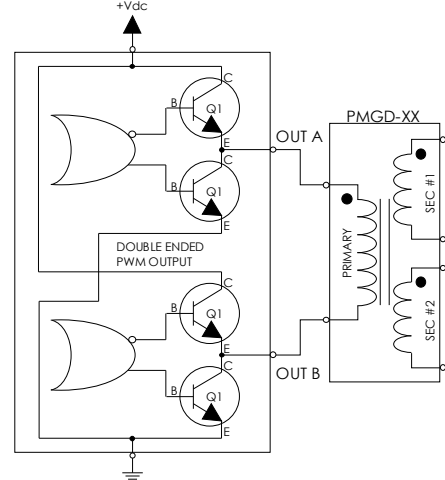
PART NUMBER	TURNS (PRI:SEC1:SEC2)	PRIMARY INDUCTANCE (uH MIN.)	LEAKAGE INDUCTANCE (uH MAX.)	PRIMARY DCR (Ω MAX.)	SECONDARY DCR (Ω MAX.)	HIPOT (Vrms)	Vusec MAX.	PACKAGE/ SCHEMATIC
<a href="#">PMGD-130</a>	1 : 1	1490	0.80	1.15	1.15	1500	50	C / 18
<a href="#">PMGD-131</a>	2 : 1 : 1	1425	0.80	1.15	0.60	1500	50	C / 17
<a href="#">PMGD-132</a>	2.5 : 1 : 1	1485	0.80	1.15	0.45	1500	45	C / 17

## TYPICAL APPLICATIONS

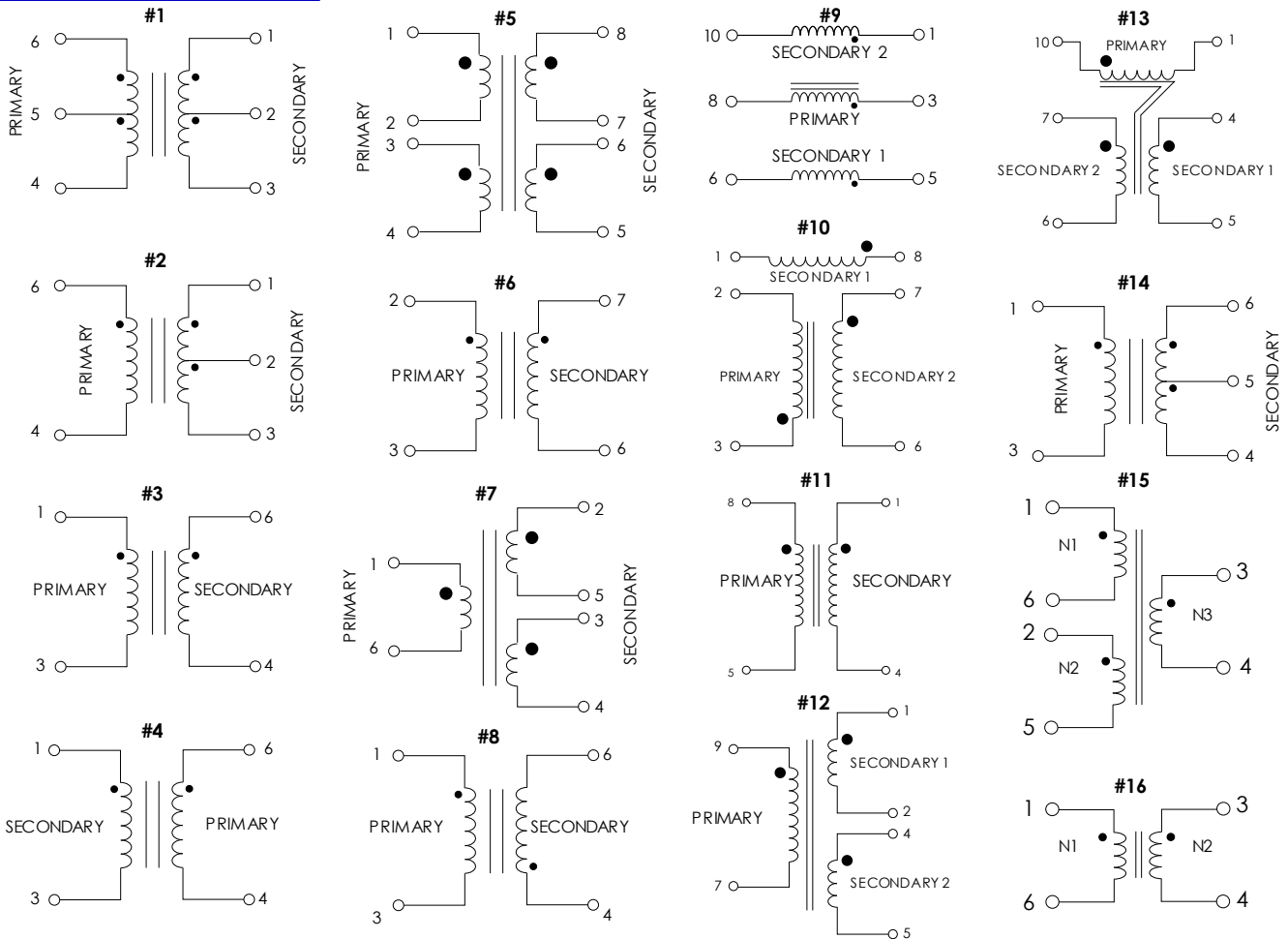
### TYPICAL SINGLE ENDED APPLICATION CIRCUIT



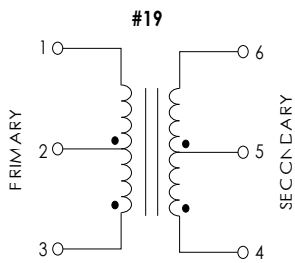
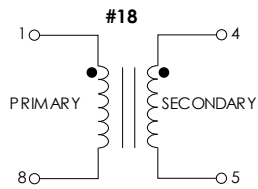
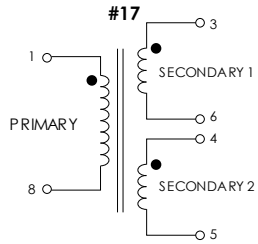
### TYPICAL DOUBLE ENDED APPLICATION CIRCUIT



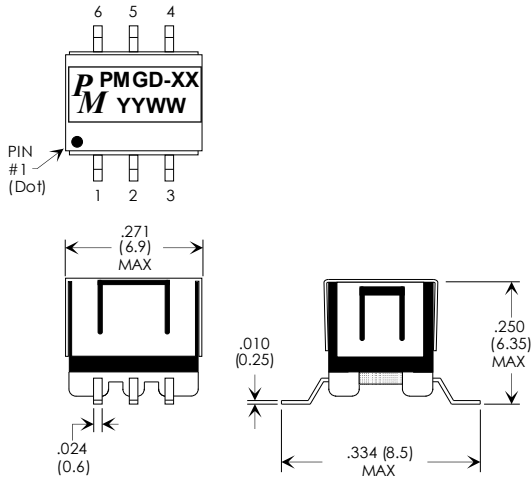
## SCHEMATICS



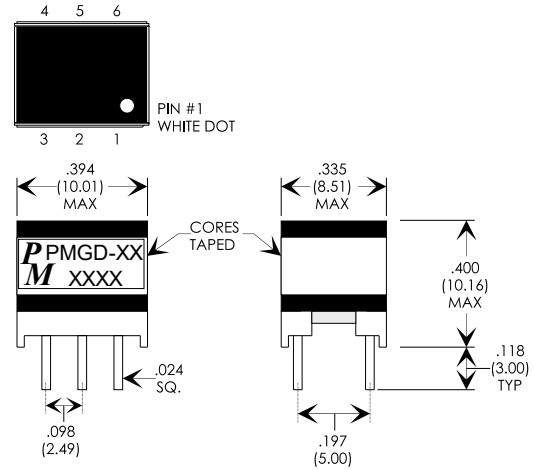
## SCHEMATICS



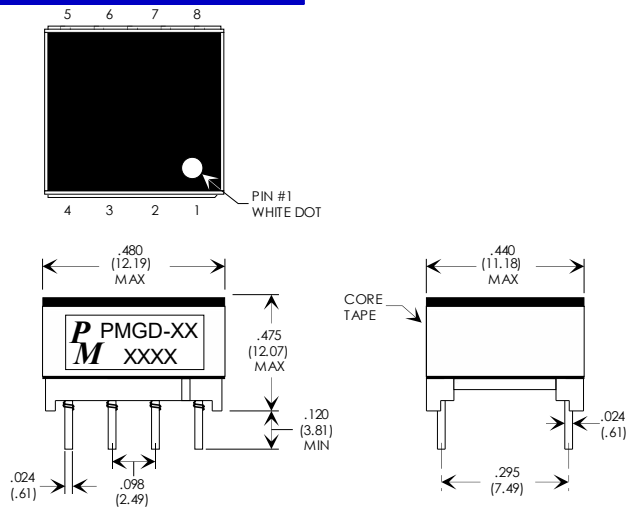
## EP5G MECHANICAL



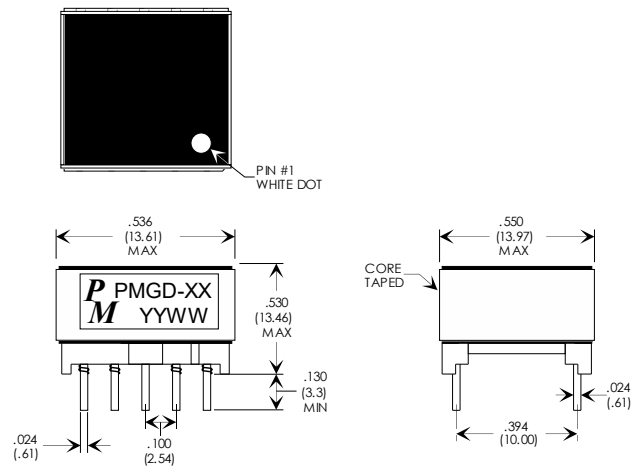
## EP7 MECHANICALS



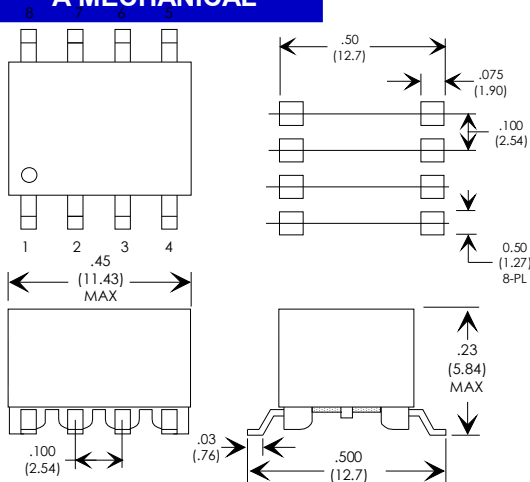
## EP10 MECHANICAL



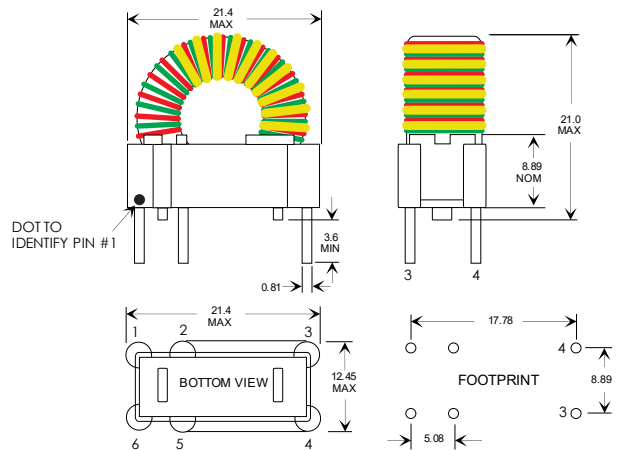
## EP13 MECHANICAL



## A MECHANICAL



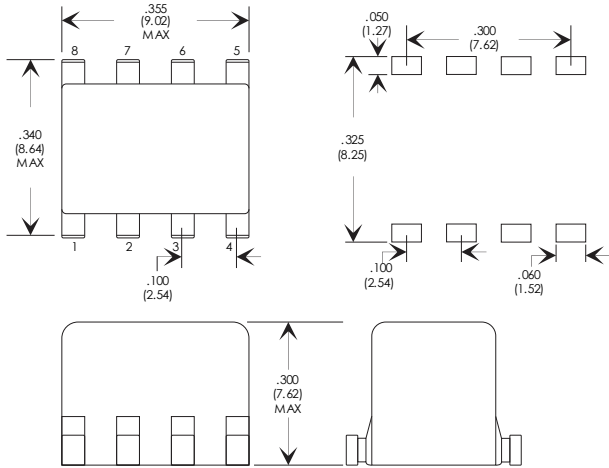
## B MECHANICAL



Specifications subject to change without notice.

pmgd05/20

## CMECHANICAL





PREMIER

MIDCOM

PMGD-50

31094R

PMGD-51

31095R

PMGD-52

31096R

PMGD-53

30902R

PMGD-54

31204R

PMGD-55

31098R

PMGD-56

31032R

PMGD-57

31099R

PMGD-60

S5499D COILCRAFT

PMGD-62

S6650D COILCRAFT

PMGD-130

PA-2007 PULSE

PM-GD-131

PA2008 PULSE

PMGD-132

PA2009 PULSE



