

EMI/RFI COMMON MODE INDUCTORS

RoHS

- * For High Frequency Power Supply Applications
- * 1250 Vrms Isolation Voltage
- * Vertical Mount

- * Custom Values Available
- * Industry Standard Package
- * Balanced Windings

ELECTRICAL SPECIFICATIONS AT 25°C - OPERATING TEMPERATURE RANGE -40°C TO +85°C

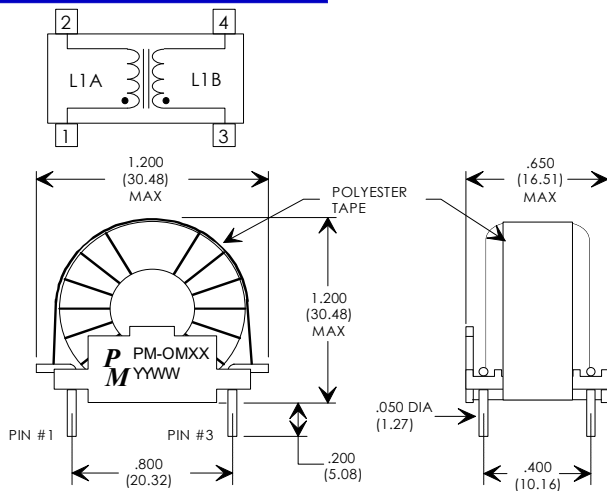
PART NUMBER	RATED RMS Current Amps	Load VA(note) @ RMS Line		INDUCTANCE @ 1KHz (mH Min.)	L _L @ 130KHz (μH Max.)	DCR EACH WINDING (Ohms Max.)	PACKAGE
		117V	220V				
PM-OM01	1.8	210	420	10.0	130	0.240	A
PM-OM02	3.5	400	800	3.0	35	0.060	A
PM-OM03	6.0	700	1400	1.0	12	0.020	A
PM-OM04	2.6	300	600	16.0	180	0.320	B
PM-OM05	3.2	375	750	8.0	90	0.120	B
PM-OM06	5.2	600	1200	4.0	45	0.040	B
PM-OM07	7.5	875	1750	2.0	25	0.020	B
PM-OM13	6.0	700	1400	1.0	12	0.020	C

Note: May use at higher voltage line (265V, 300V...) with the same or less Rated Current

PACKAGE "A"

Physical Dimensions in inches (mm)

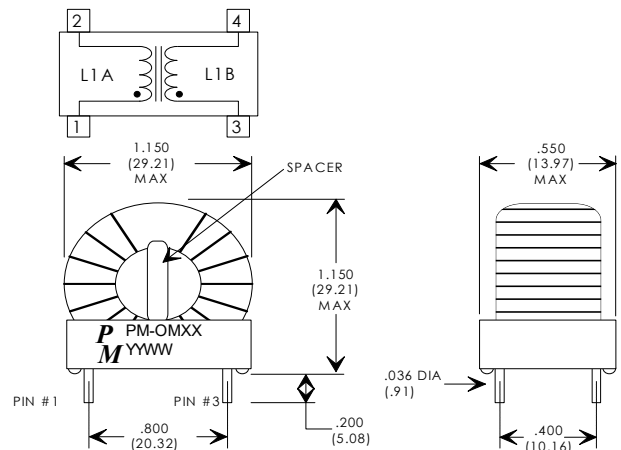
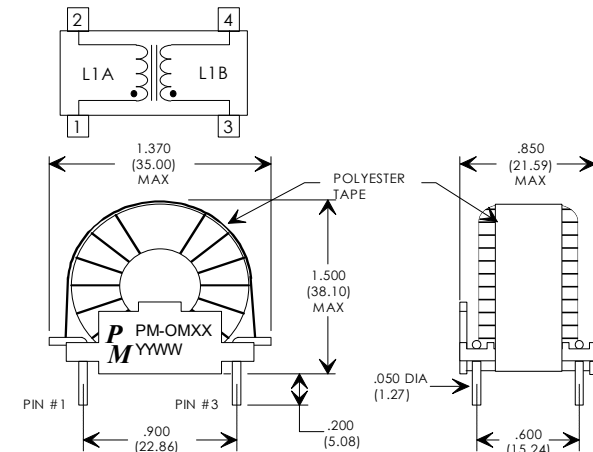
SCHEMATICS



PACKAGE "B"

Physical Dimensions in inches (mm)

PACKAGE "C"



Specifications subject to change without notice.

PM-OMxxx 03/21

EMI/RFI COMMON MODE INDUCTORS

RoHS

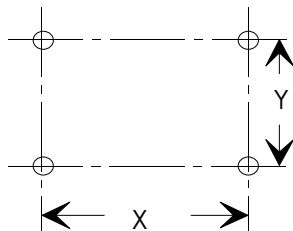
- * For High Frequency Power Supply Applications
- * 1250 Vrms Isolation Voltage
- * Vertical Mount

- * Custom Values Available
- * Industry Standard Package
- * Balanced Windings

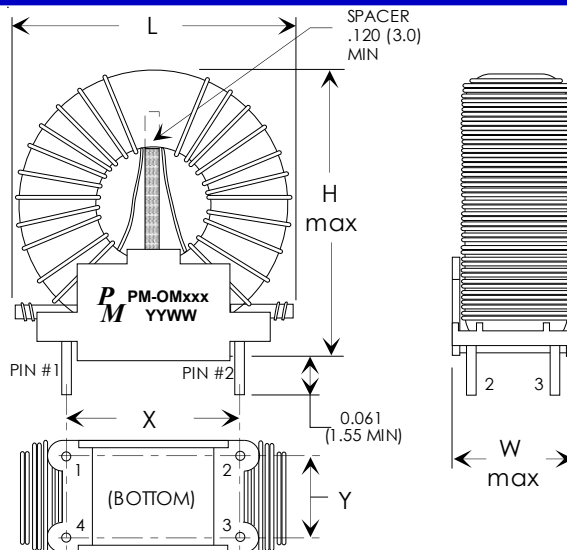
ELECTRICAL SPECIFICATIONS AT 25°C - OPERATING TEMPERATURE RANGE -40°C TO +85°C

PART NUMBER	IND. (L _s) @15.75 KHz (mH Min)	CURRENT RATING (Arms)	LEAKAGE L _l (µH Max.)	DCR Ohms (Max.)	REF. DIMENSIONS IN INCHES					
					H (Max)	L (Max)	W (Max)	X (± 0.02)	Y (± 0.01)	Lead Dia.
PM-OM101	5.0	1.0	80	0.207	1.100	1.210	0.625	0.80	0.40	0.050
PM-OM102	8.0	1.0	125	0.270	1.100	1.210	0.625	0.80	0.40	0.050
PM-OM103	15.0	1.0	233	0.430	1.155	1.300	0.625	0.80	0.40	0.050
PM-OM104	2.5	2.0	42	0.090	1.100	1.210	0.625	0.80	0.40	0.050
PM-OM105	4.0	2.0	70	0.095	1.181	1.210	0.625	0.80	0.40	0.050
PM-OM106	7.5	2.0	74	0.108	1.155	1.300	0.625	0.80	0.40	0.050
PM-OM107	1.3	4.0	20	0.029	1.201	1.210	0.626	0.80	0.40	0.032
PM-OM108	2.1	4.0	36	0.040	1.201	1.210	0.626	0.80	0.40	0.032
PM-OM109	3.7	4.0	40	0.036	1.201	1.300	0.626	0.80	0.40	0.032
PM-OM110	1.0	6.0	19	0.022	1.100	1.210	0.625	0.80	0.40	0.040
PM-OM111	1.7	6.0	34	0.032	1.155	1.300	0.625	0.80	0.40	0.040
PM-OM112	3.0	6.0	35	0.027	1.200	1.210	0.625	0.80	0.40	0.040
PM-OM113	0.6	9.0	11	0.012	1.200	1.210	0.625	0.80	0.40	0.045
PM-OM114	1.1	9.0	12	0.013	1.300	1.210	0.625	0.80	0.40	0.045
PM-OM115	1.9	9.0	20	0.017	1.300	1.400	0.625	0.80	0.40	0.045
PM-OM116	0.5	12.0	9	0.008	1.200	1.210	0.625	0.80	0.40	0.051
PM-OM117	0.8	12.0	9	0.008	1.200	1.210	0.625	0.80	0.40	0.051
PM-OM118	1.4	12.0	16	0.011	1.300	1.210	0.625	0.80	0.40	0.051
PM-OM119	0.3	15.0	6	0.005	1.300	1.210	0.625	0.80	0.40	0.057
PM-OM120	0.6	15.0	6.5	0.006	1.250	1.210	0.625	0.80	0.40	0.057
PM-OM121	1.1	15.0	13.7	0.008	1.250	1.210	0.700	0.80	0.40	0.057
PM-OM122	10.0	2.4	80	0.170	1.200	1.200	0.625	0.80	0.40	0.050

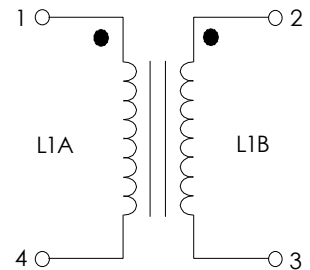
MECHANICAL



RECOMMENDED P.C.B. LAYOUT
Dimensions in inches



SCHEMATICS



Specifications subject to change without notice.

PM-OMxxx 03/21

EMI/RFI COMMON MODE INDUCTORS

RoHS

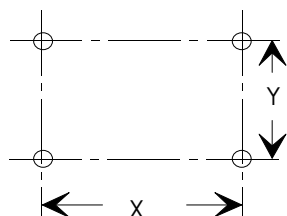
- * For High Frequency Power Supply Applications
- * 1250 Vrms Isolation Voltage
- * Vertical Mount

- * Custom Values Available
- * Industry Standard Package
- * Balanced Windings

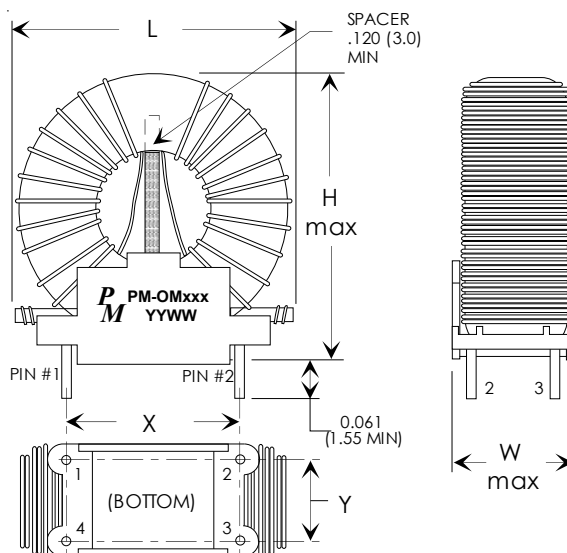
ELECTRICAL SPECIFICATIONS AT 25°C - OPERATING TEMPERATURE RANGE -40°C TO +85°C

PART NUMBER	IND. (L _s) @15.75 KHz (mH Min)	CURRENT RATING (Arms)	LEAKAGE L _L (µH Max.)	DCR Ohms (Max.)	REF. DIMENSIONS IN INCHES					
					H (Max)	L (Max)	W (Max)	X (±0.01)	Y (±0.01)	Lead Dia.
PM-OM201	7.5	1.0	90	0.270	1.100	1.310	0.825	0.90	0.60	0.050
PM-OM202	13.0	1.0	190	0.415	1.300	1.310	0.825	0.90	0.60	0.050
PM-OM203	3.8	2.0	48	0.106	1.100	1.310	0.825	0.90	0.60	0.050
PM-OM204	6.5	2.0	98	0.145	1.300	1.310	0.825	0.90	0.60	0.050
PM-OM205	1.9	4.0	26	0.038	1.100	1.310	0.825	0.90	0.60	0.050
PM-OM206	3.3	4.0	45	0.055	1.300	1.300	0.825	0.90	0.60	0.050
PM-OM207	1.5	6.0	21	0.029	1.100	1.310	0.825	0.90	0.60	0.050
PM-OM208	2.6	6.0	41	0.040	1.400	1.400	0.900	0.90	0.60	0.050
PM-OM209	0.9	9.0	17	0.014	1.200	1.310	0.825	0.90	0.60	0.051
PM-OM210	1.5	9.0	20	0.013	1.250	1.250	0.825	0.90	0.60	0.051
PM-OM211	0.7	12.0	14	0.011	1.200	1.250	0.825	0.90	0.60	0.057
PM-OM212	1.2	12.0	14	0.011	1.200	1.250	0.825	0.90	0.60	0.051
PM-OM213	0.5	15.0	8.7	0.007	1.300	1.300	0.825	0.90	0.60	0.064
PM-OM214	0.8	15.0	10	0.007	1.200	1.250	0.825	0.90	0.60	0.057

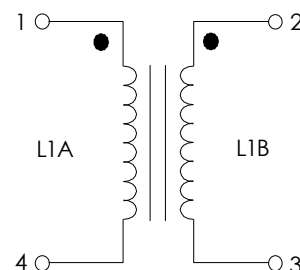
MECHANICAL



RECOMMENDED P.C.B. LAYOUT
Dimensions in inches



SCHEMATICS



EMI/RFI COMMON MODE INDUCTORS

RoHS

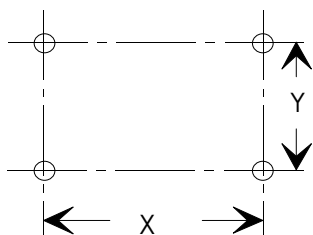
- * For High Frequency Power Supply Applications
- * 1250 Vrms Isolation Voltage
- * Vertical Mount

- * Custom Values Available
- * Industry Standard Package
- * Balanced Windings

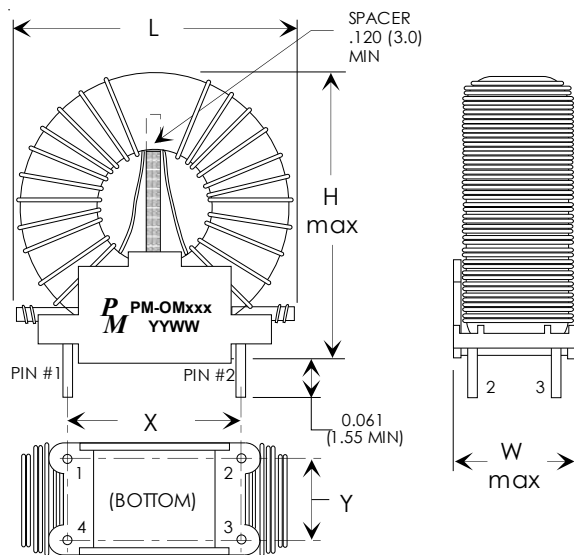
ELECTRICAL SPECIFICATIONS AT 25°C - OPERATING TEMPERATURE RANGE -40°C TO +85°C

PART NUMBER	IND. (L _s) @15.75 KHz (mH Min)	CURRENT RATING (Arms)	LEAKAGE L _L (µH Max.)	DCR Ohms (Max.)	REF. DIMENSIONS IN INCHES					
					H (Max)	L (Max)	W (Max)	X (±0.01)	Y (±0.01)	Lead Dia.
PM-OM301	32.5	1.0	485	0.650	1.400	1.650	0.925	1.20	0.70	0.050
PM-OM302	56.0	1.0	780	0.900	1.650	1.650	0.925	1.20	0.70	0.050
PM-OM303	16.0	2.0	210	0.240	1.400	1.650	0.925	1.20	0.70	0.050
PM-OM304	28.0	2.0	410	0.330	1.650	1.650	0.925	1.20	0.70	0.050
PM-OM305	8.0	4.0	57.5	0.061	1.350	1.650	0.925	1.20	0.70	0.050
PM-OM306	14.0	4.0	180	0.120	1.700	1.650	0.950	1.20	0.70	0.050
PM-OM307	6.6	6.0	49	0.048	1.400	1.600	0.925	1.20	0.70	0.050
PM-OM308	11.5	6.0	140	0.088	1.700	1.650	0.925	1.20	0.70	0.050
PM-OM309	4.0	9.0	37	0.026	1.400	1.450	0.925	1.20	0.70	0.042
PM-OM310	7.0	9.0	104	0.045	1.760	1.760	0.975	1.20	0.70	0.042
PM-OM311	3.0	12.0	40	0.022	1.700	1.700	0.950	1.20	0.70	0.048
PM-OM312	5.2	12.0	47	0.025	1.700	1.700	1.000	1.20	0.70	0.048
PM-OM313	2.5	15.0	42	0.019	1.750	1.750	1.000	1.20	0.70	0.057
PM-OM314	4.4	15.0	48	0.017	1.700	1.700	1.000	1.20	0.70	0.057
PM-OM315	1.0	20.0	14	0.007	1.700	1.700	0.925	1.20	0.70	0.064

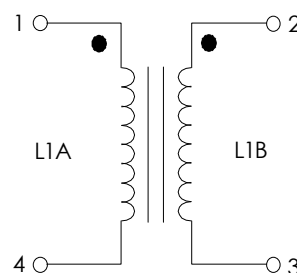
MECHANICAL



RECOMMENDED P.C.B. LAYOUT
Dimensions in inches



SCHEMATICS



EMI/RFI COMMON MODE INDUCTORS

RoHS

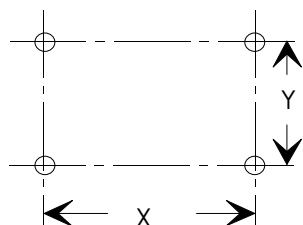
- * For High Frequency Power Supply Applications
- * 1250 Vrms Isolation Voltage
- * Vertical Mount

- * Custom Values Available
- * Industry Standard Package
- * Balanced Windings

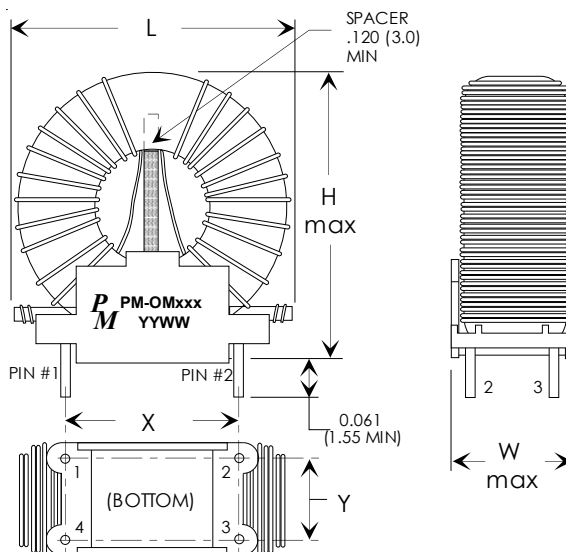
ELECTRICAL SPECIFICATIONS AT 25°C - OPERATING TEMPERATURE RANGE -40°C TO +85°C

PART NUMBER	IND. (L _s) @15.75 KHz (mH Min)	CURRENT RATING (Arms)	LEAKAGE L _L (µH Max.)	DCR Ohms (Max.)	REF. DIMENSIONS IN INCHES					
					H (Max)	L (Max)	W (Max)	X (±0.01)	Y (±0.01)	Lead Dia.
PM-OM401	72.0	1.0	1400	1.150	2.100	2.100	1.130	1.50	0.90	0.050
PM-OM402	125.0	1.0	1400	1.150	2.200	2.150	1.130	1.50	0.90	0.050
PM-OM403	36.0	2.0	680	0.415	2.150	2.150	1.130	1.50	0.90	0.050
PM-OM404	62.0	2.0	750	0.415	2.200	2.150	1.130	1.50	0.90	0.050
PM-OM405	19.0	4.0	350	0.150	2.200	2.180	1.130	1.50	0.90	0.050
PM-OM406	32.0	4.0	370	0.158	2.200	2.180	1.130	1.50	0.90	0.050
PM-OM407	15.0	6.0	275	0.114	2.200	2.180	1.130	1.50	0.90	0.050
PM-OM408	26.0	6.0	320	0.115	2.225	2.180	1.130	1.50	0.90	0.050
PM-OM409	10.0	9.0	190	0.057	2.200	2.180	1.130	1.50	0.90	0.050
PM-OM410	17.0	9.0	220	0.062	2.280	2.250	1.150	1.50	0.90	0.050
PM-OM411	7.5	12.0	140	0.042	2.200	2.250	1.130	1.50	0.90	0.050
PM-OM412	13.0	12.0	155	0.043	2.500	2.300	1.130	1.50	0.90	0.050
PM-OM413	6.0	15.0	111	0.030	2.200	2.250	1.150	1.50	0.90	0.050
PM-OM414	10.0	15.0	122	0.029	2.280	2.300	1.130	1.50	0.90	0.050

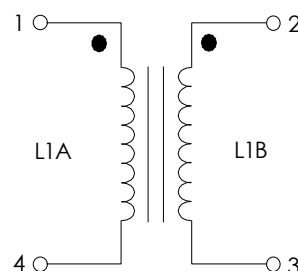
MECHANICAL



RECOMMENDED P.C.B. LAYOUT
Dimensions in inches



SCHEMATICS



EMI/RFI COMMON MODE INDUCTORS

RoHS

- * For High Frequency Power Supply Applications
- * 1250 Vrms Isolation Voltage
- * Vertical Mount

- * Custom Values Available
- * Industry Standard Package
- * Balanced Windings

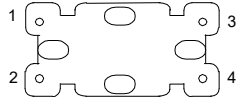
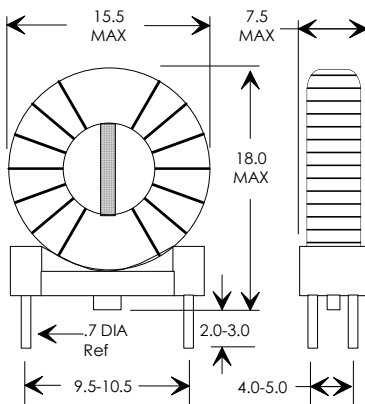
ELECTRICAL SPECIFICATIONS AT 25°C - OPERATING TEMPERATURE RANGE -40°C TO +85°C

PART NUMBER	RATED RMS Current Amps	INDUCTANCE @ 1KHz EACH WINDING (mH +/-30%)	DCR EACH WINDING (Ohms Max.)	PACKAGE
PM-OM501*	0.5	20.0	1.0	A
PM-OM502	3.0	1.0	0.035	B
PM-OM503	0.3	1.0	2.0	A
PM-OM504	1.5	0.10	0.080	C

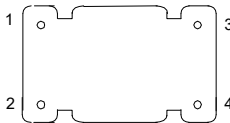
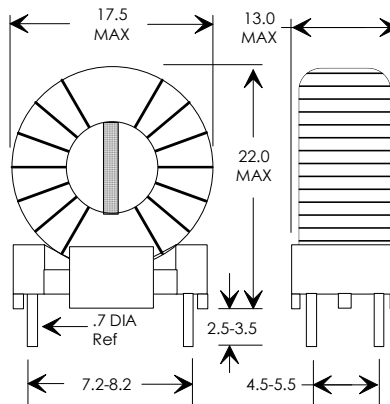
* the width = 9mm

MECHANICAL

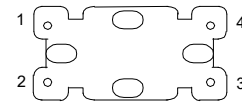
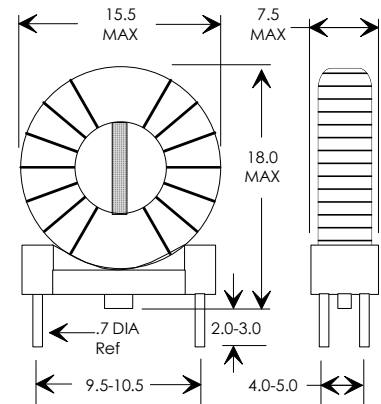
PACKAGE A



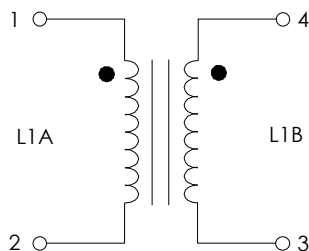
PACKAGE B



PACKAGE C



SCHEMATICS



Specifications subject to change without notice.

PM-OMxxx 03/21

EMI/RFI COMMON MODE INDUCTORS

RoHS

- * For High Frequency Power Supply Applications
- * 1250 Vrms Isolation Voltage
- * Vertical Mount

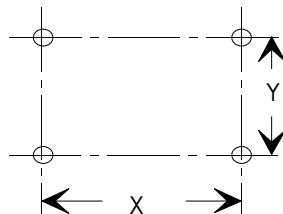
- * Custom Values Available
- * Industry Standard Package
- * Balanced Windings

ELECTRICAL SPECIFICATIONS AT 25°C - OPERATING TEMPERATURE RANGE -40°C TO +85°C

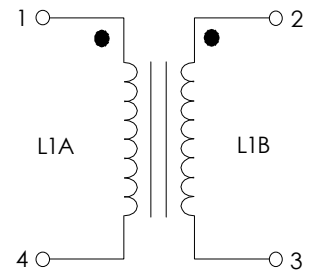
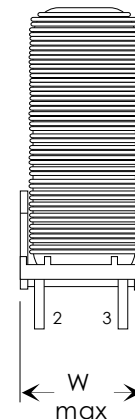
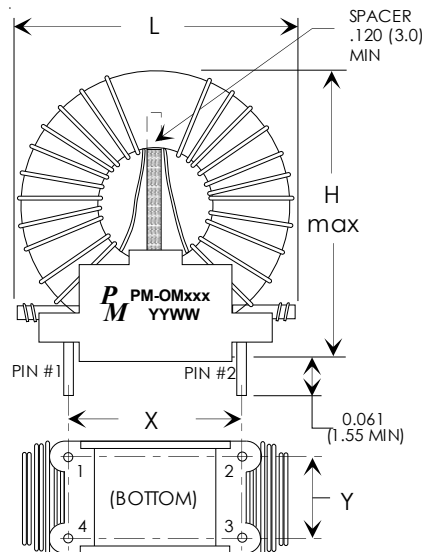
PART NUMBER	IND. (L_s) @15.75 KHz (mH Min)	CURRENT RATING (Arms)	LEAKAGE L_L (μ H Max.)	DCR Ohms (Max.)	REF. DIMENSIONS IN INCHES					
					H (Max)	L (Max)	W (Max)	X (\pm 0.01)	Y (\pm 0.01)	Lead Dia.
PM-OM601	30	2.3	350	0.33	1.45	1.35	0.825	0.90	0.60	0.054

MECHANICAL

SCHEMATICS



RECOMMENDED P.C.B. LAYOUT
Dimensions in inches

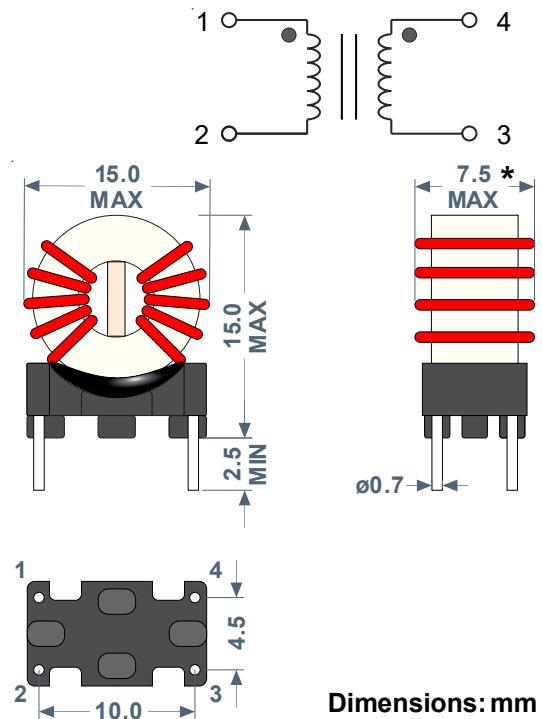


Nanocrystalline EMI/RFI COMMON MODE INDUCTORS

RoHS

PM-OM7xx common mode chokes are typically used in EMI filters within switch mode power supplies to suppress noise to-and-from the power line or the input side. This series is optimal in projects that need a small solution for high current applications.

- ◆ Nanocrystalline core.
- ◆ Small size to fit in tight spaces.
- ◆ High impedance.
- ◆ High current capable.
- ◆ Low resistance for low temperature rise.



Dimensions: mm

ELECTRICAL SPECIFICATIONS AT 25°C

PART NUMBER	L MIN (mH)	Idc (A)	DCR MAX (mΩ)	SRF (MHz)
PM-OM701	7.7	1.0	340	3
PM-OM702	5.6	1.2	240	4
PM-OM703	3.5	1.6	140	6
PM-OM704	1.1	2.4	60	10
PM-OM705	0.7	3.1	40	20
PM-OM706	0.35	4.7	20	40
PM-OM707	0.28	6.2	13	45

NOTES:

- 1) Idc is the current that typically leads to a temperature rise of 60°C.
 - 2) SRF is typical.
 - 3) Operating temperature range - 40°C to +155°C.
 - 4) HIPOT between windings 2,500V_{RMS}
- * PM-OM706 and PM-OM707 could reach a maximum width of 7.8mm.

- Applications: input and output filters, power electronics, common mode noise suppression
- Good isolation through plastic case and winding spacer
- Very high permeability nano-core material
- Rated Voltage at 250Vac
- High rated currents
- Frequency range: 1kHz to 300MHz
- 2500Vrms Hipot between windings
- UL94V-0 flammability rating
- Industry Standard Package
- Custom Values Available

ELECTRICAL SPECIFICATIONS AT 25°C - OPERATING TEMPERATURE RANGE -40°C TO +125°C

PART NUMBER	INDUCTANCE AT 10kHz (mH)		RATED CURRENT AT 60°C (A)	DCR MAXIMUM FOREACH WDG. (mΩ)	SRF TYPICAL (MHz)	PIN Ø (mm) TYP.
	TYPICAL	MINIMUM				
PM-OM801	1.0	0.5	16.0	3.3	13.0	1.19
PM-OM802	2.0	1.0	14.5	6.0	13.0	1.06
PM-OM803	9.0	4.5	7.7	28.0	1.15	0.76
PM-OM804	17.0	8.5	5.5	50.0	0.50	0.68
PM-OM805	33.0	16.5	3.8	90.0	0.35	0.54

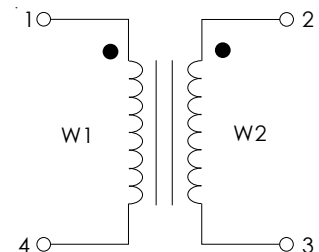
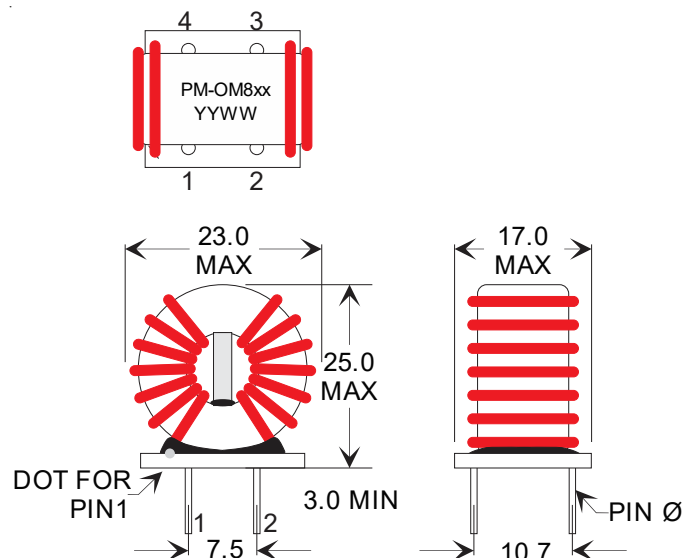
NOTES:

- 1) I_{dc} is the current that typically lead to a temperature rise of 60°C.
- 2) Operating temperature range - 40°C to +125°C.
- 3) HIPOT between windings 2,500V_{RMS}

PACKAGE

Physical Dimensions in mm

SCHEMATICS



- Applications: input and output filters, power electronics, common mode noise suppression
- Good isolation through plastic case and winding spacer
- Very high permeability nano-core material
- Rated Voltage at 250Vac
- High rated currents
- Frequency range: 1kHz to 300MHz
- 2500Vrms Hipot between windings
- UL94V-0 flammability rating
- Industry Standard Package
- Custom Values Available

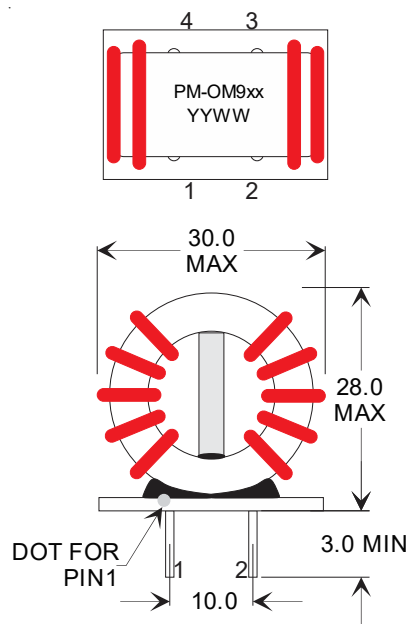
ELECTRICAL SPECIFICATIONS AT 25°C - OPERATING TEMPERATURE RANGE -40°C TO +125°C

PART NUMBER	INDUCTANCE AT 10kHz (mH)		RATED CURRENT AT 60°C (A)	DCR MAXIMUM FOREACH WDG. (mΩ)	SRF TYPICAL (MHz)	PIN Ø (mm) TYP.
	TYPICAL	MINIMUM				
PM-OM901	1.0	0.70	23.0	2.4	15.7	1.67
PM-OM902	1.5	1.05	21.0	3.2	12.7	1.49
PM-OM903	2.0	1.40	19.0	5.0	10.0	1.33
PM-OM904	4.0	2.80	13.2	8.5	5.7	1.19
PM-OM905	7.0	4.90	10.5	20.0	3.8	1.06

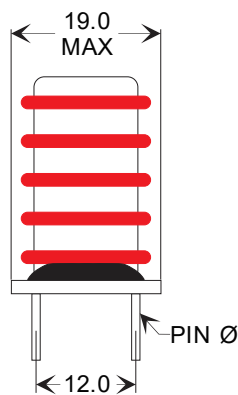
NOTES:

- 1) Idc is the current that typically lead to a temperature rise of 60°C.
- 2) Operating temperature range - 40°C to +125°C.
- 3) HIPOT between windings 2,500V_{RMS}

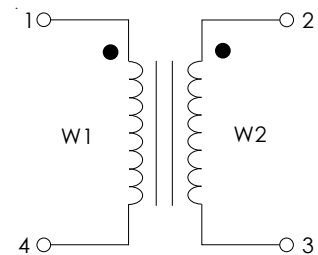
PACKAGE



Physical Dimensions in mm



SCHEMATICS



EMI/RFI COMMON MODE INDUCTORS

RoHS

CROSS REFERENCE LISTING

<u>PM PART</u>	<u>#X-REF NAME & PART#</u>		<u>PM PART</u>	<u>#X-REF NAME & PART#</u>	
PM-OM101	COILCRAFT	CMT1-5.0-1L	PM-OM301	COILCRAFT	CMT3-32-1L
PM-OM102	COILCRAFT	CMT1-8.0-1L	PM-OM302	COILCRAFT	CMT3-56-1L
PM-OM103	COILCRAFT	CMT1-15.0-1L	PM-OM303	COILCRAFT	CMT3-16-2L
PM-OM104	COILCRAFT	CMT1-2.5-2L	PM-OM304	COILCRAFT	CMT3-28-2L
PM-OM105	COILCRAFT	CMT1-4.0-2L	PM-OM305	COILCRAFT	CMT3-8-4L
PM-OM106	COILCRAFT	CMT1-7.5-2L	PM-OM306	COILCRAFT	CMT3-14-4L
PM-OM107	COILCRAFT	CMT1-1.3-4L	PM-OM307	COILCRAFT	CMT3-6.6-6L
PM-OM108	COILCRAFT	CMT1-2.1-4L	PM-OM308	COILCRAFT	CMT3-11.5-6L
PM-OM109	COILCRAFT	CMT1-3.7-4L	PM-OM309	COILCRAFT	CMT3-4-9L
PM-OM110	COILCRAFT	CMT1-1.0-6L	PM-OM310	COILCRAFT	CMT3-7-9L
PM-OM111	COILCRAFT	CMT1-1.7-6L	PM-OM311	COILCRAFT	CMT3-3-12L
PM-OM112	COILCRAFT	CMT1-3.0-6L	PM-OM312	COILCRAFT	CMT3-5.2-12L
PM-OM113	COILCRAFT	CMT1-0.6-9L	PM-OM313	COILCRAFT	CMT3-2.5-15L
PM-OM114	COILCRAFT	CMT1-1.1-9L	PM-OM314	COILCRAFT	CMT3-4.4-15L
PM-OM115	COILCRAFT	CMT1-1.9-9L			
PM-OM116	COILCRAFT	CMT1-0.5-12L	PM-OM401	COILCRAFT	CMT4-72-1L
PM-OM117	COILCRAFT	CMT1-0.8-12L	PM-OM402	COILCRAFT	CMT4-125-1L
PM-OM118	COILCRAFT	CMT1-1.4-12L	PM-OM403	COILCRAFT	CMT4-36-2L
PM-OM119	COILCRAFT	CMT1-0.3-15L	PM-OM404	COILCRAFT	CMT4-62.2L
PM-OM120	COILCRAFT	CMT1-0.6-15L	PM-OM405	COILCRAFT	CMT4-19-4L
PM-OM121	COILCRAFT	CMT1-1.1-15L	PM-OM406	COILCRAFT	CMT4-32-4L
			PM-OM407	COILCRAFT	CMT4-15-6L
PM-OM201	COILCRAFT	CMT2-7.5-1L	PM-OM408	COILCRAFT	CMT4-26-6L
PM-OM202	COILCRAFT	CMT2-13-1L	PM-OM409	COILCRAFT	CMT4-10-9L
PM-OM203	COILCRAFT	CMT2-3.8-2L	PM-OM410	COILCRAFT	CMT4-17-9L
PM-OM204	COILCRAFT	CMT2-6.5-2L	PM-OM411	COILCRAFT	CMT4-7.5-12L
PM-OM205	COILCRAFT	CMT2-1.9-4L	PM-OM412	COILCRAFT	CMT4-13-12L
PM-OM206	COILCRAFT	CMT2-3.3-4L	PM-OM413	COILCRAFT	CMT4-6-15L
PM-OM207	COILCRAFT	CMT2-1.5-6L	PM-OM414	COILCRAFT	CMT4-10-15L
PM-OM208	COILCRAFT	CMT2-2.6-6L			
PM-OM209	COILCRAFT	CMT2-0.9-9L			
PM-OM210	COILCRAFT	CMT2-1.5-9L			
PM-OM210	COILCRAFT	CMT2-0.7-12L			
PM-OM210	COILCRAFT	CMT2-1.2-12L			
PM-OM210	COILCRAFT	CMT2-0.5-15L			
PM-OM210	COILCRAFT	CMT2-0.8-15L			
PM-OM504	wurth	744841210			