

HIGH CURRENT TOROID INDUCTORS

Features

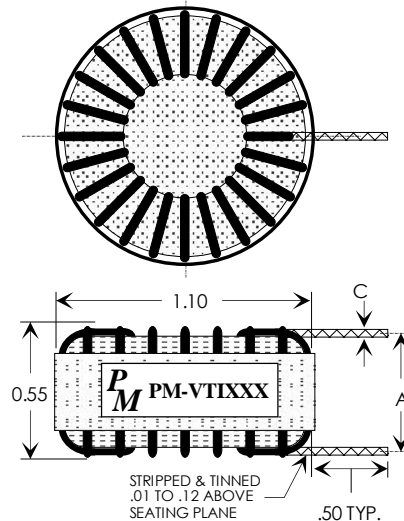
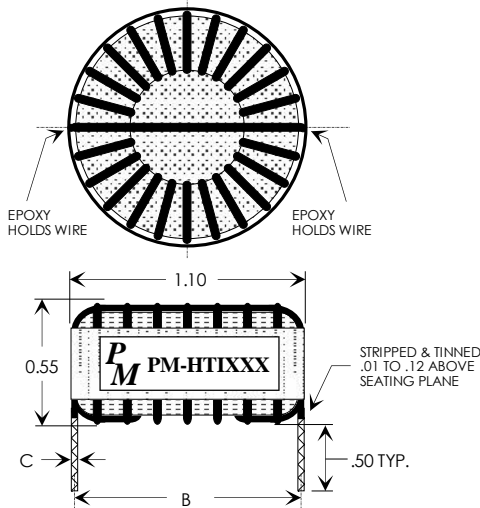
- * High Current Capacity
- * Low Core Loss and Low magnetic radiation.
- * Low Cost Self Lead Construction.
- * Horizontal or Vertical mount available.
- * Operating temp: -55°C to +125°C.

Applications

- * Switch mode power supplies.
- * Output chokes.
- * DC/DC converters.
- * Output filters.
- * EMI filters.

ELECTRICAL SPECIFICATIONS AT 25°C - OPERATING TEMPERATURE RANGE -55°C TO +125°C

PART NUMBER		L (-H) +/-15% @1KHz	Idc (A)	L (-H) +/-20% @Irated	DCR (Ohm) Max.	DIMENSIONS IN INCHES (TYP.)		
Horizontal	Vertical					A	B	C
PM-HTI100	PM-VTI100	10	14.3	6.0	0.006	0.47	1.05	0.053
PM-HTI120	PM-VTI120	12	14.2	6.9	0.006	0.47	1.05	0.053
PM-HTI150	PM-VTI150	15	13.6	8.3	0.007	0.47	1.05	0.053
PM-HTI180	PM-VTI180	18	13.1	9.7	0.007	0.47	1.05	0.053
PM-HTI220	PM-VTI220	22	12.6	12.0	0.008	0.47	1.05	0.053
PM-HTI270	PM-VTI270	27	11.8	14.0	0.009	0.47	1.05	0.053
PM-HTI330	PM-VTI330	33	11.1	16.0	0.010	0.47	1.05	0.053
PM-HTI390	PM-VTI390	39	10.8	18.0	0.011	0.47	1.05	0.053
PM-HTI470	PM-VTI470	47	10.3	21.0	0.012	0.47	1.05	0.053
PM-HTI560	PM-VTI560	56	9.8	24.0	0.013	0.47	1.05	0.053
PM-HTI680	PM-VTI680	68	7.6	34.0	0.022	0.45	1.03	0.042
PM-HTI820	PM-VTI820	82	7.1	39.0	0.024	0.45	1.03	0.042
PM-HTI101	PM-VTI101	100	6.8	46.0	0.027	0.45	1.03	0.042
PM-HTI121	PM-VTI121	120	5.1	63.0	0.047	0.43	1.01	0.034
PM-HTI151	PM-VTI151	150	4.9	76.0	0.052	0.43	1.01	0.034
PM-HTI181	PM-VTI181	180	4.7	89.0	0.057	0.43	1.01	0.034
PM-HTI221	PM-VTI221	220	4.4	103.0	0.063	0.43	1.01	0.034
PM-HTI271	PM-VTI271	270	4.2	121.0	0.070	0.43	1.01	0.034
PM-HTI331	PM-VTI331	330	4.0	142.0	0.077	0.43	1.01	0.034
PM-HTI391	PM-VTI391	390	3.8	161.0	0.084	0.43	1.01	0.034
PM-HTI471	PM-VTI471	470	3.7	186.0	0.092	0.43	1.01	0.034
PM-HTI561	PM-VTI561	560	3.5	212.0	0.101	0.43	1.01	0.034
PM-HTI681	PM-VTI681	680	2.7	308.0	0.176	0.47	0.99	0.027
PM-HTI821	PM-VTI821	820	2.5	356.0	0.194	0.47	0.99	0.027
PM-HTI102	PM-VTI102	1000	2.4	413.0	0.216	0.47	0.99	0.027



Specifications subject to change without notice.

05/19

HIGH CURRENT TOROID INDUCTORS

CROSSREFERENCE LIST

<u>PREMIER PART NO.</u>	<u>PREMIER PART NO.</u>	<u>REFERENCE PART NO.</u>
<u>HORIZONTAL</u>	<u>VERTICAL</u>	
PM-HTI100	PM-VTI100	BOURNS 2200LL-100-RC
PM-HTI120	PM-VTI120	BOURNS 2200LL-120-RC
PM-HTI150	PM-VTI150	BOURNS 2200LL-150-RC
PM-HTI180	PM-VTI180	BOURNS 2200LL-180-RC
PM-HTI220	PM-VTI220	BOURNS 2200LL-220-RC
PM-HTI270	PM-VTI270	BOURNS 2200LL-270-RC
PM-HTI330	PM-VTI330	BOURNS 2200LL-330-RC
PM-HTI390	PM-VTI390	BOURNS 2200LL-390-RC
PM-HTI470	PM-VTI470	BOURNS 2200LL-470-RC
PM-HTI560	PM-VTI560	BOURNS 2200LL-560-RC
PM-HTI680	PM-VTI680	BOURNS 2200LL-680-RC
PM-HTI820	PM-VTI820	BOURNS 2200LL-820-RC
PM-HTI101	PM-VTI101	BOURNS 2200LL-101-RC
PM-HTI121	PM-VTI121	BOURNS 2200LL-121-RC
PM-HTI151	PM-VTI151	BOURNS 2200LL-151-RC
PM-HTI181	PM-VTI181	BOURNS 2200LL-181-RC
PM-HTI221	PM-VTI221	BOURNS 2200LL-221-RC
PM-HTI271	PM-VTI271	BOURNS 2200LL-271-RC
PM-HTI331	PM-VTI331	BOURNS 2200LL-331-RC
PM-HTI391	PM-VTI391	BOURNS 2200LL-391-RC
PM-HTI471	PM-VTI471	BOURNS 2200LL-471-RC
PM-HTI561	PM-VTI561	BOURNS 2200LL-561-RC
PM-HTI681	PM-VTI681	BOURNS 2200LL-681-RC
PM-HTI821	PM-VTI821	BOURNS 2200LL-821-RC
PM-HTI102	PM-VTI102	BOURNS 2200LL-102-RC