

PM-PLCxx

Common Mode Power Line Chokes

RoHS

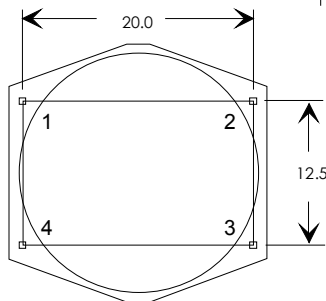
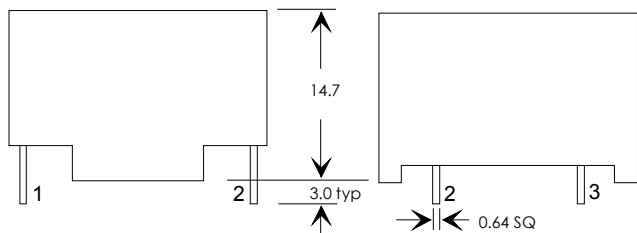
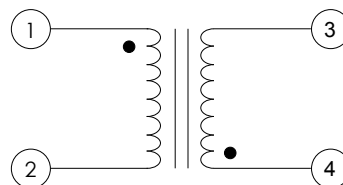
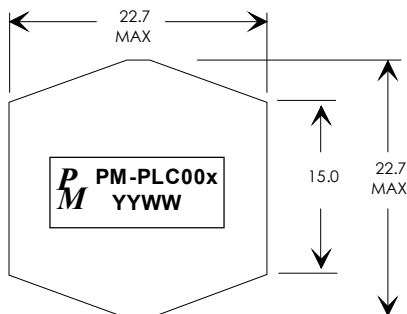
- * High Resonance Frequency
- * Storage Temp -25 to +40 °C.

- * Rated voltage = 250VAC (50/60Hz)
- * Meet RoHS Solder Reflow at 260C.
- * Turns Ratio 1:1.

ELECTRICAL SPECIFICATIONS AT 25°C

Part Number	OCL Each Winding @10KHz (mH ±30%)	I 50Hz & rate temp (A)	DCR Each Winding mΩ typ.	Temp (°C)	Isolation WDG to WDG VAC
PM-PLC001	47	.3	2500	+60	1500
PM-PLC002	27	.5	1200	+60	1500
PM-PLC003	10	1.0	480	+60	1500
PM-PLC004	6.8	1.3	230	+60	1500
PM-PLC005	4	1.7	175	+60	1500
PM-PLC006	2.2	2.0	130	+60	1500
PM-PLC007	1.7	2.5	80	+60	1500
PM-PLC008	1.2	3.0	56	+60	1500

DIMENSIONS mm



Specifications subject to change without notice.

pm-plc01/15

PM-PLCxx

Common Mode Power Line Chokes

- * High Resonance Frequency
- * Storage Temp -25 to + 125 °C.

RoHS

- * Rated voltage = 250VAC (50/60Hz)
- * Meet RoHS Solder Reflow at 260C.
- * Turns Ratio 1:1.

ELECTRICAL SPECIFICATIONS AT 25°C

Part Number	OCL Each Winding @10KHz (mH ±30%)	I 50Hz & rate temp (A)	DCR Each Winding mΩ typ.	Temp (°C)	Isolation WDG to WDG VAC
PM-PLC 051	47	.3	2500	+60	1500
PM-PLC 052	27	.5	1200	+60	1500
PM-PLC 053	10	1.0	480	+60	1500
PM-PLC 054	6.8	1.3	230	+60	1500
PM-PLC 055	4	1.7	175	+60	1500
PM-PLC 056	2.2	2.0	130	+60	1500
PM-PLC 057	1.7	2.5	80	+60	1500
PM-PLC 088	1.2	3.0	56	+60	1500

DIMENSIONS mm

