



# SURFACE MOUNT CHOKES COMMON MODE CHOKES

- \* MATERIAL MEET UL94V-0 RATING.
- \* FREQUENCY RANGE OF UP TO 1 MHz

## ELECTRICAL SPECIFICATIONS AT 25°C - OPERATING TEMPERATURE RANGE -30°C TO +130°C

PART NUMBER	IDC (Amps)	L WITH DC LDC(μH)	ET (V-μ sec)	L w/o DC (L <sub>o</sub> ) μH ±20%	DCR R <sub>DC</sub> (mΩ Max)	100 GAUSS ET100 (V- μSec)	1 Amp DC H <sub>i</sub> (Orsted)	DCR R <sub>N</sub> (M Ω NOM)	Package
PM-SMC001	1.40	6.20	1.33	7.0	70.0	0.94	21.9	60.3	P1
PM-SMC002	1.00	17.6	2.40	22.7	125	1.68	39.3	109	P1
PM-SMC003	1.40	29.7	4.60	35.3	166	4.12	23.2	141	P2
PM-SMC004	1.30	58.1	7.83	73.0	290	1.09	28.8	233	P3
PM-SMC005	0.94	114	10.0	167	380	8.97	50.5	330	P2
PM-SMC006	0.90	192	15.7	292	560	14.2	57.7	472	P3
PM-SMC007	0.72	383	23.5	672	862	21.3	86.5	750	P3
PM-SMC008	0.74	645	36.5	1134	1250	37.2	84.4	1040	P4
PM-SMC009	0.71	1070	54.4	1950	1700	56.9	95.7	1480	P5
PM-SMC010	3.4	1.01	0.532	1.10	11.0	0.37	8.74	12.5	P1
PM-SMC011	2.8	9.4	2.7	12.3	43.4	2.42	13.7	37.8	P2
PM-SMC012	2.7	16.2	4.29	21.9	63.0	3.88	15.8	54.7	P3
PM-SMC013	2.7	29.1	6.90	40.5	85.0	7.02	15.9	75.8	P4
PM-SMC014	2.6	50.0	10.5	72.9	133	11.0	18.5	115	P5
PM-SMC015	4.8	3.8	1.76	5.20	17.3	1.58	8.87	14.8	P2
PM-SMC016	5.4	5.1	2.51	7.5	17.7	2.27	9.25	14.3	P3
PM-SMC017	5.5	9.0	4.06	14.0	22.3	4.13	9.38	19.3	P4
PM-SMC018	5.1	16.1	6.27	25.9	32.0	6.55	11.0	30.3	P5
PM-SMC019	8.0	2.5	1.77	3.80	8.3	1.61	6.53	7.20	P3
PM-SMC020	7.8	4.9	3.04	7.9	12.4	3.10	7.03	10.5	P4
PM-SMC021	7.2	9.3	4.92	16.0	18.7	5.15	8.67	16.3	P5
PM-SMC022	11.5	1.32	1.33	2.10	4.0	1.20	4.90	3.39	P6
PM-SMC023	11.4	2.5	2.23	4.20	5.4	2.27	5.16	4.64	P7
PM-SMC024	10.4	4.7	3.58	8.4	8.3	3.75	6.30	7.18	P8
PM-SMC025	10.9	9.4	6.84	17.6	12.3	7.93	6.24	10.7	P9
PM-SMC026	14.3	0.81	1.035	1.25	2.5	0.94	381	2.16	P6
PM-SMC027	13.9	1.68	1.83	2.80	3.6	1.86	4.22	3.16	P7
PM-SMC028	12.4	3.5	3.13	6.5	6.6	3.28	5.52	5.75	P8
PM-SMC029	15.4	5.2	5.21	10.5	6.2	6.04	4.75	5.30	P9

INDUCTANCE MEASURED AT 1 MHz/200mv

Specifications subject to change without notice.

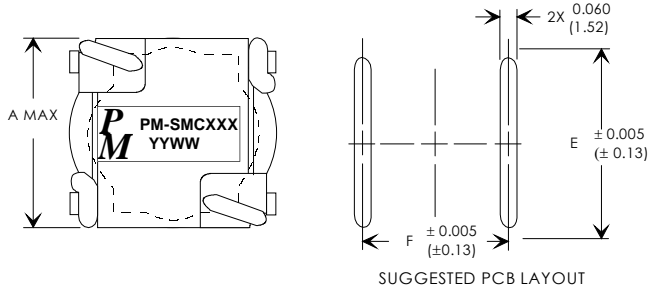
PM-SMCXXX 06/2019

20381 BARENTS SEA CIRCLE, LAKE FOREST, CA 92630 ☎ TEL: (949) 452-0511 ☎ FAX: (949) 452-0512 ☎ <http://www.premiermag.com>

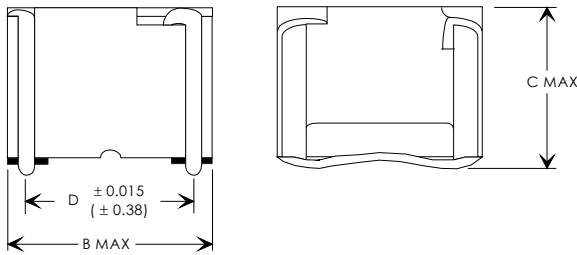
# SURFACE MOUNT CHOKES COMMON MODE CHOKES

**MECHANICAL**

**PM-SMCXXX**

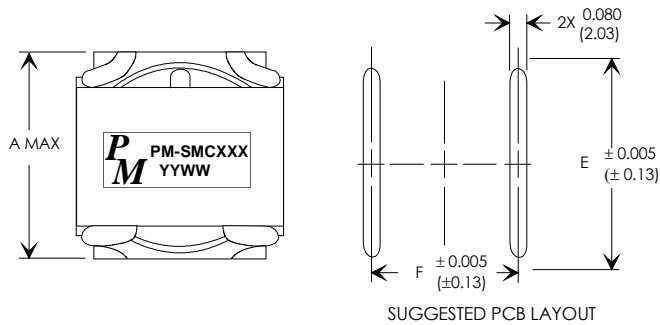


PKG		A	B	C	D	E	F
P1	inch	.340	.340	.270	.260	.300	.270
	mm	8.64	8.64	6.86	6.60	7.62	6.86
P2	inch	.435	.440	.360	.350	.400	.360
	mm	11.05	11.18	9.14	8.89	10.16	9.14
P3	inch	.560	.565	.360	.450	.520	.460
	mm	14.22	14.35	9.14	11.43	13.21	11.68
P4	inch	.590	.615	.390	.500	.550	.510
	mm	14.99	15.62	9.91	12.70	13.97	12.95
P5	inch	.670	.700	.390	.580	.620	.590
	mm	17.02	17.78	9.91	14.73	15.75	14.99

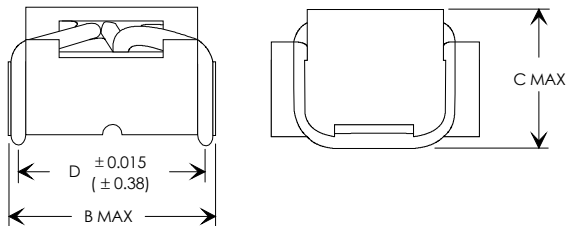


**MECHANICAL**

**PM-SMCXXX**



PKG		A	B	C	D	E	F
P6	inch	.615	.600	.370	.500	.440	.500
	mm	15.62	15.24	9.40	12.70	11.18	12.70
P7	inch	.665	.665	.390	.560	.490	.570
	mm	16.89	16.89	9.91	14.22	12.45	14.48
P8	inch	.740	.740	.390	.630	.560	.640
	mm	18.80	18.80	9.91	16.00	14.22	16.26
P9	inch	.940	.940	.400	.820	.700	.830
	mm	23.88	23.88	10.16	20.83	17.78	21.08



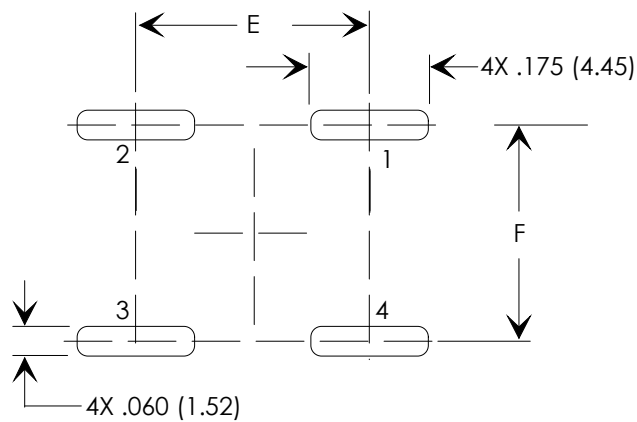
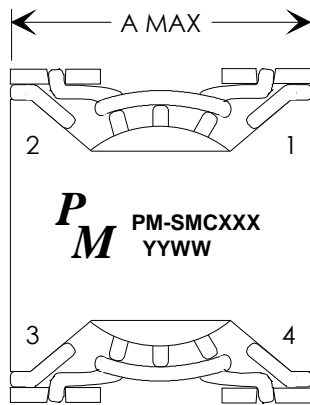
# SURFACE MOUNT CHOKES COMMON MODE CHOKES

**RoHS**

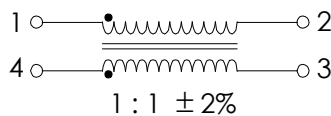
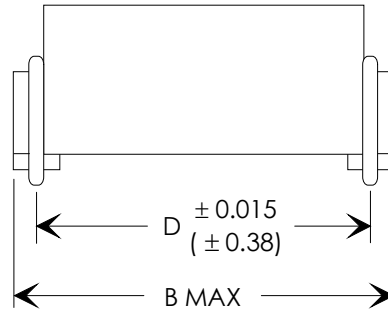
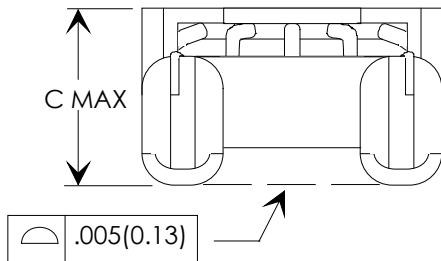
- \* MATERIAL MEET UL94V-0 RATING.
- \* RATED VOLTAGE 250Vac.
- \* PICK AND PLACE COMPATIBLE.

**ELECTRICAL SPECIFICATIONS AT 25°C - OPERATING TEMPERATURE RANGE -30°C TO +130°C**

PART NUMBER	I RMS (Amps)	INDUCTANCE (mH ±30%)	DCR (mΩ Max)	SRF (MHz)	SIZE (LCCI)	WEIGHT (GRAMS)	Package
PM-SMC201	3.6	1.0	50	4	LCCI-C5	5.3	C5
PM-SMC202	1.50	1.0	60	2	LCCI-C3	2.5	C3
PM-SMC203	2.50	3.0	80	2.2	LCCI-C5	5.3	C5
PM-SMC204	1.00	10.0	450	0.5	LCCI-C3	2.4	C3
PM-SMC205	0.50	22.0	850	0.3	LCCI-C3	2.4	C3



SUGGESTED PCB LAYOUT



PKG		A	B	C	D	E	F
C3	inch	.560	.645	.350	.520	.340	.530
	mm	14.22	16.38	8.89	13.21	8.64	13.46
C5	inch	.670	.770	.390	.650	.445	.660
	mm	17.02	19.56	9.91	16.51	11.30	16.76

# SURFACE MOUNT CHOKES COMMON MODE CHOKES

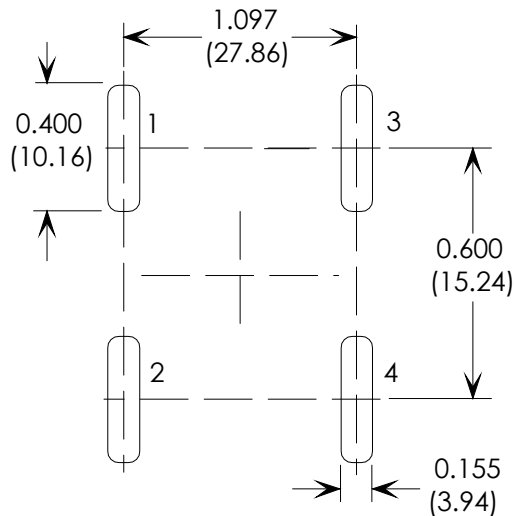
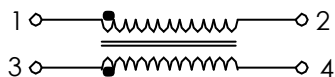
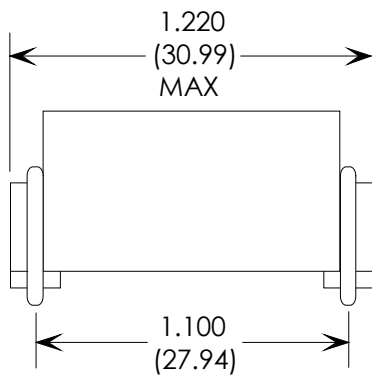
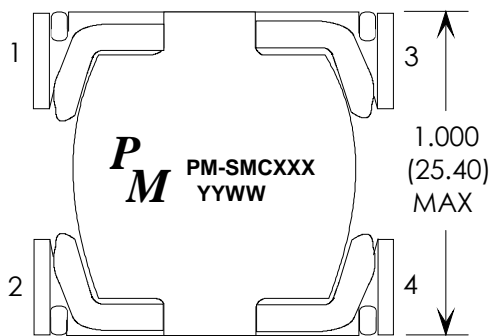
- \* Designed for DC/DC converters.
- \* Wide variety of inductor sizes and current.
- \* Dielectric Strength: 500 Vrms.

**ELECTRICAL SPECIFICATIONS AT 25°C - OPERATING TEMPERATURE RANGE -40°C TO +120°C**

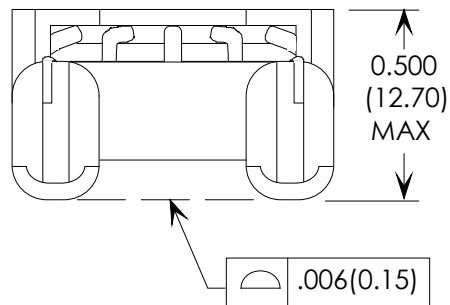
PART NUMBER	Inductance (mH ±35%)	I RMS (Amps)	Leakage Ind. (μH Nom)	DCR (mΩ Max)	WEIGHT (GRAMS)	Package
PM-SMC251	0.473	14.0	4.531	8	14.8	B1
PM-SMC252	0.630	11.6	5.482	10	14.8	B1
PM-SMC253	0.809	9.70	7.408	14	14.8	B1

**MECHANICAL**

**PCB LAYOUT**



**SUGGESTED PCB LAYOUT**



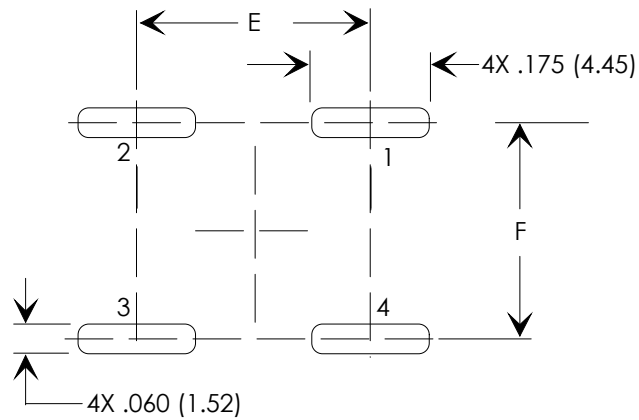
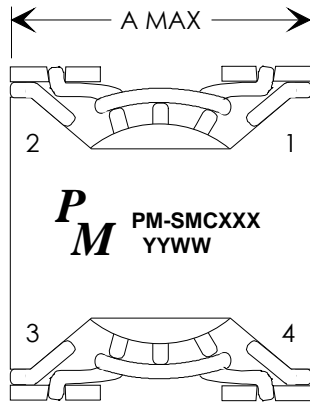
# SURFACE MOUNT CHOKES COMMON MODE CHOKES

**RoHS**

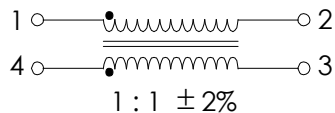
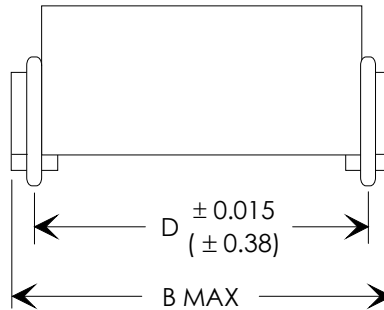
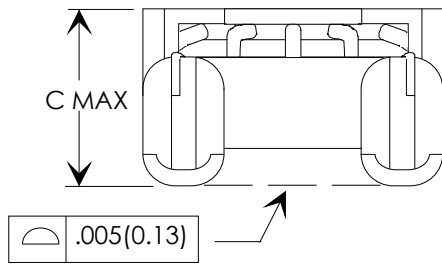
- \* MATERIAL MEET UL94V-0 RATING.
- \* RATED VOLTAGE 250Vac.
- \* PICK AND PLACE COMPATIBLE.

## ELECTRICAL SPECIFICATIONS AT 25°C - OPERATING TEMPERATURE RANGE -30°C TO +130°C

PART NUMBER	INDUCTANCE (μH MIN)	LEAKAGE INDUCTANCE (μH MAX) (100kHz, 0.1V)	DCR (mΩ MAX)	I RMS (AMPS)	HIPOT (Vac)	PACKAGE
PM-SMC301	42.3	0.79	3.0	11.9	1500	C6



SUGGESTED PCB LAYOUT



PKG		A	B	C	D	E	F
C6	inch	.560	.640	.358	.520	.340	.530
	mm	14.22	16.26	9.10	13.21	8.63	13.46



# SURFACE MOUNT CHOKES COMMON MODE CHOKES

## CROSS REFERENCE LISTING

<u>PREMIER PART#</u>	<u>X-REF NAME &amp; PART#</u>
PM-SMC001	PULSE: PE-53600
PM-SMC002	PULSE: PE-53601
PM-SMC003	PULSE: PE-53602
PM-SMC004	PULSE: PE-53604
PM-SMC005	PULSE: PE-53606
PM-SMC006	PULSE: PE-53608
PM-SMC007	PULSE: PE-53611
PM-SMC008	PULSE: PE-53613
PM-SMC009	PULSE: PE-53614
PM-SMC010	PULSE: PE-53630
PM-SMC011	PULSE: PE-53631
PM-SMC012	PULSE: PE-53632
PM-SMC013	PULSE: PE-53633
PM-SMC014	PULSE: PE-53634, SCHOTT: 25556
PM-SMC015	PULSE: PE-53650
PM-SMC016	PULSE: PE-53651
PM-SMC017	PULSE: PE-53652
PM-SMC018	PULSE: PE-53653
PM-SMC019	PULSE: PE-53661
PM-SMC020	PULSE: PE-53662
PM-SMC021	PULSE: PE-53663
PM-SMC022	PULSE: PE-53680
PM-SMC023	PULSE: PE-53681
PM-SMC024	PULSE: PE-53682
PM-SMC025	PULSE: PE-53683
PM-SMC026	PULSE: PE-53690
PM-SMC027	PULSE: PE-53691
PM-SMC028	PULSE: PE-53692
PM-SMC029	PULSE: PE-53700
PM-SMC201	PULSE: PE-53910
PM-SMC202	PULSE: PE-53911
PM-SMC203	PULSE: PE-53912
PM-SMC204	PULSE: PE-53913
PM-SMC205	PULSE: PE-53914
PM-SMC251	PULSE: P0502
PM-SMC252	PULSE: P0469
PM-SMC253	PULSE: P0429
PM-SMC301	WEST COAST MAGNETICS: 503-7