



MIL-STD-1553 / MIL-PRF-21038
DATABUS INTERFACE TRANSFORMERS
LOW PROFILE SINGLE/DUAL
ADD "+" ON P/N FOR RoHS COMPLIANCE

- * Designed to Meet MIL-STD-1553 A/B & MIL-PRF-21038
- * Common Mode Rejection (CMR) Greater Than 45dB
- * Impedance Test Frequency from 75Khz to 1MHz
- * Droop Less Than 20%
- * Overshoot & Ringing ±1V Max
- * Pulse Width 2 μS
- * **For Non-RoHS**, reflow process must not cause the peak body temperature of the device to exceed 225°C and must not expose the device to temperature above 183°C for more than 90 seconds.
- * **For RoHS (+)**, reflow process must not cause the peak body temperature of the device to exceed 245°C and must not expose the device to temperature above 217°C for more than 150 seconds.

ELECTRICAL SPECIFICATIONS AT 25°C

PART NUMBER	TERMINALS / RATIO (±3%)		TERMINALS / RATIO (±3%)		DCR (Ohms Max.)	IMPEDANCE (Ohms MIN.)	SCHEMATICS / PACKAGE
PM-DB2701	1-3-4-8	1:1	1-3-5-7	1:.707	1-3=3.0, 4-8=3.0	4000	1/A
PM-DB2701EX	1-3-4-8	1:1	1-3-5-7	1:.707	1-3=3.0, 4-8=3.0	4000	1/G
PM-DB2702	1-3-4-8	1.4:1	1-3-5-7	2:1	1-3=3.5, 4-8=3.0	7200	1/A
PM-DB2703	1-3-4-8	1.25 : 1	1-3-5-7	1.66:1	1-3=3.2, 4-8=3.0	4000	1/A
PM-DB2704	4-8-1-3	2.3:1	5-7-1-3	3.2:1	1-3=1.2, 4-8=3.0	3000	4/A
PM-DB2705	1-2-4-3	1:1.41	---	---	1-2=2.2, 3-4=2.7	3000	3/C
PM-DB2705EX	1-2-3-4	1:1.41	---	---	1-2=2.2, 3-4=2.7	3000	5/F
PM-DB2706	1-5-6-2	1:1	---	---	1-5=2.5, 6-2=2.8	3000	2/B
PM-DB2707	1-5-6-2	1:1.41	---	---	1-5=2.2, 6-2=2.7	3000	2/B
PM-DB2708	1-5-6-2	1:1.66	---	---	1-5=1.5, 6-2=2.4	3000	2/B
PM-DB2709	1-5-6-2	1:2	---	---	1-5=1.3, 6-2=2.6	3000	2/B
PM-DB2710	1-3-4-8	1:2.12	1-3-5-7	1:1.5	1-3=1.0, 4-8=3.5	4000	1/A
PM-DB2711	1-3-4-8	1:1	1-3-5-7	1:.707	1-3=3.0, 4-8=3.0	4000	1/D
PM-DB2712	1-3-4-8	1.4:1	1-3-5-7	2:1	1-3=3.5, 4-8=3.0	7200	1/D
PM-DB2713	1-3-4-8	1.25:1	1-3-5-7	1.66:1	1-3=3.2, 4-8=3.0	4000	1/D
PM-DB2714	4-8-1-3	2.3:1	5-7-1-3	3.2:1	1-3=1.2, 4-8=3.0	3000	4/D
PM-DB2715	1-3-4-8	1:2.12	1-3-5-7	1:1.5	1-3=1.0, 4-8=3.5	4000	1/D
PM-DB2716	1-3-4-8	1:1	1-3-5-7	1:.707	1-3=3.0, 4-8=3.0	4000	1/E
PM-DB2717	1-3-4-8	1.41:1	1-3-5-7	2:1	1-3=3.5, 4-8=3.0	7200	1/E
PM-DB2718	1-3-4-8	1.25:1	1-3-5-7	1.66:1	1-3=3.2, 4-8=3.0	4000	1/E
PM-DB2719	4-8-1-3	2.3:1	5-7-1-3	3.2:1	1-3=1.2, 4-8=3.0	3000	1/E
PM-DB2720	1-3-4-8	1:2.12	1-3-5-7	1:1.5	1-3=1.0, 4-8=3.5	3000	1/E
PM-DB2721	1-3-4-8	1:1	1-3-5-7	1:.707	1-3=3.0, 4-8=3.0	4000	1/A
PM-DB2722	1-3-4-8	1.41:1	1-3-5-7	2:1	1-3=3.5, 4-8=3.0	7200	1/A
PM-DB2723	1-3-4-8	1.25:1	1-3-5-7	1.66:1	1-3=3.2, 4-8=3.0	4000	1/A
PM-DB2724	1-3-4-8	1:2.12	1-3-5-7	1:1.5	1-3=1.0, 4-8=3.5	4000	1/A
PM-DB2725	1-3-4-8	1:2.5	1-3-5-7	1:1.79	1-3=1.0, 4-8=3.5	4000	1/A
PM-DB2725R	1-3-4-8	1:2.5	1-3-5-7	1:1.79	1-3=1.0, 4-8=3.5	4000	16/AD
PM-DB2725EX	1-3-4-8	1:2.5	1-3-5-7	1:1.79	1-3=1.0, 4-8=3.5	4000	1/G
PM-DB2726	1-3-4-8	1:2.5	1-3-5-7	1:1.79	1-3=1.0, 4-8=3.5	4000	1/A
PM-DB2727	1-3-4-8	1:2.5	1-3-5-7	1:1.79	1-3=1.0, 4-8=3.5	4000	1/D
PM-DB2728	1-5-6-2	1:1.5	---	---	1-5=0.9, 6-2=2.5	3000	2/B
PM-DB2729	1-5-6-2	1:1.79	---	---	1-5=0.9, 6-2=2.5	3000	2/B
PM-DB2730	1-5-6-2	1:2.5	---	---	1-5=1.0, 6-2=2.8	3000	2/B
PM-DB2731	1-3-4-8	1:2.5	1-3-5-7	1:1.79	1-3=1.0, 4-8=3.5	4000	1/E
PM-DB2755	1-3-4-8	1:3.75	1-3-5-7	1:2.70	1-3=1.0, 4-8=4.0	4000	1/G

Specifications subject to change without notice.

06/2018



**MIL-STD-1553 / MIL-PRF-21038
DATABUS INTERFACE TRANSFORMERS
LOW PROFILE SINGLE/DUAL
ADD "+" ON P/N FOR RoHS COMPLIANCE**

PART NUMBER	TERMINALS / RATIO (±3%)		TERMINALS / RATIO (±3%)		DCR (Ohms Max.)	IMPEDANCE (Ohms MIN.)	SCHEMATICS / PACKAGE
PM-DB2759 (1)	1-5:6-2	1:1.79	-	-	1-5=0.9, 6-2=2.5	3000	2/U
PM-DB2760 (1)	1-5:6-2	1:2.5	-	-	1-5=1.0, 6-2=2.8	3000	2/U
PM-DB2785S	1-3:16-13	1:2.5	1-3:15-14	1:1.79	1-3=1.0, 16-13=3.5	4000	6/S
	5-7:12-9	1:2.5	5-7:11-10	1:1.79	5-7=1.0, 12-9=3.5	4000	
PM-DB2790T	1-3:7-5	1:2.7	-	-	1-3=0.25, 5-7=2.0	2000	18/A
PM-DB2701F	1-3:4-8	1:1	1-3:5-7	1:0.707	1-3=3.0, 4-8=3.0	4000	1/A
PM-DB2702F	1-3:4-8	1.41:1	1-3:5-7	2:1	1-3=3.5, 4-8=3.0	7200	1/A
PM-DB2703F	1-3:4-8	1.25:1	1-3:5-7	1.66:1	1-3=3.2, 4-8=3.0	4000	1/A
PM-DB2705F	1-2:4-3	1:1.41	-	-	1-2=2.2, 3-4=2.7	3000	3/C
PM-DB2710F	4-8:1-3	2.12:1	5-7:1-3	1.5:1	1-3=1.0, 4-8=3.5	4000	1/A
PM-DB2725F	1-3:4-8	1:2.5	1-3:5-7	1:1.79	1-3=1.0, 4-8=3.5	4000	1/A
PM-DB2793T	1-3:7-5	1:2.5	-	-	1-3=0.25, 5-7=2.0	2000	18/A
PM-DB27016	1-4:2-5	1:1	2-5:3-6	1:1	1-4=2-5=3-6=3.5	-	-
PM-DB27100	1-3:4-8	1:2.5	1-3:5-7	1:1.79	1-3=1.0, 4-8=3.5	4000	1/M
PM-DB27101	1-3:4-8	1:2.5	1-3:5-7	1:1.79	1-3=1.0, 4-8=3.5	4000	1/W
PM-DB27200	1-3:16-13	1:2.5	1-3:15-14	1:1.79	1-3=1.0, 16-13=3.5	4000	6/T
	5-7:12-9	1:2.5	5-7:11-10	1:1.79	5-7=1.0, 12-9=3.5	4000	
PM-DB27255	1-3:16-13	1:2.5	1-3:15-14	1:1.79	1-3=1.0, 16-13=3.5	4000	6/X
	5-7:12-9	1:2.5	5-7:11-10	1:1.79	5-7=1.0, 12-9=3.5	4000	
PM-DB27438	1-3:4-8	1:2.50	1-3:5-7	1:1.79	1-3=3.5, 4-8=4.0	3000	7/AE
	11-13:14-18	1:2.50	11-13:15-17	1:1.79	11-13=3.5, 14-18=4.0		

(1) OPERATING TEMPERATURE RANGE FROM -40C TO +130C

PART NUMBER	TERMINALS / RATIO (±3%)		TERMINALS / RATIO (±3%)		DCR (Ohms Max.)	IMPEDANCE (Ohms MIN.)	IMPEDANCE (Ohms MIN.)	SCHEMATICS / PACKAGE
						75kHz-249kHz	250kHz-1MHz	
PM-DB2790S	1-3:4-8	1:3.75	-	-	1-3=.25, 4-8=3.0	4000	4000	9/V
PM-DB2791S	1-3:4-8	1:2.5	-	-	1-3=1.5, 4-8=3.0	3000	4000	9/V
PM-DB2792S	1-3:5-7	1:2.7	-	-	1-3=.25, 5-7=2.0	2000	3000	10/V
PM-DB2793S	1-3:5-7	1:2.5	-	-	1-3=.25, 5-7=2.0	2000	3000	10/V
PM-DB2794S	1-3:5-7	1:2.65	-	-	1-3=.29, 5-7=1.1	2000	4000	10/V
PM-DB2795S	1-3:5-7	1:1.79	-	-	1-3=1.5, 5-7=2.5	2000	4000	10/V
PM-DB2798S	1-3:4-8	1:2.5	1-3:5-7	1:1.79	1-3=2.0, 4-8=3.5	4000	4000	11/V
PM-DB27150	1-3:7-5	1:2.07	-	-	1-3=0.29, 7-5=1.1	2000	4000	18/A
PM-DB27304	1-3:5-7	1:1.79	-	-	1-3=1.5, 5-7=2.5	3000	4000	10/V
PM-DB27501S	1-3:4-8	1:2.65	1-3:4-6	1:2.07	1-3=2.0, 4-8=3.5	1000	2000	11/AF
PM-DB27502S	1-3:4-8	1:2.12	1-3:4-6	1:1.5	1-3=2.0, 4-8=3.5	800	1500	11/AF
PM-DB27503S	1-3:4-8	1:2.5	1-3:4-6	1:1.79	1-3=2.0, 4-8=3.5	800	1500	11/AF



**MIL-STD-1553 / MIL-PRF-21038
 DATABUS INTERFACE TRANSFORMERS
 LOW PROFILE SINGLE/DUAL
 ADD "+" ON P/N FOR RoHS COMPLIANCE**

LOW PROFILE SINGLE CORE HT = 0.155"

PART NUMBER	TERMINALS / RATIO (± 3%)		TERMINALS / RATIO (± 3%)		DCR (Ohms Max.)	IMPEDANCE (Ohms MIN.)	SCHEMATICS / PACKAGE
	1-3:4-8	1:1	1-3:5-7	1:1.707			
PM-DB2741	1-3:4-8	1:1	1-3:5-7	1:1.707	1-3=3.0, 4-8=3.0	4000	1/K
PM-DB2742	1-3:4-8	1.4:1	1-3:5-7	2:1	1-3=3.5, 4-8=3.0	7200	1/K
PM-DB2743	1-3:4-8	1.25:1	1-3:5-7	1.66:1	1-3=3.2, 4-8=3.0	4000	1/K
PM-DB2744	1-3:4-8	1:2.12	1-3:5-7	1:1.5	1-3=1.0, 4-8=3.5	4000	1/K
PM-DB2745	1-3:4-8	1:2.5	1-3:5-7	1:1.79	1-3=1.0, 4-8=3.5	4000	1/K

PART NUMBER	TERMINALS / RATIO (± 3%)		TERMINALS / RATIO (± 3%)		DCR (Ohms Max.)	IMPEDANCE (Ohms MIN.)	SCHEMATICS / PACKAGE
	1-3:4-8	1:1	1-3:5-7	1:1.707			
PM-DB2741L	1-3:4-8	1:1	1-3:5-7	1:1.707	1-3=3.0, 4-8=3.0	4000	1/L
PM-DB2742L	1-3:4-8	1.4:1	1-3:5-7	2:1	1-3=3.5, 4-8=3.0	7200	1/L
PM-DB2743L	1-3:4-8	1.25:1	1-3:5-7	1.66:1	1-3=3.2, 4-8=3.0	4000	1/L
PM-DB2744L	1-3:4-8	1:2.12	1-3:5-7	1:1.5	1-3=1.0, 4-8=3.5	4000	1/L
PM-DB2745L	1-3:4-8	1:2.5	1-3:5-7	1:1.79	1-3=1.0, 4-8=3.5	4000	1/L

PART NUMBER	TERMINALS / RATIO (± 3%)		TERMINALS / RATIO (± 3%)		DCR (Ohms Max.)	IMPEDANCE (Ohms MIN.)	SCHEMATICS / PACKAGE
	1-3:4-8	1:1	1-3:5-7	1:1.707			
PM-DB2741M	1-3:4-8	1:1	1-3:5-7	1:1.707	1-3=3.0, 4-8=3.0	4000	1/M
PM-DB2742M	1-3:4-8	1.4:1	1-3:5-7	2:1	1-3=3.5, 4-8=3.0	7200	1/M
PM-DB2743M	1-3:4-8	1.25:1	1-3:5-7	1.66:1	1-3=3.2, 4-8=3.0	4000	1/M
PM-DB2744M	1-3:4-8	1:2.12	1-3:5-7	1:1.5	1-3=1.0, 4-8=3.5	4000	1/M
PM-DB2745M	1-3:4-8	1:2.5	1-3:5-7	1:1.79	1-3=1.0, 4-8=3.5	4000	1/M

PART NUMBER	TERMINALS / RATIO (± 3%)		TERMINALS / RATIO (± 3%)		DCR (Ohms Max.)	IMPEDANCE (Ohms MIN.)	SCHEMATICS / PACKAGE
	1-3:4-8	1:1	1-3:5-7	1:1.707			
PM-DB2741N	1-3:4-8	1:1	1-3:5-7	1:1.707	1-3=3.0, 4-8=3.0	4000	1/N
PM-DB2742N	1-3:4-8	1.4:1	1-3:5-7	2:1	1-3=3.5, 4-8=3.0	7200	1/N
PM-DB2743N	1-3:4-8	1.25:1	1-3:5-7	1.66:1	1-3=3.2, 4-8=3.0	4000	1/N
PM-DB2744N	1-3:4-8	1:2.12	1-3:5-7	1:1.5	1-3=1.0, 4-8=3.5	4000	1/N
PM-DB2745N	1-3:4-8	1:2.5	1-3:5-7	1:1.79	1-3=1.0, 4-8=3.5	4000	1/N



**MIL-STD-1553 / MIL-PRF-21038
 DATABUS INTERFACE TRANSFORMERS
 LOW PROFILE SINGLE/DUAL
 ADD "+" ON P/N FOR RoHS COMPLIANCE**

LOW PROFILE DUAL CORE HT = 0.155"

PART NUMBER	TERMINALS	RATIO (± 3%)	TERMINALS	RATIO (± 3%)	DCR (Ohms Max.)	IMPEDANCE (Ohms MIN.)	SCHEMATICS / PACKAGE
PM-DB2741D	1-3:16-13	1:1	1-3:15-14	1:1.707	1-3=3.0, 16-13=3.0	4000	6/R
	5-7:12-9	1:1	5-7:11-10	1:1.707	5-7=3.0, 12-9=3.0	4000	
PM-DB2742D	1-3:16-13	1.4:1	1-3:15-14	2:1	1-3=3.5, 16-13=3.0	7200	6/R
	5-7:12-9	1.4:1	5-7:11-10	2:1	5-7=3.5, 12-9=3.0	7200	
PM-DB2743D	1-3:16-13	1.25:1	1-3:15-14	1.66:1	1-3=3.2, 16-13=3.0	4000	6/R
	5-7:12-9	1.25:1	5-7:11-10	1.66:1	5-7=3.2, 12-9=3.0	4000	
PM-DB2744D	1-3:16-13	1:2.12	1-3:15-14	1:1.5	1-3=1.0, 16-13=3.1	4000	6/R
	5-7:12-9	1:2.12	5-7:11-10	1:1.5	5-7=1.0, 12-9=3.1	4000	
PM-DB2745D	1-3:16-13	1:2.5	1-3:15-14	1:1.79	1-3=1.0, 16-13=3.5	4000	6/R
	5-7:12-9	1:2.5	5-7:11-10	1:1.79	5-7=1.0, 12-9=3.5	4000	

PART NUMBER	TERMINALS	RATIO (± 3%)	TERMINALS	RATIO (± 3%)	DCR (Ohms Max.)	IMPEDANCE (Ohms MIN.)	SCHEMATICS / PACKAGE
PM-DB2741S	1-3:16-13	1:1	1-3:15-14	1:1.707	1-3=3.0, 16-13=3.0	4000	6/S
	5-7:12-9	1:1	5-7:11-10	1:1.707	5-7=3.0, 12-9=3.0	4000	
PM-DB2742S	1-3:16-13	1.4:1	1-3:15-14	2:1	1-3=3.5, 16-13=3.0	7200	6/S
	5-7:12-9	1.4:1	5-7:11-10	2:1	5-7=3.5, 12-9=3.0	7200	
PM-DB2743S	1-3:16-13	1.25:1	1-3:15-14	1.66:1	1-3=3.2, 16-13=3.0	4000	6/S
	5-7:12-9	1.25:1	5-7:11-10	1.66:1	5-7=3.2, 12-9=3.0	4000	
PM-DB2744S	1-3:16-13	1:2.12	1-3:15-14	1:1.5	1-3=1.0, 16-13=3.1	4000	6/S
	5-7:12-9	1:2.12	5-7:11-10	1:1.5	5-7=1.0, 12-9=3.1	4000	
PM-DB2745S	1-3:16-13	1:2.5	1-3:15-14	1:1.79	1-3=1.0, 16-13=3.5	4000	6/S
	5-7:12-9	1:2.5	5-7:11-10	1:1.79	5-7=1.0, 12-9=3.5	4000	

Specifications subject to change without notice.

06/2018



**MIL-STD-1553 / MIL-PRF-21038
 DATABUS INTERFACE TRANSFORMERS
 LOW PROFILE SINGLE/DUAL
 ADD "+" ON P/N FOR RoHS COMPLIANCE**

LOW PROFILE DUAL CORE HT = 0.155"

PART NUMBER	TERMINALS / RATIO (± 3%)		TERMINALS / RATIO (± 3%)		DCR (Ohms Max.)	IMPEDANCE (Ohms MIN.)	SCHEMATICS / PACKAGE
PM-DB2741T	1-3:16-13	1:1	1-3:15-14	1:1.707	1-3=3.0, 16-13=3.0	4000	6/T
	5-7:12-9	1:1	5-7:11-10	1:1.707	5-7=3.0, 12-9=3.0	4000	
PM-DB2742T	1-3:16-13	1.4:1	1-3:15-14	2:1	1-3=3.5, 16-13=3.0	7200	6/T
	5-7:12-9	1.4:1	5-7:11-10	2:1	5-7=3.5, 12-9=3.0	7200	
PM-DB2743T	1-3:16-13	1.25:1	1-3:15-14	1.66:1	1-3=3.2, 16-13=3.0	4000	6/T
	5-7:12-9	1.25:1	5-7:11-10	1.66:1	5-7=3.2, 12-9=3.0	4000	
PM-DB2744T	1-3:16-13	1:2.12	1-3:15-14	1:1.5	1-3=1.0, 16-13=3.1	4000	6/T
	5-7:12-9	1:2.12	5-7:11-10	1:1.5	5-7=1.0, 12-9=3.1	4000	
PM-DB2745T	1-3:16-13	1:2.5	1-3:15-14	1:1.79	1-3=1.0, 16-13=3.5	4000	6/T
	5-7:12-9	1:2.5	5-7:11-10	1:1.79	5-7=1.0, 12-9=3.5	4000	

DUAL CORE HT = 0.250"

PART NUMBER	TERMINALS / RATIO (± 3%)		TERMINALS / RATIO (± 3%)		DCR (Ohms Max.)	IMPEDANCE (Ohms MIN.)	SCHEMATICS / PACKAGE
PM-DB27401	1-3:4-8	2:5	1-3:5-7	4:7	1-3=3.5 11-13=3.5	3000	7/H (.250)
	11-13:14-18	2:5	11-13:15-17	4:7	4-8=3.0 14-18=3.0	3000	
PM-DB27402	1-3:4-8	1:0.83	1-3:5-7	1:0.6	1-3=3.0 11-13=3.0	3000	7/H (.250)
	11-13:14-18	1:0.83	11-13:15-17	1:0.6	4-8=3.0 14-18=3.0	3000	
PM-DB27403	1-3:4-8	1.4:1	1-3:5-7	2:1	1-3=3.5 11-13=3.5	7200	7/H (.250)
	11-13:14-18	1.4:1	11-13:15-17	2:1	4-8=3.0 14-18=3.0	7200	
PM-DB27404	1-3:4-8	1:1	1-3:5-7	1:0.707	1-3=3.0 11-13=3.0	4000	7/H (.250)
	11-13:14-18	1:1	11-13:15-17	1:0.707	4-8=3.0 14-18=3.0	4000	
PM-DB27405	1-3:4-8	1.25:1	1-3:5-7	1.66:1	1-3=3.2 11-13=3.2	4000	7/H (.250)
	11-13:14-18	1.25:1	11-13:15-17	1.66:1	4-8=3.0 14-18=3.0	4000	
PM-DB27406	4-8:1-3	2.3:1	5-7:1-3	3.2:1	1-3=1.2 11-13=1.2	3000	8/H (.250)
	14-18:11-13	2.3:1	15-17:11-13	3.2:1	5-7=3.0 15-17=3.0	3000	
PM-DB27407	4-8:1-3	2.12:1	5-7:1-3	1.5:1	1-3=1.1 11-13=1.1	4000	7/H (.250)
	14-18:11-13	2.12:1	15-17:11-13	1.5:1	4-8=3.0 14-18=3.0	4000	
PM-DB27408	1-3:4-8	1:2.5	1-3:5-7	1:1.79	1-3=1.0 11-13=1.0	4000	7/H (.250)
	11-13:14-18	1:2.5	11-13:15-17	1:1.79	4-8=3.5 14-18=3.5	4000	

Specifications subject to change without notice.

06/2018



**MIL-STD-1553 / MIL-PRF-21038
 DATABUS INTERFACE TRANSFORMERS
 LOW PROFILE SINGLE/DUAL
 ADD "+" ON P/N FOR RoHS COMPLIANCE**

DUAL CORE HT = 0.280"

PART NUMBER	TERMINALS / RATIO (± 3%)		TERMINALS / RATIO (± 3%)		DCR (Ohms Max.)	Risettime (ns Max.)	IMPEDANCE (Ohms MIN.)	SCHEMATICS / PACKAGE
PM-DB27421	1-3:4-8	2:5	1-3:5-7	4:7	1-3=3.5 11-13=3.5	150	3000	7/H (.280)
	11-13:14-18	2:5	11-13:15-17	4:7	4-8=3.0 14-18=3.0	150	3000	
PM-DB27422	1-3:4-8	1:0.83	1-3:5-7	1:0.6	1-3=3.0 11-13=3.0	150	3000	7/H (.280)
	11-13:14-18	1:0.83	11-13:15-17	1:0.6	4-8=3.0 14-18=3.0	150	3000	
PM-DB27423	1-3:4-8	1.4:1	1-3:5-7	2:1	1-3=3.5 11-13=3.5	150	7200	7/H (.280)
	11-13:14-18	1.4:1	11-13:15-17	2:1	4-8=3.0 14-18=3.0	150	7200	
PM-DB27424	1-3:4-8	1:1	1-3:5-7	1:0.707	1-3=3.0 11-13=3.0	150	4000	7/H (.280)
	11-13:14-18	1:1	11-13:15-17	1:0.707	4-8=3.0 14-18=3.0	150	4000	
PM-DB27425	1-3:4-8	1.25:1	1-3:5-7	1.66:1	1-3=3.2 11-13=3.2	150	4000	7/H (.280)
	11-13:14-18	1.25:1	11-13:15-17	1.66:1	4-8=3.0 14-18=3.0	150	4000	
PM-DB27426	4-8:1-3	2.3:1	5-7:1-3	3.2:1	1-3=1.2 11-13=1.2	150	3000	8/H (.280)
	14-18:11-13	2.3:1	15-17:11-13	3.2:1	5-7=3.0 15-17=3.0	150	3000	
PM-DB27427	4-8:1-3	2.12:1	5-7:1-3	1.5:1	1-3=1.1 11-13=1.1	200	4000	7/H (.280)
	14-18:11-13	2.12:1	15-17:11-13	1.5:1	4-8=3.0 14-18=3.0	200	4000	
PM-DB27428	1-3:4-8	1:2.5	1-3:5-7	1:1.79	1-3=1.0 11-13=3.5	250	3000	7/H (.280)
	11-13:14-18	1:2.5	11-13:15-17	1:1.79	4-8=3.5 14-18=4.0	250	3000	

DUAL CORE HT= 0.320"

PART NUMBER	TERMINALS / RATIO (± 3%)		TERMINALS / RATIO (± 3%)		DCR (Ohms Max.)	IMPEDANCE (Ohms MIN.)	SCHEMATICS / PACKAGE
PM-DB27411	1-3:4-8	2:5	1-3:5-7	4:7	1-3=3.5 11-13=3.5	3000	7/H (.320)
	11-13:14-18	2:5	11-13:15-17	4:7	4-8=3.0 14-18=3.0	3000	
PM-DB27412	1-3:4-8	1:0.83	1-3:5-7	1:0.6	1-3=3.0 11-13=3.0	3000	7/H (.320)
	11-13:14-18	1:0.83	11-13:15-17	1:0.6	4-8=3.0 14-18=3.0	3000	
PM-DB27413	1-3:4-8	1.4:1	1-3:5-7	2:1	1-3=3.5 11-13=3.5	7200	7/H (.320)
	11-13:14-18	1.4:1	11-13:15-17	2:1	4-8=3.0 14-18=3.0	7200	
PM-DB27414	1-3:4-8	1:1	1-3:5-7	1:0.707	1-3=3.0 11-13=3.0	4000	7/H (.320)
	11-13:14-18	1:1	11-13:15-17	1:0.707	4-8=3.0 14-18=3.0	4000	
PM-DB27415	1-3:4-8	1.25:1	1-3:5-7	1.66:1	1-3=3.2 11-13=3.2	4000	7/H (.320)
	11-13:14-18	1.25:1	11-13:15-17	1.66:1	4-8=3.0 14-18=3.0	4000	
PM-DB27416	4-8:1-3	2.3:1	5-7:1-3	3.2:1	1-3=1.2 11-13=1.2	3000	8/H (.320)
	14-18:11-13	2.3:1	15-17:11-13	3.2:1	5-7=3.0 15-17=3.0	3000	
PM-DB27417	4-8:1-3	2.12:1	5-7:1-3	1.5:1	1-3=1.1 11-13=1.1	4000	7/H (.320)
	14-18:11-13	2.12:1	15-17:11-13	1.5:1	4-8=3.0 14-18=3.0	4000	
PM-DB27418	1-3:4-8	1:2.5	1-3:5-7	1:1.79	1-3=1.0 11-13=1.0	4000	7/H (.320)
	11-13:14-18	1:2.5	11-13:15-17	1:1.79	4-8=3.5 14-18=3.5	4000	

Specifications subject to change without notice.

06/2018



**MIL-STD-1553 / MIL-PRF-21038
 DATABUS INTERFACE TRANSFORMERS
 LOW PROFILE SINGLE/DUAL
 ADD "+" ON P/N FOR RoHS COMPLIANCE**

DUAL CORE 0.93 X 0.575

PART NUMBER	TURNS RATIO (± 3%)	TERMINALS		DCR (Ohms Max.)		IMPEDANCE (Ohms MIN.)	SCHEMATICS / PACKAGE
		PRIMARY	SECONDARY	PRIMARY	SECONDARY		
PM-DB2750	1 : 2.70	1-3, 6-8	15-14, 11-10	.25	2.0	2000	13 / AB
PM-DB2751	1 : 3.75	1-3, 6-8	15-14, 11-10	.25	3.0	4000	13 / AB
PM-DB2752	1 : 2.70	1-3, 6-8	16-13, 12-9	.25	2.0	2000	14 / AB
PM-DB2753	1 : 3.75	1-3, 6-8	16-13, 12-9	.25	3.0	4000	14 / AB
PM-DB2754	1 : 2.07	1-3, 6-8	15-14, 11-10	.29	.82	2000	13 / AB
PM-DB2756	1 : 2.50	1-3, 6-8	15-14, 11-10	.25	2.0	2000	13 / AB

DUAL CORE HT= 0.320"

PART NUMBER	TURNS RATIO (± 3%)	TERMINALS		DCR (Ohms Max.)		IMPEDANCE (Ohms MIN.)		SCHEMATICS / PACKAGE
		PRIMARY	SECONDARY	PRIMARY	SECONDARY	75KHZ-249KHZ	250KHZ - 1MHZ	
PM-DB2761	1 : 3.75	1-2, 4-5	10-9, 7-6	0.3	3.0	4000	4000	12 / AA
PM-DB2762	1 : 2.50	1-2, 4-5	10-9, 7-6	1.5	3.5	3000	4000	12 / AA
PM-DB2763	1.25 : 1	1-2, 4-5	10-9, 7-6	2.4	1.5	3000	4000	12 / AA
PM-DB2764	1.41 : 1	1-2, 4-5	10-9, 7-6	2.7	2.2	5000	7200	12 / AA
PM-DB2765	1 : 2.70	1-2, 4-5	10-9, 7-6	0.5	2.0	2000	3000	12 / AA
PM-DB2766	1 : 1.79	1-2, 4-5	10-9, 7-6	1.5	2.5	2000	4000	12 / AA
PM-DB2767	1.66 : 1	1-2, 4-5	10-9, 7-6	2.4	1.5	3000	4000	12 / AA
PM-DB2768	2.00 : 1	1-2, 4-5	10-9, 7-6	2.6	1.3	5000	7200	12 / AA
PM-DB2769	1 : 2.038	1-2, 4-5	10-9, 7-6	0.7	2.0	2000	3000	12 / AA
PM-DB2770	1 : 2.65	1-2, 4-5	10-9, 7-6	0.5	2.0	2000	4000	12 / AA
PM-DB2771	1 : 2.07	1-2, 4-5	10-9, 7-6	0.3	1.1	2000	4000	12 / AA

LOW PROFILE DUAL CORE HT= 0.185"

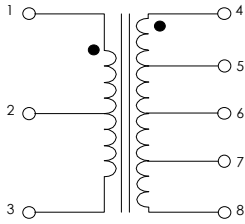
PART NUMBER	TERMINALS / RATIO (± 3%)		TERMINALS / RATIO (± 3%)		DCR (Ohms Max.)	IMPEDANCE (Ohms MIN.)		SCHEMATICS / PACKAGE
	TERMINALS	RATIO (± 3%)	TERMINALS	RATIO (± 3%)		75KHz-149KHz	150KHz-1MHz	
PM-DB2775	1-3:16-13	1:3.75	1-3:15-14	1:2.70	1-3,6-8 = 0.35	3000	4000	15/AC
	6-8:12-9	1:3.75	6-8:11-10	1:2.70	16-13,12-9 = 3.0			
PM-DB2776	1-3:16-13	1:2.5	1-3:15-14	1:1.79	1-3,6-8 = 1.0	3000	4000	15/AC
	6-8:12-9	1:2.5	6-8:11-10	1:1.79	16-13,12-9 = 3.5			
PM-DB2777	1-3:16-13	1.25:1	1-3:15-14	1.66:1	1-3,6-8 = 3.2	3000	4000	15/AC
	6-8:12-9	1.25:1	6-8:11-10	1.66:1	16-13,12-9 = 3.0			
PM-DB2778	1-3:16-13	1.4:1	1-3:15-14	2:1	1-3,6-8 = 3.5	5000	7200	15/AC
	6-8:12-9	1.4:1	6-8:11-10	2:1	16-13,12-9 = 3.0			
PM-DB2779	1-3:16-13	1:2.65	1-3:15-14	1:2.07	1-3,6-8 = 0.29	2000	4000	15/AC
	6-8:12-9	1:2.65	6-8:11-10	1:2.07	16-13,12-9 = 1.1			
PM-DB2780	1-3:16-13	1:2.5	6-8:12-9	1:2.5	1-3=0.35, 6-8=0.35	3000	4000	15/AB
					16-13=3.0, 12-9=3.0			

Specifications subject to change without notice.

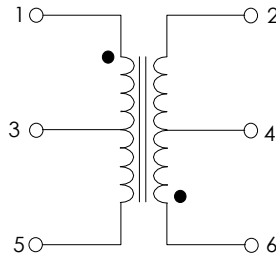
06/2018

SCHEMATICS

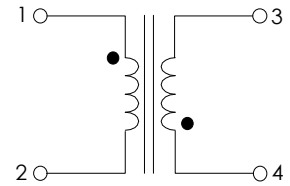
SCHEMATIC "1"



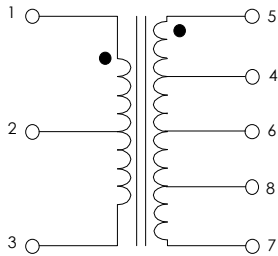
SCHEMATIC "2"



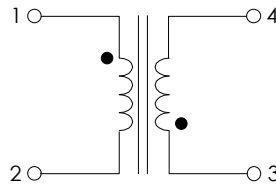
SCHEMATIC "3"



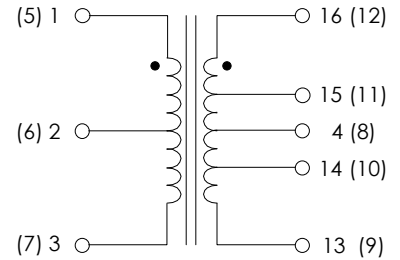
SCHEMATIC "4"



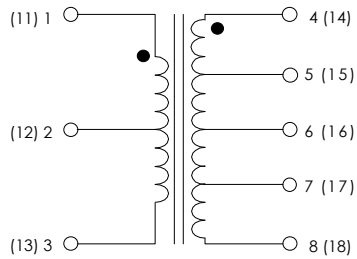
SCHEMATIC "5"



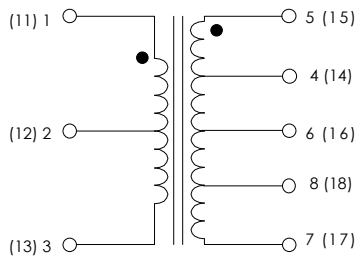
SCHEMATIC "6"



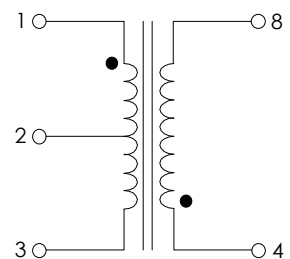
SCHEMATIC "7"



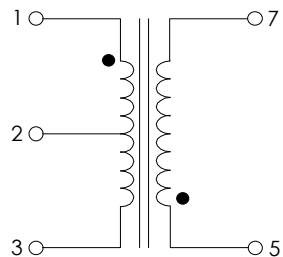
SCHEMATIC "8"



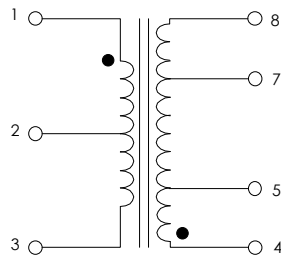
SCHEMATIC "9"



SCHEMATIC "10"

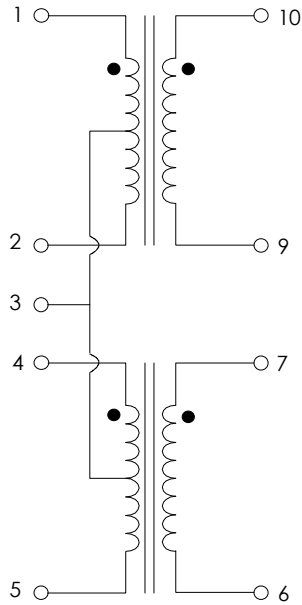


SCHEMATIC "11"

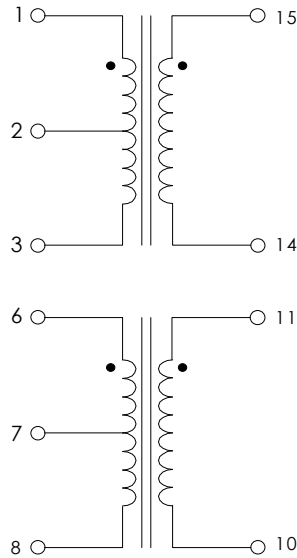


**MIL-STD-1553 / MIL-PRF-21038
DATABUS INTERFACE TRANSFORMERS
LOW PROFILE SINGLE/DUAL
ADD "+" ON P/N FOR RoHS COMPLIANCE**

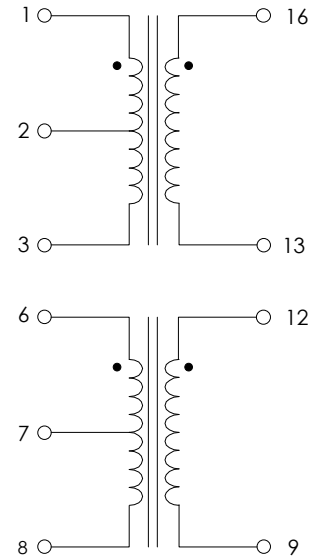
SCHEMATIC "12"



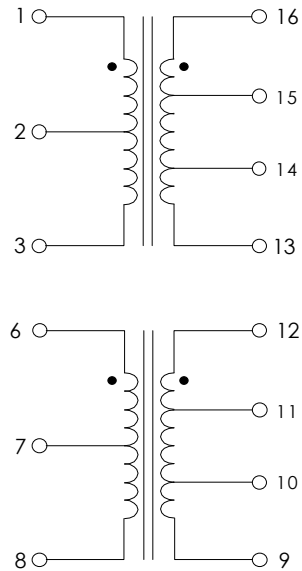
SCHEMATIC "13"



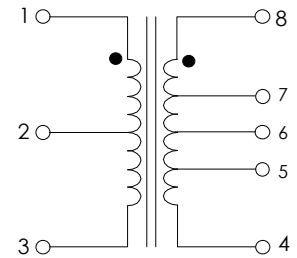
SCHEMATIC "14"



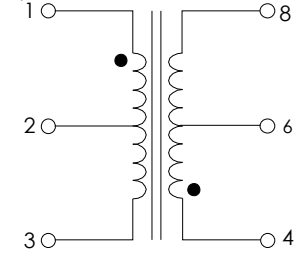
SCHEMATIC "15"



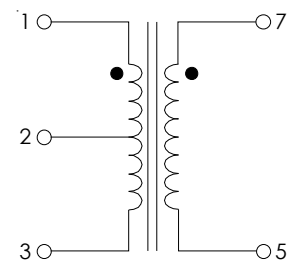
SCHEMATIC "16"



SCHEMATIC "17"



SCHEMATIC "18"



MIL-STD-1553 / MIL-PRF-21038

DATABUS INTERFACE TRANSFORMERS

LOW PROFILE SINGLE/DUAL

ADD "+" ON P/N FOR RoHS COMPLIANCE

FIGURE #A

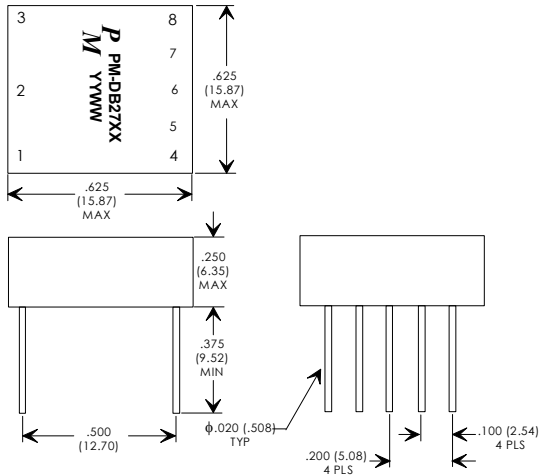


FIGURE #B

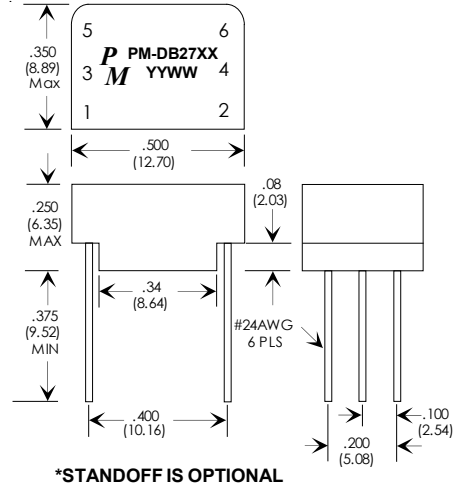


FIGURE #C

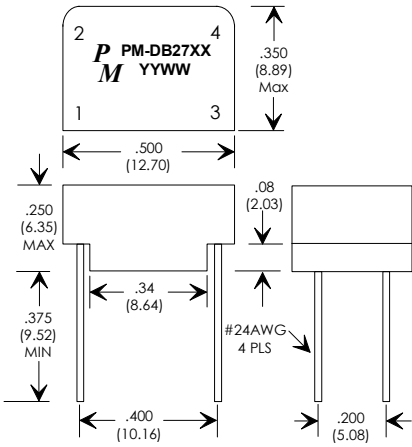


FIGURE #D

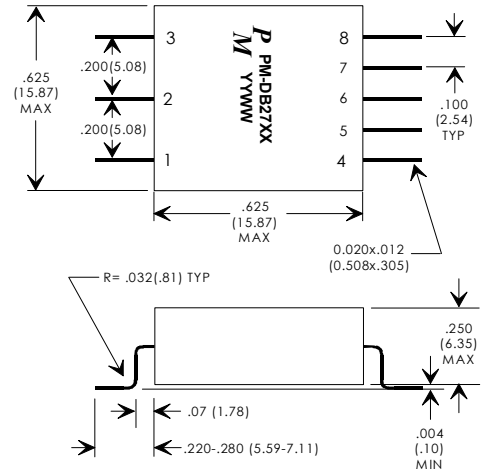


FIGURE #E

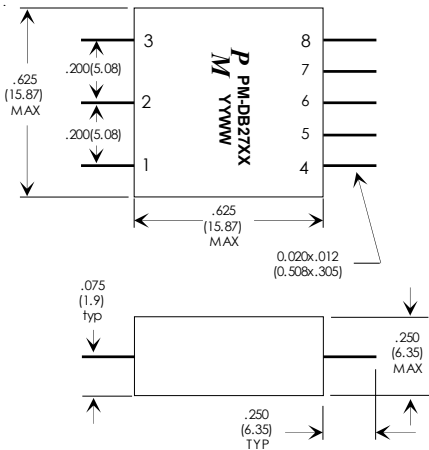
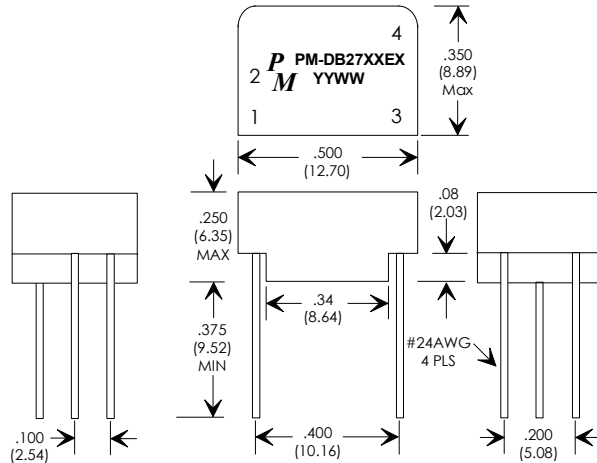


FIGURE #F



Specifications subject to change without notice.

***STANDOFF IS OPTIONAL**

06/2018

MIL-STD-1553 / MIL-PRF-21038

DATABUS INTERFACE TRANSFORMERS

LOW PROFILE SINGLE/DUAL

ADD "+" ON P/N FOR RoHS COMPLIANCE

FIGURE #G

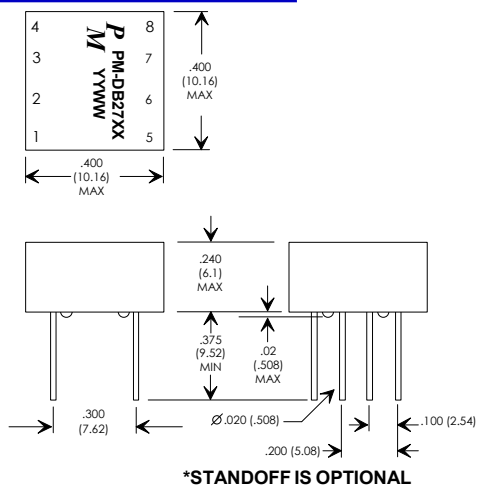


FIGURE #H

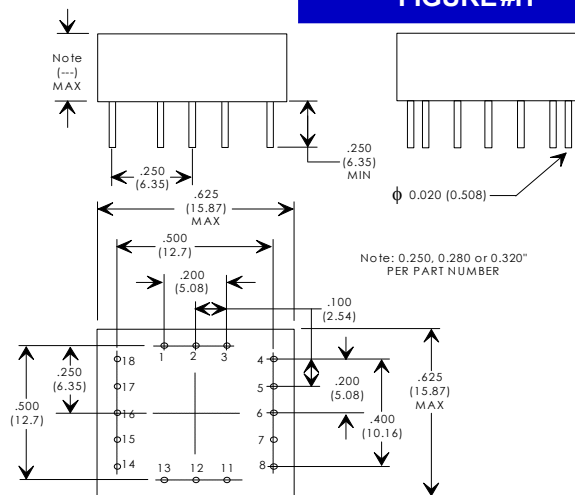


FIGURE #K

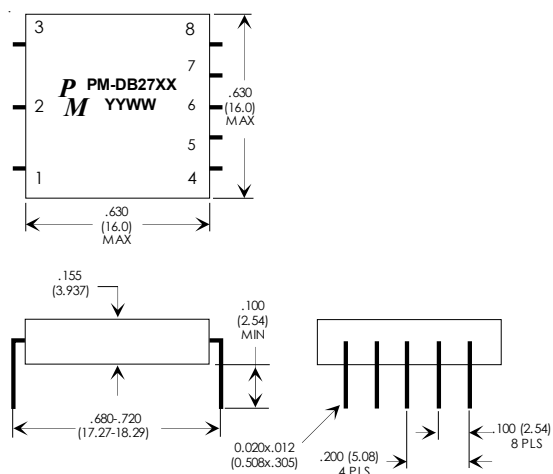


FIGURE #L

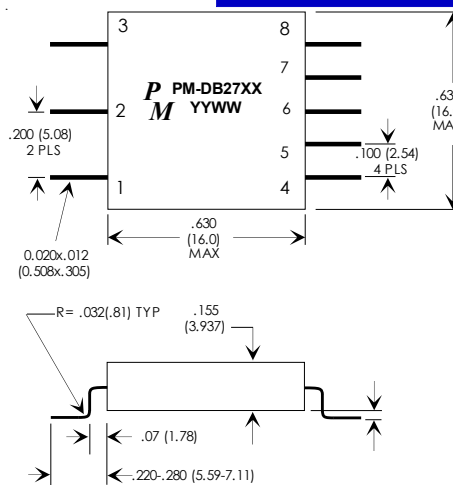


FIGURE #M

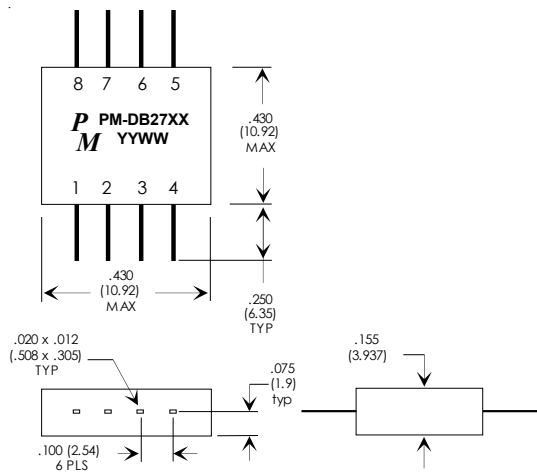
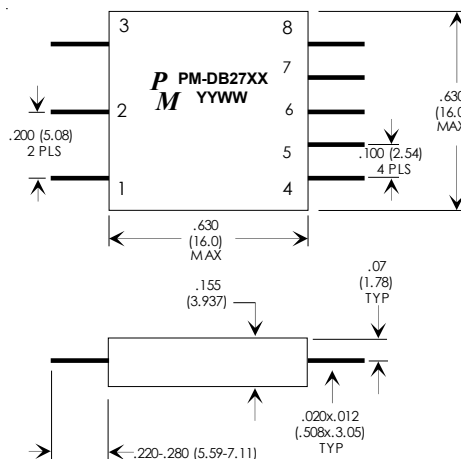


FIGURE #N



Specifications subject to change without notice.

06/2018

MIL-STD-1553 / MIL-PRF-21038 DATABUS INTERFACE TRANSFORMERS LOW PROFILE SINGLE/DUAL ADD "+" ON P/N FOR RoHS COMPLIANCE

FIGURE # R

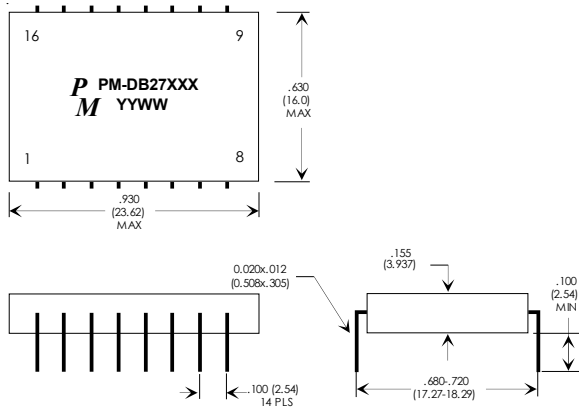


FIGURE # S

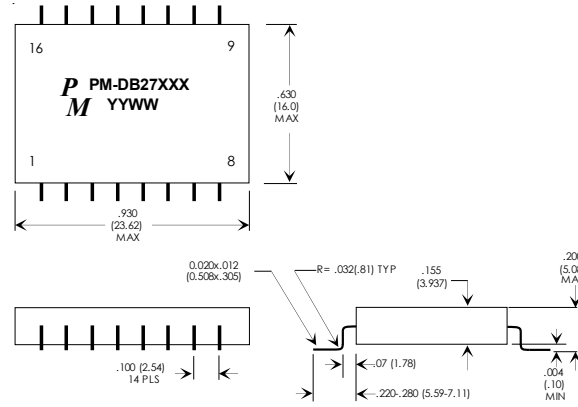


FIGURE # T

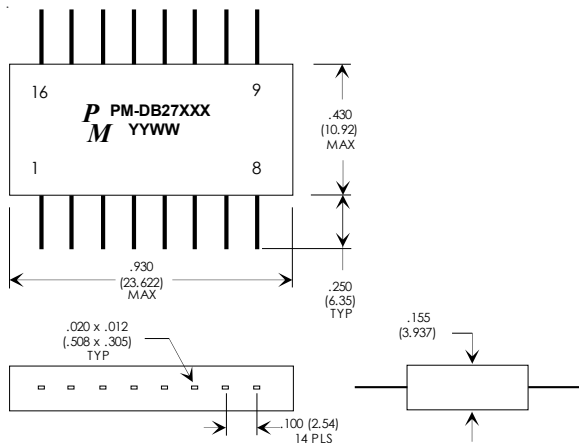


FIGURE # U

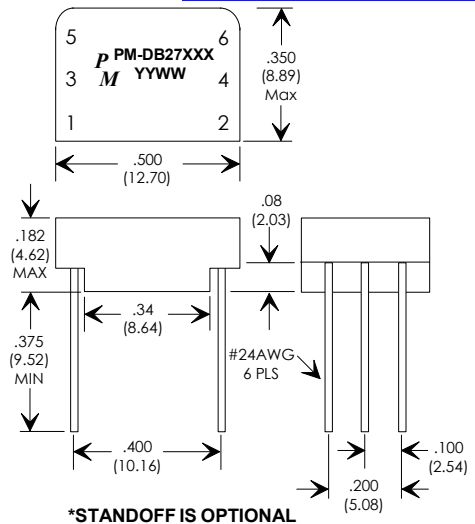


FIGURE # V

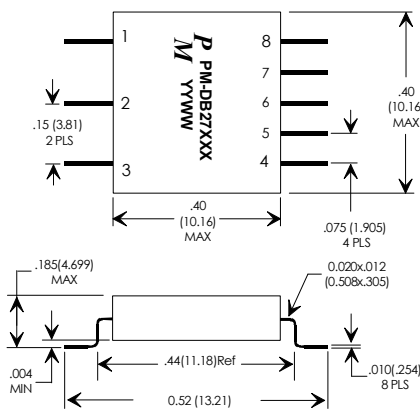
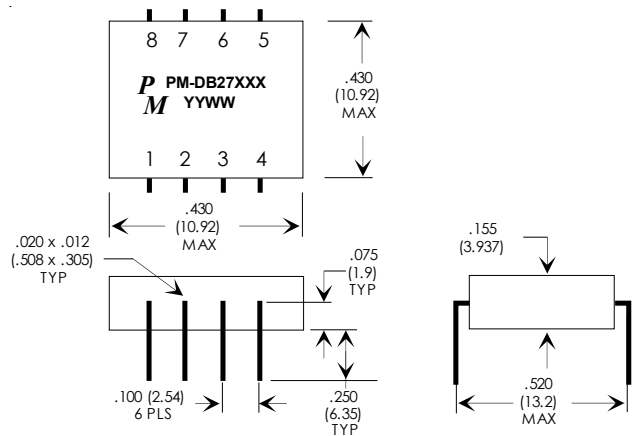


FIGURE # W



Specifications subject to change without notice.

06/2018

MIL-STD-1553 / MIL-PRF-21038 DATABUS INTERFACE TRANSFORMERS LOW PROFILE SINGLE/DUAL ADD "+" ON P/N FOR RoHS COMPLIANCE

FIGURE # X

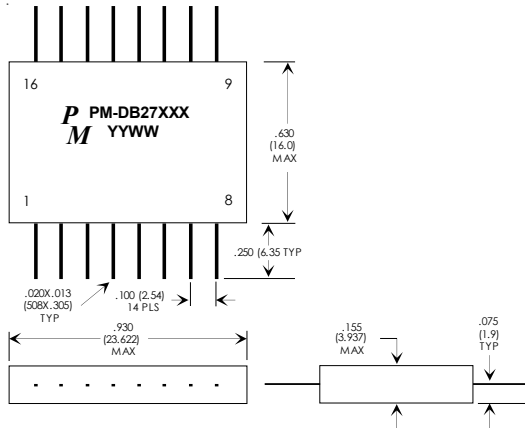


FIGURE # AA

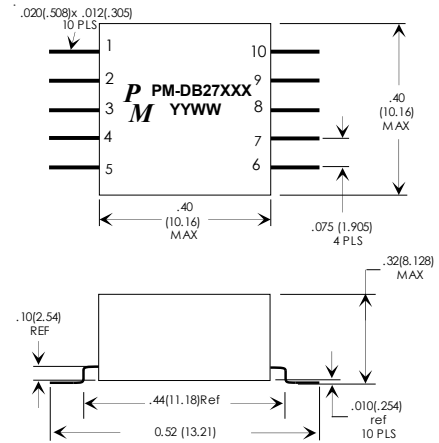


FIGURE # AB

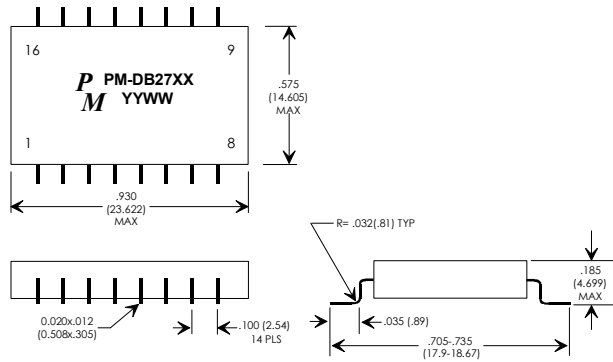


FIGURE # AC

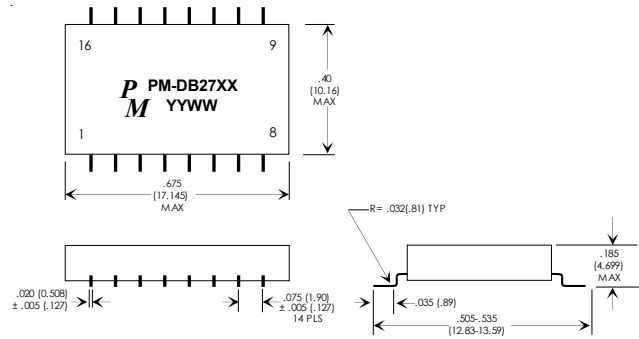
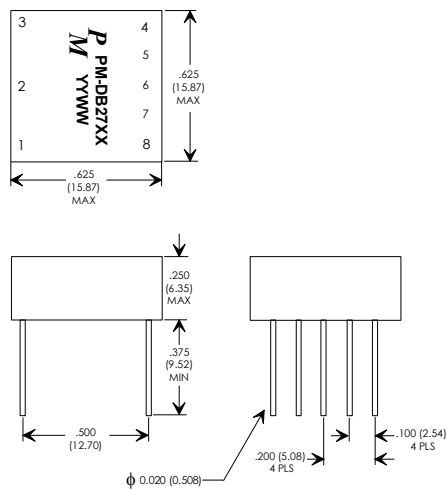


FIGURE # AD



***STANDOFF IS OPTIONAL**

Specifications subject to change without notice.

06/2018

MIL-STD-1553 / MIL-PRF-21038
DATABUS INTERFACE TRANSFORMERS
LOW PROFILE SINGLE/DUAL
ADD "+" ON P/N FOR RoHS COMPLIANCE

FIGURE # AE

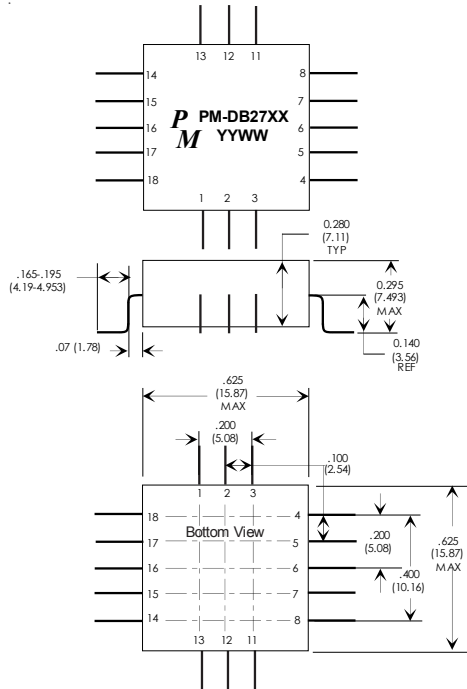
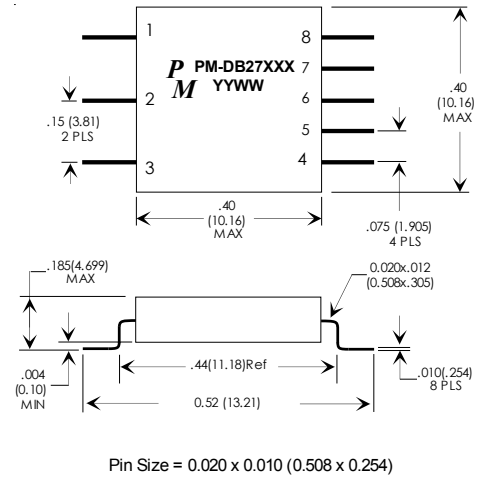


FIGURE # AF





**MIL-STD-1553 / MIL-PRF-21038
 DATABUS INTERFACE TRANSFORMERS
 LOW PROFILE SINGLE/DUAL
 ADD "+" ON P/N FOR RoHS COMPLIANCE**

CROSS REFERENCE LISTING

<u>PREMIER PART#</u>	<u>X-REF NAME/PART#</u>	<u>PREMIER PART#</u>	<u>X-REF NAME/PART#</u>
	BETA		BETA
PM-DB2701	B-2202	PM-DB2745L	LPB-5015
PM-DB2702	B-2203	PM-DB2741L	LPB-5003
PM-DB2703	B-2204	PM-DB2742L	LPB-5002
PMDB-2704	B-2205	PM-DB2743L	LPB-5004
PM-DB2705	B-2206	PM-DB2744L	LPB-5006
PM-DB2706	B-2207		
PM-DB2707	B-2208	PM-DB2745M	LPB-5014
PM-DB2708	B-2709	PM-DB2741M	LPB-5010
PM-DB2709	B-2210	PM-BD2742M	LPB-5009
PM-DB2710	B-2385	PM-BD2743M	LPB-5011
PM-DB2711	B-2386	PM-BD2744M	LPB-5013
PM-DB2712	B-2387		
PM-DB2713	B-2388	PM-DB2742D	TLP-1215
PM-DB2714	B2389	PM-DB2743D	TLP-1212
PM-DB2715	B-2390	PM-DB2745D	TLP-1205
PM-DB2716	B-2342		
PM-DB2717	B-2343	PM-DB2742S	TLP-1015
PM-DB2718	B-2344	PM-DB2743S	TLP-1012
PM-DB2719	B-2345	PM-DB2745S	TLP-1005
PM-DB2720	B-2391		
PM-DB2721	B-3221	PM-DB2742T	TLP-1115
PM-DB2722	B-3222	PM-DB2743T	TLP-1112
PM-DB2723	B-3223	PM-DB2745T	TLP-1105
PM-DB2724	B-3224		
PM-DB2725	B-3225	PM-DB2761	TSM-2033
PM-DB2725R	B3067	PM-DB2762	TSM-2005
PM-DB2726	B-3226	PM-DB2763	TSM-2012
PM-DB2727	B-3227	PM-DB2764	TSM-2015
PM-DB2728	B-3228	PM-DB2765	TSM-2233
PM-DB2729	B-3229	PM-DB2766	TSM-2205
PM-DB2730	B-3230	PM-DB2767	TSM-2212
PM-DB2731	B-3231	PM-DB2768	TSM-2215
		PM-DB2771	TSM-2230
PM-DB2775	DSS-3333		
PM-DB2776	DSS-3305	+	
PM-DB2777	DSS-3312		
PM-DB2792S	MPL-2233	PM-DB2790T	LVD-4203
PM-DB2794S	MPL-2230		
PM-DB27150	LVB-4230		