



GENERAL PURPOSE PULSE/COUPLING TRANSFORMERS

- * Wide Selection of Standard Types
- * Industry Standard Package
- * Low Leakage Ind. and Winding Capacitance
- * Average Power Rating 500 mW (40°C Rise)
- * Dissipation Rating 150 mW

- * Fast Rise Times
- * 2000Vrms Minimum Isolation Voltage
- * Insulation Resistance 10,000Mw Minimum
- * Peak Pulse Voltage 100V
- * Custom Designs Available (Consult Factory)

ELECTRICAL SPECIFICATIONS AT 25°C - OPERATING TEMPERATURE RANGE -40°C TO +85°C

PART NUMBER	URNS RATIO (± 5%)	PRIMARY OCL (μH MIN)	PRIMARY ET CONSTANT (V-μsec Min.)	RISE TIME (ns Max.)	PRI-SEC Cw/w (pf Max.)	PRI / SEC L _L (μH Max.)	PRI DCR (Ω Max.)	SEC DCR (Ω Max.)	TER DCR (Ω Max.)	Sch.
PM-NW01	1:1:1	5,000	25.0	11.0	60.0	1.3	3.9	3.9	3.9	A
PM-NW02	1:1:1	2,000	16.0	8.5	37.0	.80	2.5	2.5	2.5	A
PM-NW03	1:1:1	1,000	11.0	8.0	30.0	.70	2.0	2.0	2.0	A
PM-NW04	1:1:1	500	8.5	5.5	32.0	.60	1.5	1.5	1.5	A
PM-NW05	1:1:1	200	6.5	4.5	18.0	.50	1.0	1.0	1.0	A
PM-NW06	1:1:1	100	6.0	5.5	15.0	.40	0.8	0.8	0.8	A
PM-NW07	1:1:1	50	5.5	5.0	10.0	.30	0.7	0.7	0.7	A
PM-NW08	1:1:1	20	4.0	4.4	9.0	.30	0.6	0.6	0.6	A
PM-NW09	1:1:1	10	3.5	4.2	8.0	.30	0.5	0.5	0.5	A
PM-NW10	2:1:1	5,000	25.0	11.0	35.0	4.0	3.9	2.0	2.0	A
PM-NW11	2:1:1	2,000	16.0	8.5	20.0	2.0	2.5	1.5	1.5	A
PM-NW12	2:1:1	500	8.5	5.5	12.0	1.5	1.5	0.8	0.8	A
PM-NW13	2:1:1	200	6.5	4.5	9.0	1.0	1.0	0.6	0.6	A
PM-NW14	2:1:1	20	4.0	4.4	8.0	0.8	0.6	0.5	0.5	A
PM-NW15	1ct:1ct	2,000	16.0	8.5	37.0	.80	2.5	2.5	—	G
PM-NW16	1ct:1ct	1,000	11.0	8.0	30.0	.70	2.0	2.0	—	G
PM-NW17	1ct:1ct	500	8.5	5.5	32.0	.60	1.5	1.5	—	G
PM-NW18	1ct:1ct	200	6.5	4.5	18.0	.50	1.0	1.0	—	G
PM-NW19	1ct:1ct	100	6.0	5.5	15.0	.40	0.8	0.8	—	G
PM-NW20	1ct:1ct	50	5.5	5.0	10.0	.30	0.7	0.7	—	G
PM-NW21	2ct:1	5,000	25.0	11.0	35.0	4.0	3.9	2.0	2.0	A
PM-NW22	2ct:1	2,000	16.0	8.5	20.0	2.0	2.5	1.5	1.5	A
PM-NW23	2ct:1	500	8.5	5.5	12.0	1.5	1.5	0.8	0.8	A
PM-NW24	2ct:1	200	6.5	4.5	9.0	1.0	1.0	0.6	0.6	A
PM-NW25	2ct:1	20	4.0	4.4	8.0	0.8	0.6	0.5	0.5	A
PM-NW26	1.25:1	1,200	11.0	10.0	35.0	0.8	0.8	0.7	—	B
PM-NW27	1:1:1	82	5.8	5.3	13.0	.35	0.7	0.7	0.7	A

Specifications subject to change without notice.



GENERAL PURPOSE PULSE/COUPLING TRANSFORMERS

- * Wide Selection of Standard Types
- * Industry Standard Package
- * Low Leakage Ind. and Winding Capacitance

- * Fast Rise Times
- * 500VDC Minimum Isolation Voltage
- * Dissipation Rating 150 mW

ELECTRICAL SPECIFICATIONS AT 25°C - OPERATING TEMPERATURE RANGE -40°C TO +85°C

PART NUMBER	Turns Ratio (± 5%)	Primary OCL (μH MIN)	Primary ET Constant (V-μsec Min.)	PRI / SEC L _L (μH Max.)	PRI-SEC Cw/w (pf Max.)	PRI DCR (Ω Max.)	SEC 1 DCR (Ω Max.)	SEC 2 DCR (Ω Max.)	Sch.	PACK-AGE
PM-NW40	1:1	2060	17.5	0.60	35	1.5	1.5		D	T7
PM-NW41	1:1	492	8.50	0.30	20	0.80	0.80		D	T7
PM-NW42	1:1	219	5.50	0.25	12	0.50	0.50		D	T7
PM-NW43	1:1	50	4	0.20	10	0.40	0.40		D	T7
PM-NW44	1:1	9.5	6	0.20	10	0.40	0.40		D	T7
PM-NW45	1:1	1000	12	0.30	25	0.30	0.30		D	T7
PM-NW46	1:1	11000	51	65	5	5.0	5.0		D	T7
PM-NW47	1:1	4000	50	0.60	45	1.50	1.50		D	T7
PM-NW48	1:1	20	2.5	0.20	5	0.20	0.20		D	T7
PM-NW49	1:1	938	10.2	0.20	35	0.15	0.15		D	T7
PM-NW50	1:1	11700	50	0.40	80	1.35	1.35		D	T7
PM-NW60	1ct:1ct	3200	45	2.0	27	1.0	1.0		C	T7
PM-NW61	1ct:1ct	400	9.5	85	3	0.30	0.30		C	T7
PM-NW62	1ct:2ct	1800	15.5	1.0	20	1.0	1.0		C	T7
PM-NW63	2ct:1ct	4350	23	3.0	20	1.0	1.0		C	T7
PM-NW64	1ct:2ct	7600	30.5	0.80	25	1.80	1.80		C	T7
MP-NW75	1:1:1	10000	360	12.0	36	2.8	3.6		A	T8

* Hipot = 1600Vac, IR @500Vdc = 10000Ohm minimum

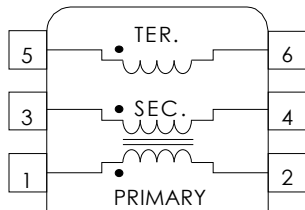
Specifications subject to change without notice.

"T6" SCHEMATICS

SINGLE CORE

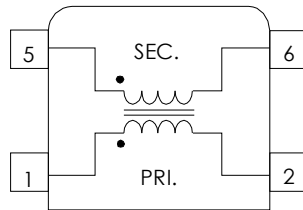
SCHEMATIC DIAGRAMS

SCHEMATIC "A"

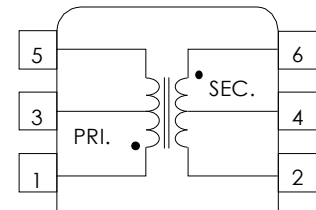


TER = SEC 2
SEC = SEC 1

SCHEMATIC "B"



SCHEMATIC "G"

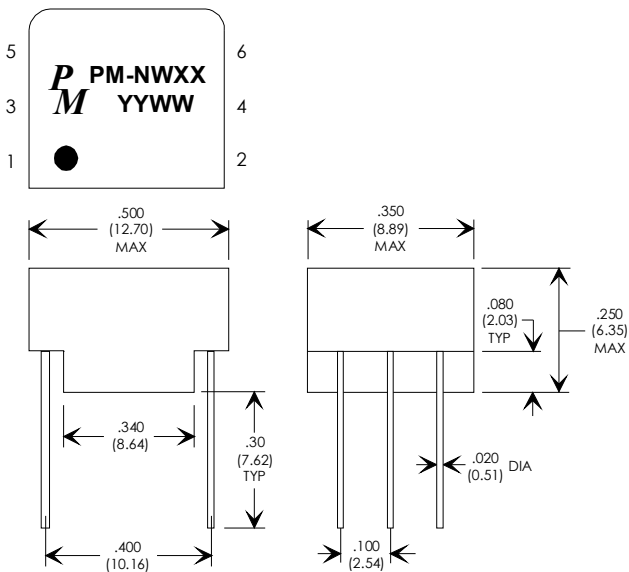


"T6" MECHANICALS

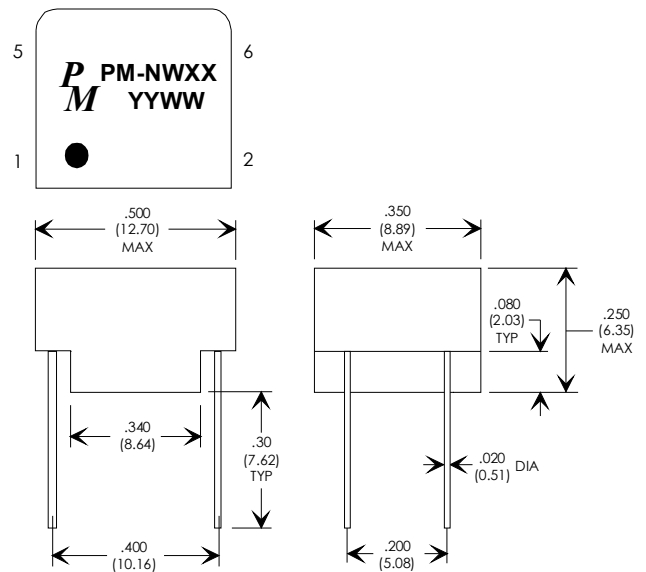
SINGLE CORE

Dimensions in inches (mm)

Schematic "A" & "G"



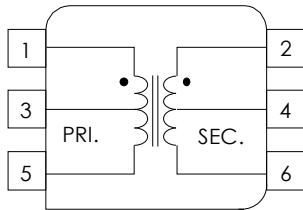
Schematic "B"
Pin #3 & 6 Removed



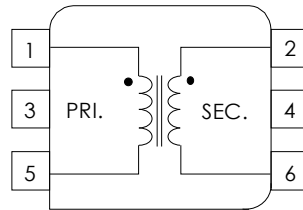
Specifications subject to change without notice.

SCHEMATIC DIAGRAMS

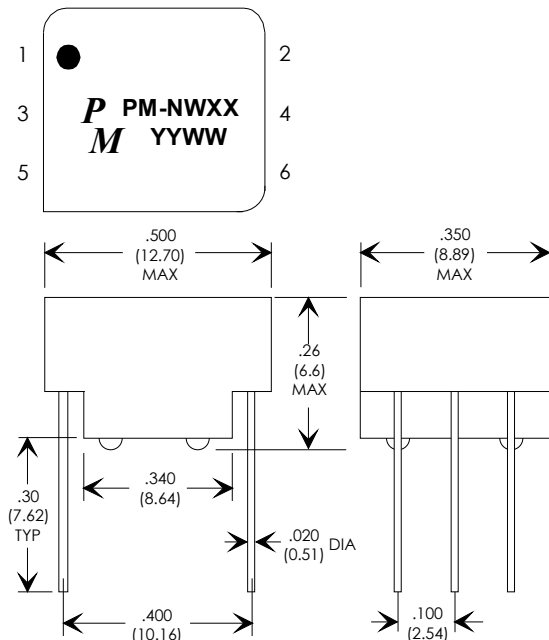
SCHEMATIC "C"



SCHEMATIC "D"

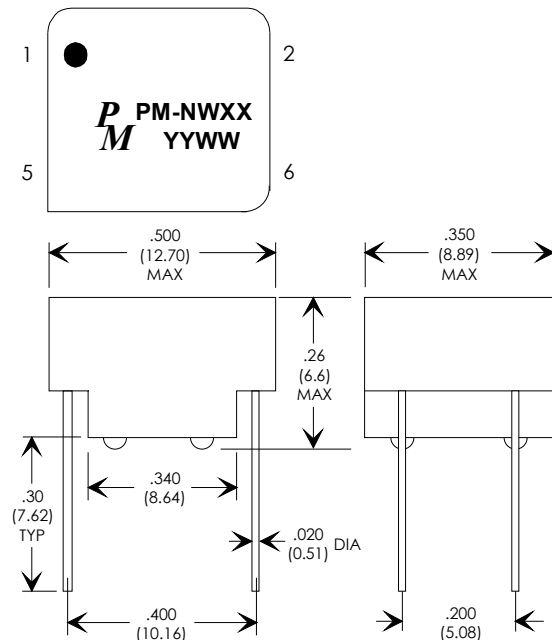


Schematic "C"



Schematic "D"

Pin #3 & 4 Removed



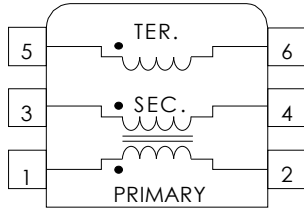
Specifications subject to change without notice.

"T8" SCHEMATICS

SINGLE CORE

SCHEMATIC DIAGRAMS

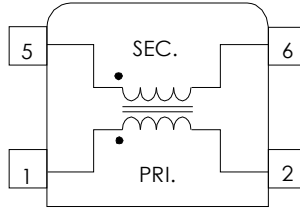
SCHEMATIC "A"



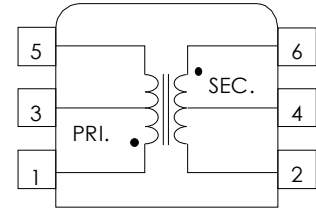
TER = SEC 2

SEC = SEC 1

SCHEMATIC "B"



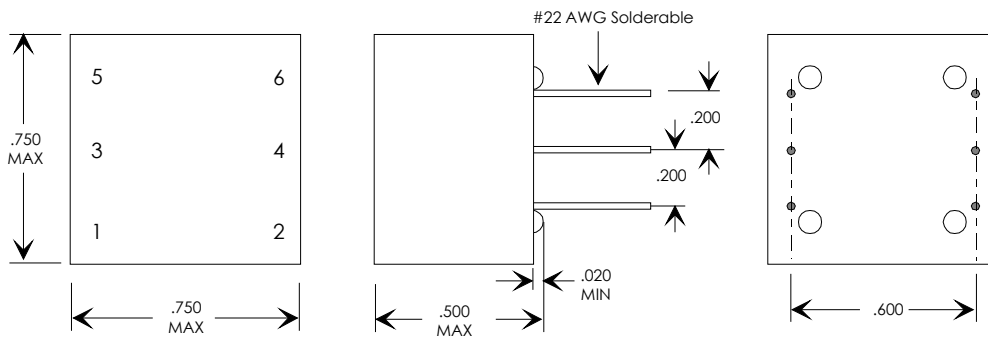
SCHEMATIC "G"



"T8" MECHANICALS

SINGLE CORE

Dimensions in inches
Tolerance : +/- .010



Specifications subject to change without notice.