

# GATE DRIVE & BASE DRIVE TRANSFORMERS

- \* Designs for Single or Double Ended Controllers
- \* High Isolation Voltages
- \* Designs From 20KHz to >300KHz

- \* Very Low Leakage Inductance
- \* Industry Standard Packages
- \* Multiple Configurations

**ELECTRICAL SPECIFICATIONS AT 25°C - OPERATING TEMPERATURE RANGE -25°C TO +80°C**

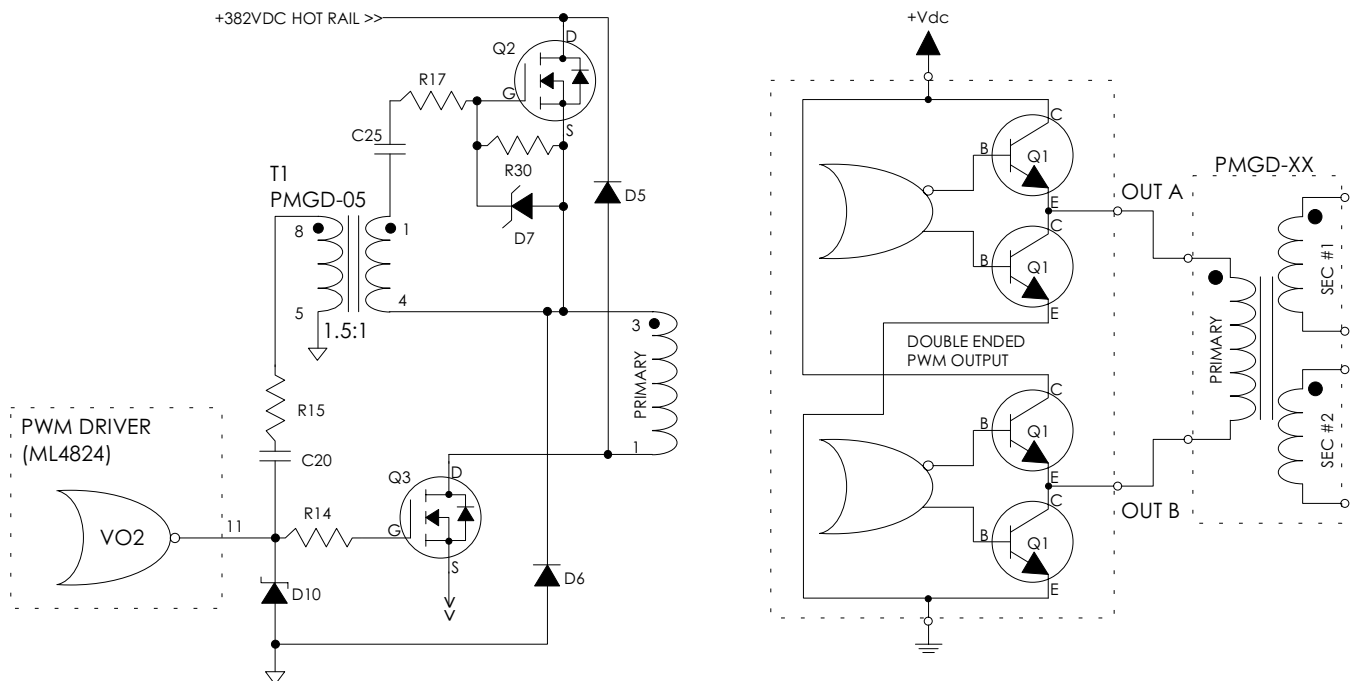
**CLICK ON THE RESPECTIVE PART NUMBER TO DISPLAY A DETAIL DATA SHEET**

PART NUMBER	TURNS RATIO (Pri:Sec±5%)	PRIMARY OCL (μH Typ.)	LEAKAGE IND (μH Max.)	PRI/SEC HI-POT V	PACKAGE	TYPICAL APPLICATION NOTE
<a href="#">PMGD-02</a>	1 : 1 : 1	530	1.5	1500dc	EP13	150KHz Double Ended Drive
<a href="#">PMGD-03</a>	1 : 1	800	2.0	1500dc	EP7	100KHz Single Ended Drive
<a href="#">PMGD-04</a>	1 : 1 : 1	24500	20.0	1000dc	EP10	20KHz Double Ended Drive
<a href="#">PMGD-05</a>	1 : 0.67	6200	15.0	1000dc	EP10	25KHz Single Ended Drive
<a href="#">PMGD-06</a>	1 : 1	6200	15.0	2000ac	EP10	100KHz Double Ended Drive
<a href="#">PMGD-07</a>	1 : 2 : 2	2350	2.0	1500ac	EP13	40KHz Dual Single Ended Drive
<a href="#">PMGD-08</a>	1 : 1.25 : 1.25	575	1.0	3000ac	EP13	180KHz Dual Single Ended Drive
<a href="#">PMGD-09</a>	1 : 2 : 2	2350	2.0	3000ac	EP13	40KHz Dual Single Ended Drive
<a href="#">PMGD-10</a>	1 : 2 : 2	8350	25.0	2500ac	EP13	20KHz Dual Single Ended Drive

## TYPICAL APPLICATIONS

### TYPICAL SINGLE ENDED APPLICATION CIRCUIT

### TYPICAL DOUBLE ENDED APPLICATION CIRCUIT



Specifications subject to change without notice.

pmgd 04/03

# GATE DRIVE & BASE DRIVE TRANSFORMERS

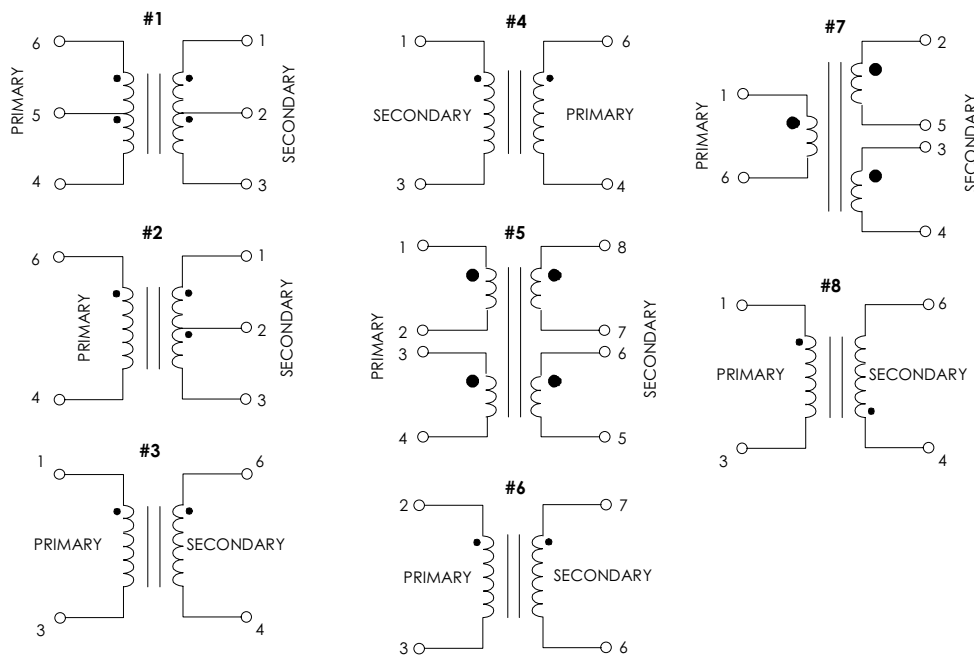
- \* Designs for Gate/Base/Flyback/Push-pull
- \* High Isolation Voltages
- \* Designs From 50KHz and up operation frequency

- \* SMD Industry Standard Packages
- \* Operation Temp -40C to +85C
- \* Multiple Configurations

## ELECTRICAL SPECIFICATIONS AT 25°C - OPERATING TEMPERATURE RANGE -40°C TO +85°C

PART NUMBER	TURNS RATIO (Pri:Sec ±5%)	PRIMARY OCL (μH)	LEAKAGE IND (μH tpy.)	PRI DCR (Ω MAX.)	SEC DCR (Ω MAX.)	PRI/SEC HI-POT VDC	PACKAGE/ SCHEMATIC
PMGD-50	1CT : 1CT	800 MIN	3.00	3.50	3.50	1250	EP5G/1
PMGD-51	1CT : 2CT	390 MIN	1.50	2.25	4.50	1250	EP5G/1
PMGD-52	1CT : 2.5CT	390 MIN	1.50	2.25	6.00	1250	EP5G/1
PMGD-53	1CT : 3CT	2000 MIN	1.20	3.00	25.0	1250	EP5G/1
PMGD-54	1 : 1CT	2000 MIN	1.20	2.75	2.75	1250	EP5G/2
PMGD-55	1 : 2CT	17.2 ± 20%	1.00	1.25	3.00	1250	EP5G/2
PMGD-56	1 : 12.04	3.7 ± 20%	0.275	0.90	12.25	550	EP5G/3
PMGD-57	1 : 3.0	9.88 ± 20%	0.500	1.00	3.25	1250	EP5G/4
PMGD-58	1 : 1 : 1	330 MIN	0.500	2.0	2.0	1500	EP5G/7
PMGD-59	1 : 1	330 MIN	1.0	1.0	1.0	1500	EP5G/8
PMGD-60	1CT : 5CT	160 MIN N/A	1.1	9.6		1800	A/5
PMGD-61	1CT : 3CT	180 MIN N/A	1.1	8.0		1800	A/5
PMGD-62	1 : 5	180 MIN N/A	1.1	8.3		1800	A/6
PMGD-63	1 : 1	700 ± 20%	3.0	2.0	2.0	1250	EP5G/3
PMGD-64	1 : 1.0	785 MIN	0.500	1.00	0.6	0.6	EP5G/4

## SCHEMATICS

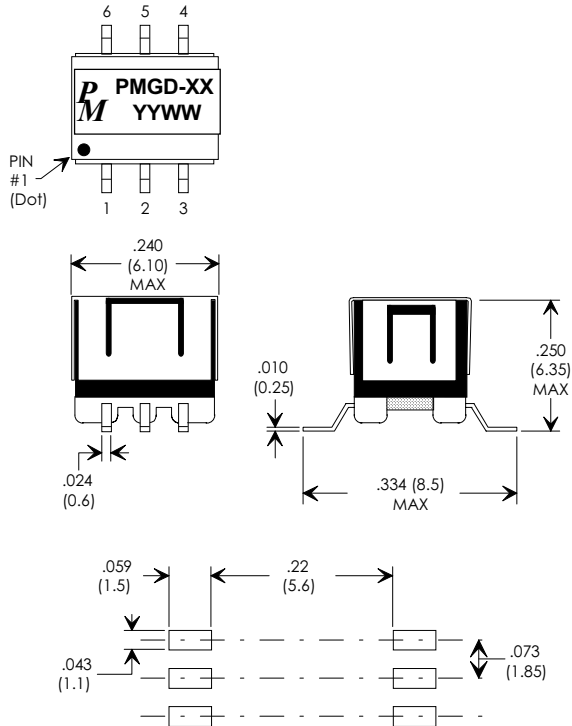


Specifications subject to change without notice.

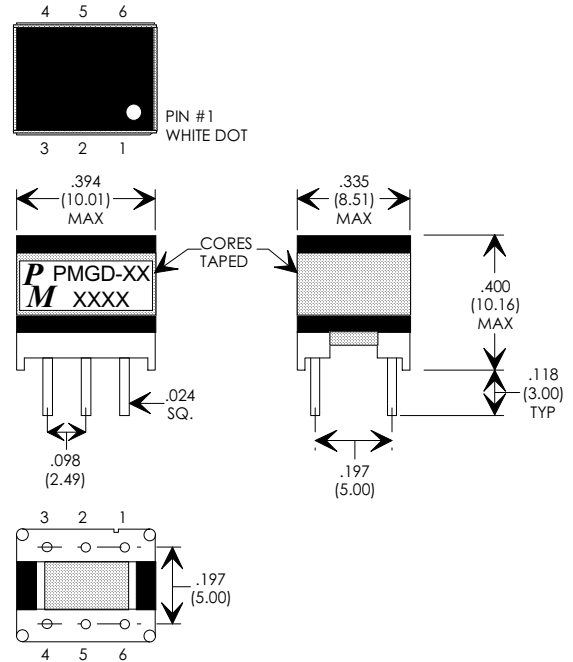
pmgd 04/03

# GATE DRIVE & BASE DRIVE TRANSFORMERS

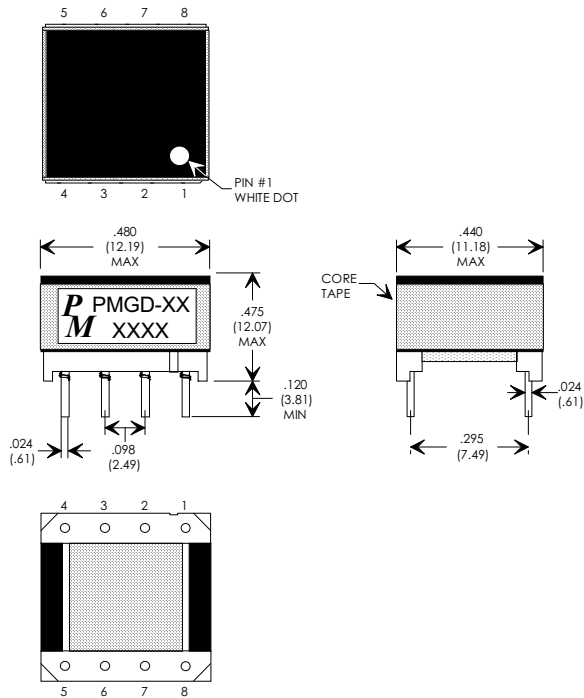
## EP5G MECHANICAL



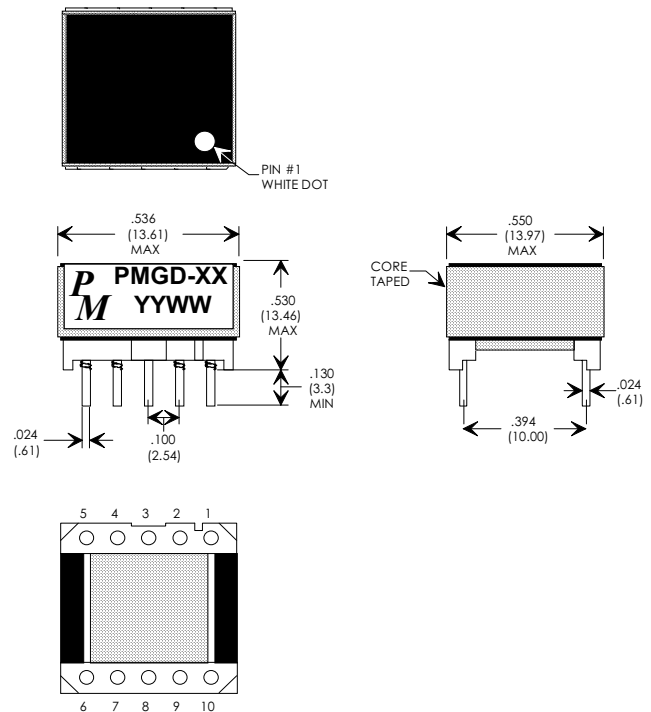
## EP7 MECHANICALS



## EP10 MECHANICAL



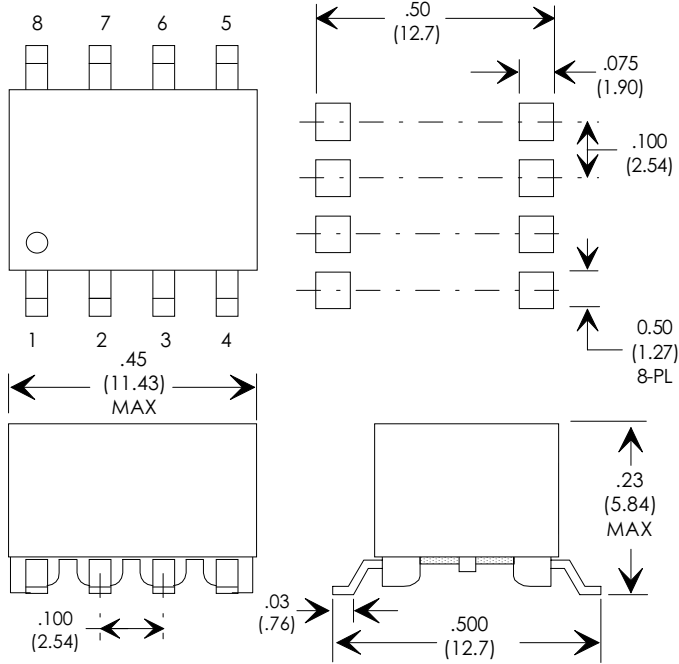
## EP13 MECHANICAL



Specifications subject to change without notice.

pmgd 04/03

## A MECHANICAL





# GATE DRIVE & BASE DRIVE TRANSFORMERS

<u>PREMIER</u>	<u>MIDCOM</u>
<u>PMGD-50</u>	<u>31094R</u>
<u>PMGD-51</u>	<u>31095R</u>
<u>PMGD-52</u>	<u>31096R</u>
<u>PMGD-53</u>	<u>30902R</u>
<u>PMGD-54</u>	<u>31204R</u>
<u>PMGD-55</u>	<u>31098R</u>
<u>PMGD-56</u>	<u>31032R</u>
<u>PMGD-57</u>	<u>31099R</u>
<u>PMGD-60</u>	<u>S5499D COILCRAFT</u>
<u>PMGD-62</u>	<u>S6650D COILCRAFT</u>