



DSL LINE ISOLATION TRANSFORMERS THRU HOLE OR SMD

Parts are UL1950 & CSA-950 Recognized Under UL File# E162344 or are Pending

- * Thru Hole or SMD Package
- * 1500Vrms Minimum Isolation Voltage
- * UL, IEC & CSA Insulation System
- * Extended Temperature Range Version

ELECTRICAL SPECIFICATIONS AT 25°C - OPERATING TEMPERATURE RANGE -40°C TO +85°C

PART NUMBER	Ratio (SEC:PRI ± 3%)	Primary OCL (mH TYP.)	PRI - SEC L _L (μH Max.)	DCR (Ω Max)		Package / Schematic	IC Manufacture	IC P/N
				PRI	SEC			
PM-DSL10	1 : 2.0	12.5	40.0	4.0	2.0	EP13/G		
PM-DSL11	1 : 2.0	12.5	40.0	4.0	2.0	EP13/AC		
PM-DSL11G	1 : 2.0	12.5	40.0	4.0	2.0	EP13G/AC		
PM-DSL12	1 : 2.0	16.5	20.0	3.0	1.0	EP13/AD	Globespan	
PM-DSL13	1 : 1.0	5.0	16	1.5	1.65	EP13/I		
PM-DSL13G	1 : 1.0	5.0	16	1.5	1.65	EP13G/I		
PM-DSL14	1 : 2.0	12.5	18.0	2.1	1.5	EP13/D	Globespan	
PM-DSL15	1 : 1.5	2.25	30.0	3.63	3.36	EP13/E		
PM-DSL16	1 : 3.0	2.25	30.0	3.63	1.0	EP13/C		
PM-DSL17	1 : 1.0	1.0	12.0			R/F		
PM-DSL18	1 : 2.0oct	1.0	12.0			R/F		
PM-DSL19	1 : 2.0	3.0	30.0	2.5	1.0	EP13/A	Brooktree	BT8970
PM-DSL20	1 : 1.0	0.43	10.0	.45	.35	EP13/B		
PM-DSL20G	1 : 1.0	0.43	10.0	.45	.35	EP13G/B		
PM-DSL21G	1 : 2.0	3.0	11.0	2.5	1.6	EP13G/A	Brooktree	BT8970
PM-DSL22G	1 : 1.5	2.25	30.0	3.3	3.05	EP13G/C		
PM-DSL23	1 : 2.0	2.0	30.0	2.5	1.25	EP13/A	Brooktree	BT8921/8970
PM-DSL24	1 : 2.0	2.0	11.0	2.5	1.0	EP13/A	Brooktree	BT8921/8970
PM-DSL24G	1 : 2.0	2.0	11.0	2.5	1.0	EP13G/A	Brooktree	BT8921/8970
PM-DSL25	1 : 2.0	3.0	11.0	2.5	1.0	EP13/A	Brooktree	BT8921/8970
PM-DSL25G	1 : 2.0	3.0	11.0	2.5	1.0	EP13G/A	Brooktree	BT8921/8970
PM-DSL26	1 : 2.0	3.5		2.5	1.0	EP13/A	Brooktree	BT8960
PM-DSL26G	1 : 2.0	3.5		2.5	1.0	EP13G/A	Brooktree	BT8960
PM-DSL27	1 : 2.0	8.0		4	2.3	EP13/A	Brooktree	BT8960
PM-DSL27G	1 : 2.0	8.0		4	2.3	EP13G/A	Brooktree	BT8960
PM-DSL28	1 : 2.0	5.0	30.0	3.5	2.2	EP13/A	Brooktree	BT8960
PM-DSL28G	1 : 2.0	5.0	30.0	3.5	2.2	EP13G/A	Brooktree	BT8960
PM-DSL29	1 : 2.0	4.5	30.0	3.0	1.0	EP13/A	Brooktree	BT8960
PM-DSL29G	1 : 2.0	4.5	30.0	3.0	1.0	EP13G/A	Brooktree	BT8960
PM-DSL30	1 : 2.0	2.5	20.0	3.5	1.1	EP13/A	Brooktree	BT8960
PM-DSL30G	1 : 2.0	2.5	20.0	3.5	1.1	EP13G/A	Brooktree	BT8960
PM-DSL31	1 : 2.0	5.8	20.0	2.6	1.0	EP13/A	Brooktree	BT8970
PM-DSL31G	1 : 2.0	5.8	20.0	2.6	1.0	EP13G/A	Brooktree	BT8970
PM-DSL32	1 : 2.0	4.4	11.0	2.6	1.0	EP13/A	Brooktree	BT8970
PM-DSL32G	1 : 2.0	4.4	11.0	2.6	1.0	EP13G/A	Brooktree	BT8970
PM-DSL33	1 : 1.0	3.0	20.0	2.0	1.9	EP13/A	Brooktree	BT8952
PM-DSL33G	1 : 1.0	3.0	20.0	2.0	1.9	EP13G/A	Brooktree	BT8952
PM-DSL34	1 : 1.0	2.0	20.0	2.0	1.9	EP13/A	Brooktree	BT8952
PM-DSL34G	1 : 1.0	2.0	20.0	2.0	1.9	EP13G/A	Brooktree	BT8952
PM-DSL35	1 : 2.0	3.0	20.0	2.5	1.0	EP13/A	Burr Brown	AFC1124

Specifications subject to change without notice.

pm-dslxx 01/02

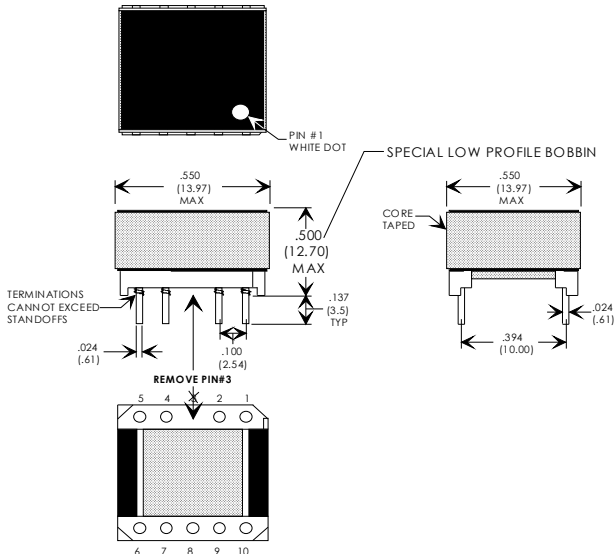
ELECTRICAL SPECIFICATIONS AT 25°C - OPERATING TEMPERATURE RANGE -40°C TO +85°C

PART NUMBER	Ratio (SEC:PRI) ± 3%	Primary OCL (mH TYP.)	PRI - SEC L _L (μH Max.)	DCR (Ω Max)		Package / Schematic	IC Manufacture	IC P/N
				PRI	SEC			
PM-DSL35G	1 : 2.0	3.0	20.0	2.5	1.0	EP13G/A	Burr Brown	AFC1124
PM-DSL36	1 : 1.8	2.95	11.0	3.2	1.8	EP13/A	Burr Brown	AFC1124
PM-DSL36G	1 : 1.8	2.95	11.0	3.2	1.8	EP13G/A	Burr Brown	AFC1124
PM-DSL37G	1 : 1.08	0.480	10.0	0.45	0.35	EP13G/I	Alcatel	MTK-20140
PM-DSL38G	1 : 2.0	0.530	25.0	3.3	1.4	EP7G/J	Globespan	DLC
PM-DSL39	1 : 4.0	2.0	30.0	4.0	0.3	EP13/A		
PM-DSL39G	1 : 4.0	2.0	30.0	4.0	0.3	EP13G/A		
PM-DSL40	1 : 2.0	0.800	10.0	1.5	0.8	EP13/D		
PM-DSL41	1 : 4.0	2.0	20.0	5.0	0.5	EP10/X	Globespan	
PM-DSL41G	1 : 4.0	2.0	20.0	5.0	0.5	EP10G/X	Globespan	
PM-DSL42	1 : 4.0	2.0	30.0	2.4	0.25	EP13/C	Globespan	
PM-DSL43	1 : 4.0	4.0	30.0	4.0	0.4	EP13/C	Globespan	
PM-DSL44	1 : 3.1	3.0	30.0	5.0	0.5	EP13/K	Globespan	
PM-DSL45	1 : 4.0	3.0	30.0	5.0	1.0	EP13/K	Globespan	
PM-DSL46	1 : 4.0	4.0	30.0	6.0	0.5	EP13/L	Globespan	
PM-DSL47	1 : 1.41	0.800	10.0	1.4	1.7	EP13/D		
PM-DSL48	1 : 1.8	2.75	50.0	6.0	3.2	P18-11/M	Brooktree/LV1	SK70704/6
PM-DSL49G	1 : 1.0	0.470	10.0	0.6	0.7	EP13G/I		
PM-DSL50	1 : 5.0	2.0	1.0	1.4	0.35	EP13/L		
PM-DSL51G	1 : 4.0	2.0	17.0	3.0	0.35	EP13G/L	Globespan	
PM-DSL53	1 : 1.0	200	36	10	5	EP13/B	Level One	LXT400/441
PM-DSL53G	1 : 1.0	200	36	10	5	EP13G/B	Level One	LXT400/441
PM-DSL54	1 : 1.0	200	60	8.0	16	EP13/N	Level One	LXT400/441
PM-DSL54G	1 : 1.0	200	60	8.0	16	EP13G/N	Level One	LXT400/441
PM-DSL55	1 : 1.0	40	40	8.0	8.0	EP7/M	Level One	LXT441
PM-DSL55G	1 : 1.0	40	40	8.0	8.0	EP7/M	Level One	LXT/441
PM-DSL56	1 : 2.0	.410	10	.84	.40	EP13/B	Alcatel	MTK-20150/140
PM-DSL56G	1 : 2.0	.410	10	1.40	.70	EP13G/B	Alcatel	MTK-20150/140
PM-DSL57	1 : 1.0	.440	10	1.2	1.0	EP13/B	Alcatel	MTK-20141
PM-DSL58	1 : 1.0	.50		1.65	1.65	EP7/O	Alcatel	1AB071110008
PM-DSL59	1 : 1.0	.24		.70	.70	EP13/P	Alcatel	1AB01965-0026
PM-DSL60	1 : 2.0	1.50	12	2.0	.55	EP13/Q	Texas	THS6012
PM-DSL61	1 : 1.2	4.0	15	5.5	5.5	EP13/R	Motorola	XS143462SK1
PM-DSL61G	1 : 1.2	4.0	15	5.5	5.5	EP13G/R	Motorola	XS143462SK1
PM-DSL62	1 : 1.0	.40	10	1.4	1.3	EP13/I	Alcatel	MTK-20141
PM-DSL62G	1 : 1.0	.40	10	1.4	1.3	EP13G/I	Alcatel	MTK-20141
PM-DSL63	1 : 1.42	1.5	18	4.0	.75	EP13/Q	Texas	TNETD4000R
PM-DSL64	1 : 1.8	3.0	30	3.0	2.2	EP13/S	Level One	SK70704/706/
PM-DSL64G	1 : 1.8	3.0	30	3.0	2.2	EP13G/S	Level One	SK70704/706/
								725/721
PM-DSL65	1 : 1.0	1.25	12	1.3	1.3	EP13/B	Lucent	LEO1
PM-DSL66	1 : 1.27	18	12	1.3	.85	EP13/T	Analog Devices	AD20msp918
PM-DSL67	1 : 1.41	.475	10	1.1	.90	EP13/T	Globespan	DMT IC
PM-DSL67G	1 : 1.41	.475	10	1.1	.90	EP13G/T	Globespan	DMT IC

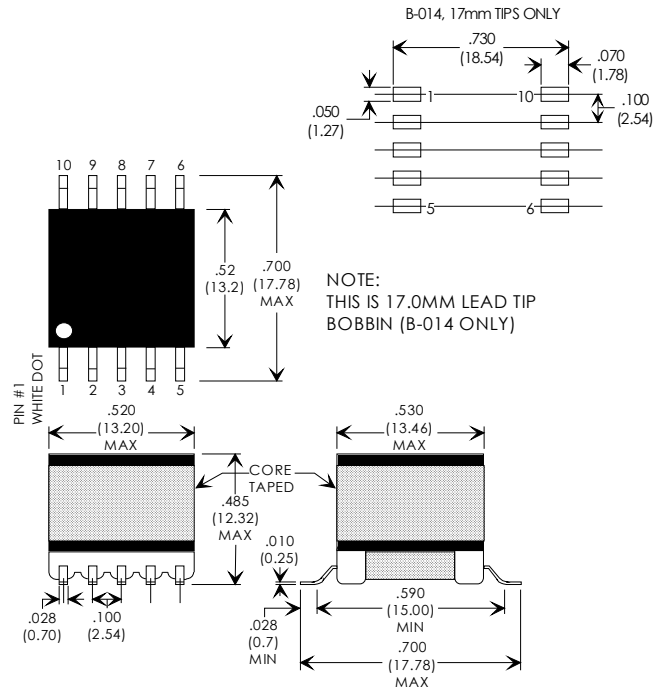
ELECTRICAL SPECIFICATIONS AT 25°C - OPERATING TEMPERATURE RANGE -40°C TO +85°C

PART NUMBER	Ratio (SEC:PRI) ± 3%	Primary OCL (mH TYP.)	PRI - SEC L _L (μH Max.)	DCR (Ω Max)		Package / Schematic	IC Manufacture	IC P/N
				PRI	SEC			
PM-DSL68G	1 : 1.27	17.6	12	1.4	.85	EP13G/T	Analog Devices	AD20msp918
PM-DSL69	1 : 2.2	3.0	11	2.5	1.0	EP13/D	Globespan	HDSL2
PM-DSL70	1 : 3.3	.800	10	1.1	.40	EP13/D	Conexant	20441
PM-DSL70G	1 : 3.3	.800	10	1.1	.40	EP13G/D	Conexant	20441
PM-DSL71	1 : 1.41	.100	12	1.0	1.0	EP13G/B	Globespan	DSL
PM-DSL72G	1 : 2.0	.100	12	1.4	.50	EP13G/B	Globespan	DSL
PM-DSL73G	1 : 4.0	2.0	12	2.5	1.0	EP13G/A	Globespan	MDSL
PM-DSL74G	1 : 5.4	3.0	12	2.2	.44	EP13G/A	Globespan	MDSL2
PM-DSL75	1 : 1.1	2.0	10	2.6	2.4	EP13/T	Analog Devices	AD20msp930
PM-DSL75G	1 : 1.1	2.0	10	2.6	2.4	EP13G/T	Analog Devices	AD20msp930
PM-DSL76G	1 : 1.0	.440	5	2.0	1.0	EP13G/T	Centillium	CT-L41SC04
PM-DSL77G	1 : 1.8	.450	6	1.6	.30	EP13G/I	Analog Devices	CT-L50SC04
PM-DSL78	1 : 2.0	.800	10	1.4	.80	EP13/D	Conexant	CN9001
PM-DSL79G	1 : 1.0	5.0	18	1.65	1.65	EP13G/T	Centillium	CT-L41ST01
PM-DSL80	1 : 1.27	17.6	12	1.8	1.0	EP13/T	Analog Devices	AD20msp918
PM-DSL81	1 : 2.3	2.0	35	1.6	.85	EP13/D	Level One	SK 70740
PM-DSL82G	1 : 5.4	2.0	18	5.0	.30	EP10/X	Globespan	
PM-DSL83G	1 : 1.0	200	60	18.5	18.5	EP13/N	Level One	LXT400
PM-DSL84	1 : 7.48	3.0	38	6.0	0.30	EP13/V		
PM-DSL84G	1 : 7.48	3.0	38	6.0	0.30	EP13G/V		
PM-DSL85	1 : 5.4	3.0	15	3.2	0.35	EP13/W	Globespan	GS 2237/GS3137
PM-DSL85G	1 : 5.4	3.0	15	3.2	0.35	EP13G/W	Globespan	GS 2237/GS3137
PM-DSL86	1 : 4.0	2.0	13	2.5	0.35	EP13/W		
PM-DSL87	1 : 2.14	3.2	30	3.74	2.0	EP13/Y		
PM-DSL88	1 : 4.0	2.0	32			EP17/Z	Globespan	HDSL
PM-DSL89	1 : 2.0	2.0	30	5.2	1.46	EP13/V		
PM-DSL89G	1 : 2.0	2.0	30	5.2	1.46	EP13G/V		
PM-DSL90	1 : 1.0	250	60	20.0	20.0	EP13/N		
PM-DSL91	1:1:1:1	0.8		5.0	5.0	EP13/AA		
PM-DSL92	1 : 5.4	3.00	15	4.0	0.35	EP13/V	Globespan	GS 2237/GS3137
PM-DSL92G	1 : 5.4	3.00	15	4.0	0.35	EP13G/V	Globespan	GS 2237/GS3137
PM-DSL93G	1 : 3.4	3.2	15	3.1	0.44	EP13G/V	METALINK	
PM-DSL95G	1 : 1.8	2.75	15	5.0	2.3	EP13G/V	METALINK	
PM-DSL96G	1 : 2.0	2.00	10	2.5	1.4	EP13G/AB		
PM-DSL97G	1 : 2.0	410	15	1.4	0.70	EP13G/B		
PM-DSL98G	1 : 3.4	3.25	16	3.0	0.44	EP13G/V	METALINK	
PM-DSL99	1 : 5.4	3.00	15	1.50	0.35	EP13/V		
PM-DSL99G	1 : 5.4	3.00	15	1.50	0.35	EP13G/V		
PM-DSL102	1 : 2.76	2.00	25	3.2	1.6	EP13/R		
PM-DSL102G	1 : 2.76	2.00	25	3.2	1.6	EP13G/R		
PM-DSL103	1 : 4.4	2.50	0.35			EP13/AE		
PM-DSL103G	1 : 4.4	2.50	0.35			EP13G/AE		
PM-DSL105G	1 : 4.0	2.05	15	3.0	0.45	EP13G/V	Globespan	

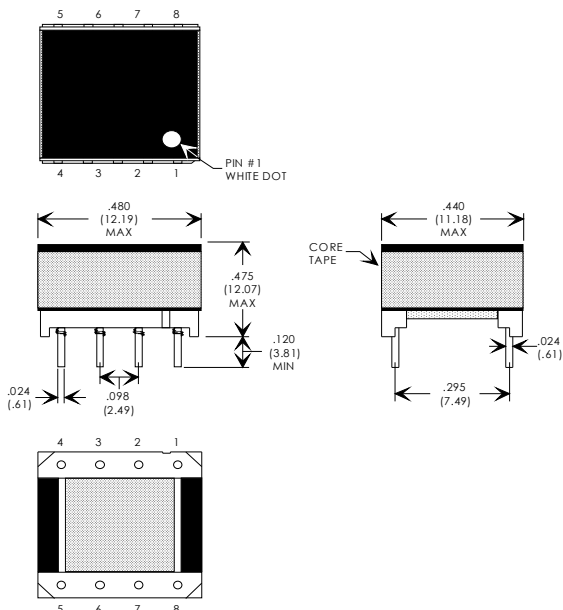
MECH. PKG. "EP13"



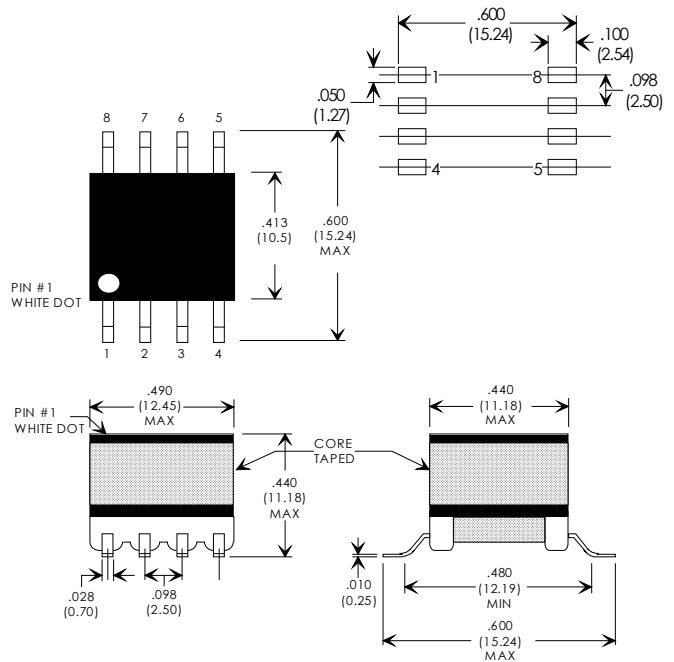
MECH. PKG. "EP13G"



MECH. PKG. "EP10"



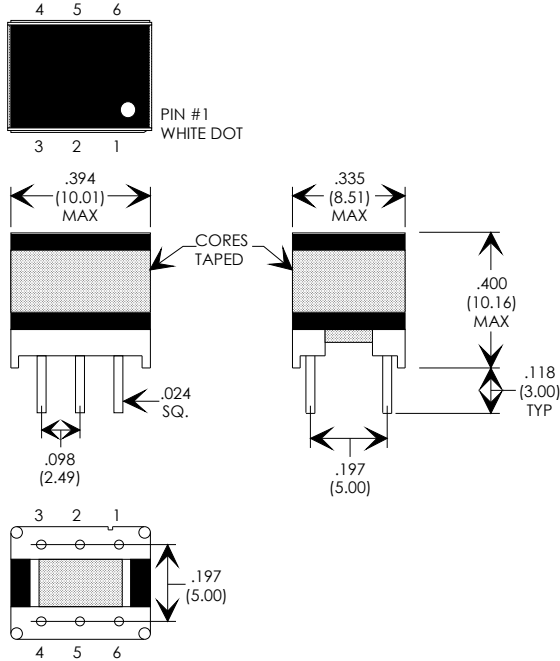
MECH. PKG. "EP10G"



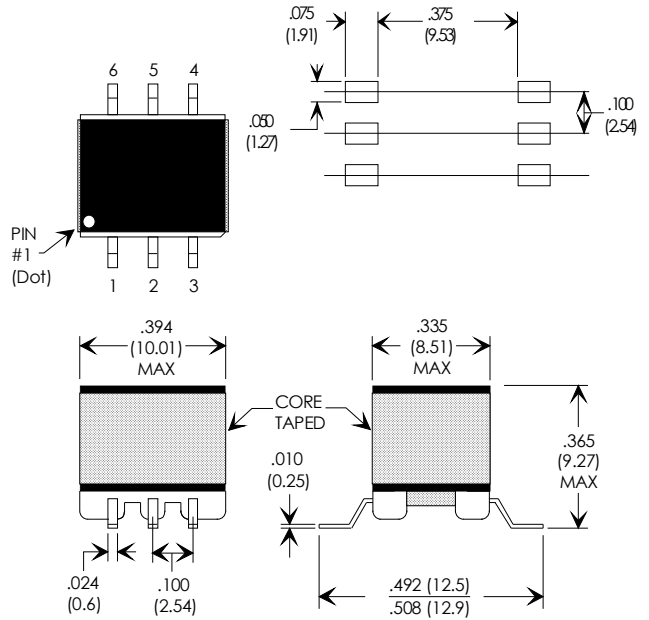
Specifications subject to change without notice.

pm-dslxx 06/00

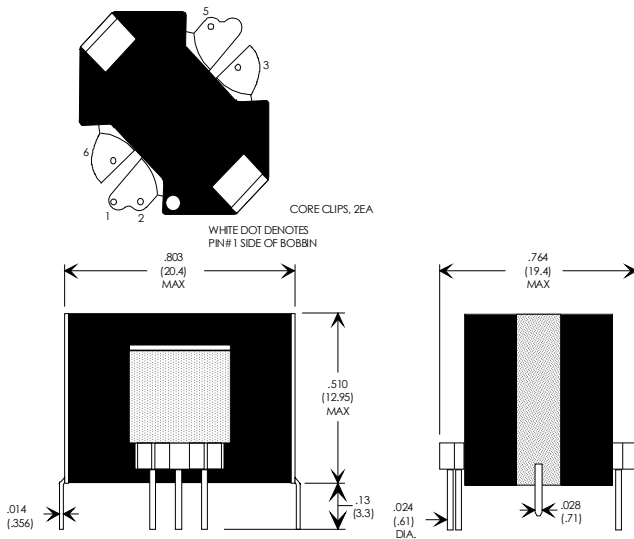
MECH. PKG. "EP7"



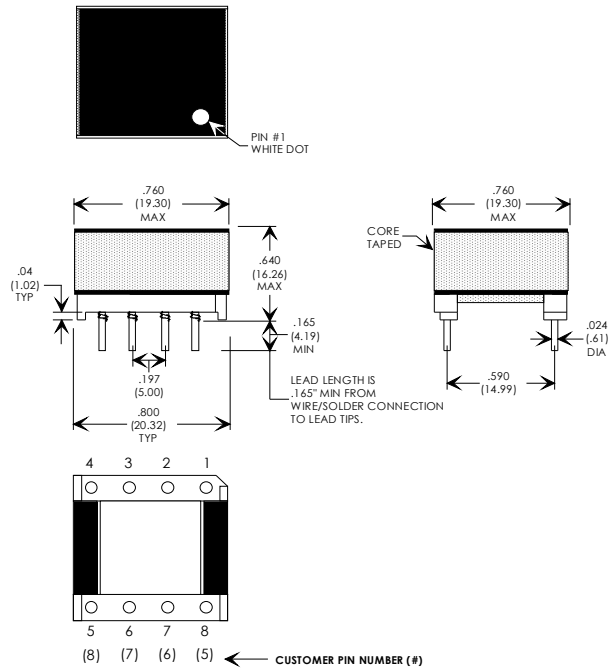
MECH. PKG. "EP7G"



MECH. PKG. "R"



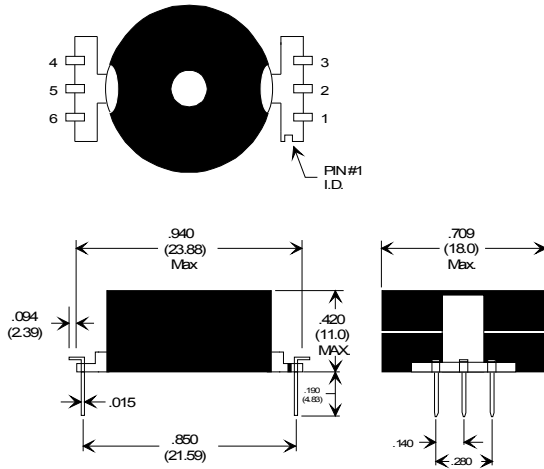
MECH. PKG. "EP17"



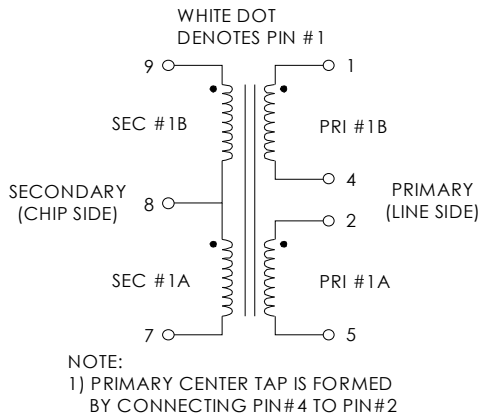
Specifications subject to change without notice.

pm-dslxx 01/02

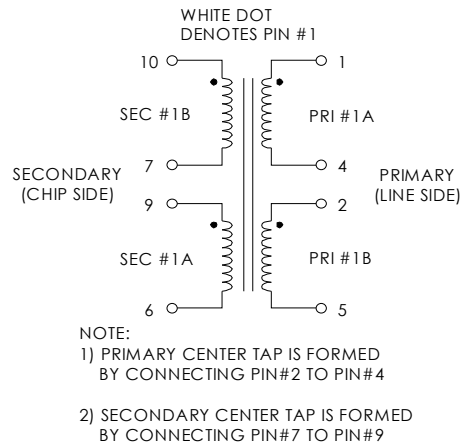
MECH. PKG. "P18/11"



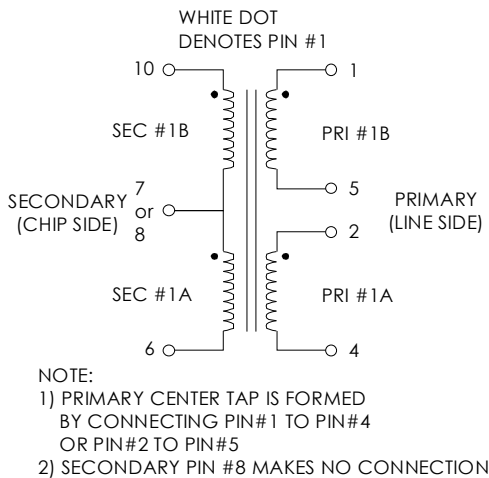
PM-DSLxx SCHEMATIC "A"



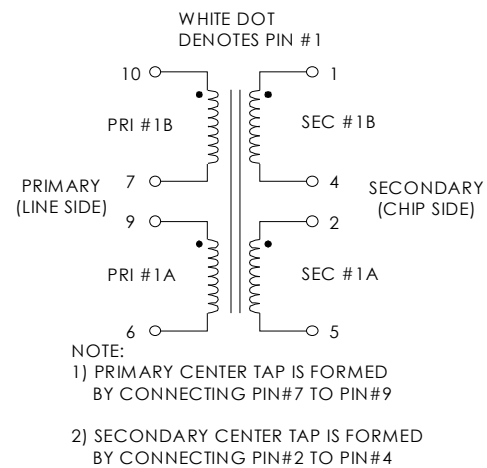
PM-DSLxx SCHEMATIC "B"



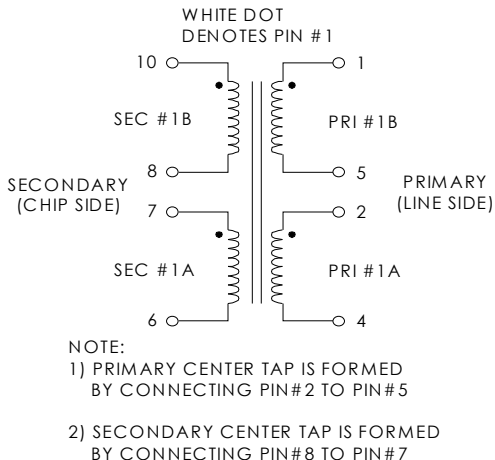
PM-DSLxx SCHEMATIC "C"



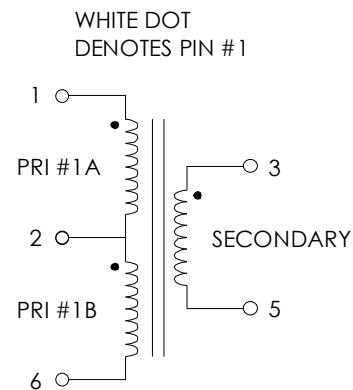
PM-DSLxx SCHEMATIC "D"



PM-DSLxx SCHEMATIC "E"



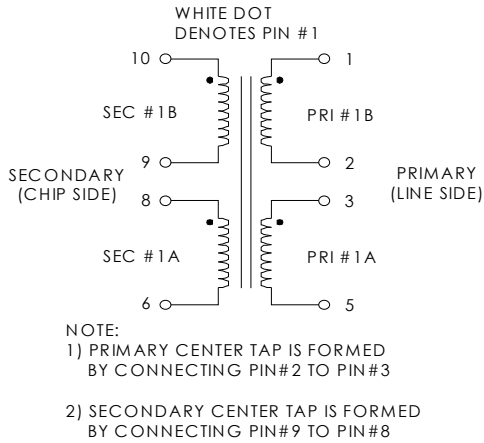
PM-DSLxx SCHEMATIC "F"



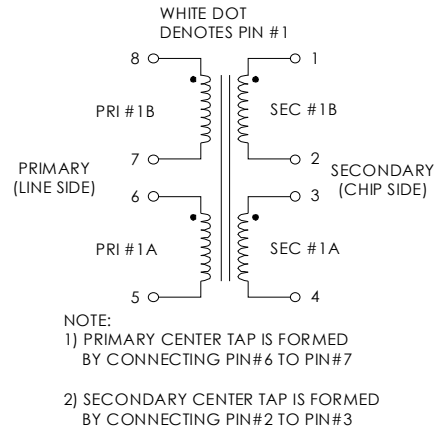
Specifications subject to change without notice.

pm-dslxx 01/02

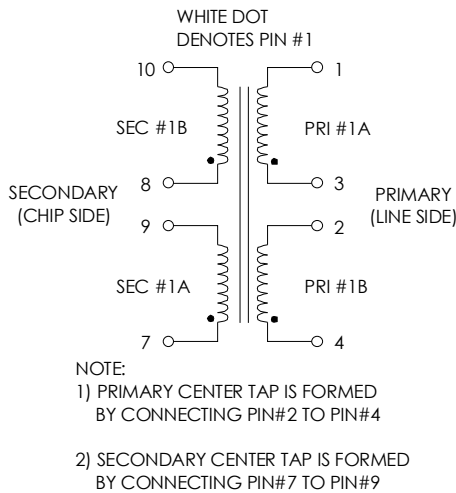
PM-DSLxx SCHEMATIC "G"



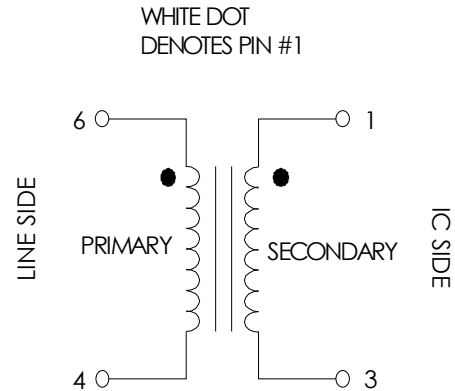
PM-DSLxx SCHEMATIC "H"



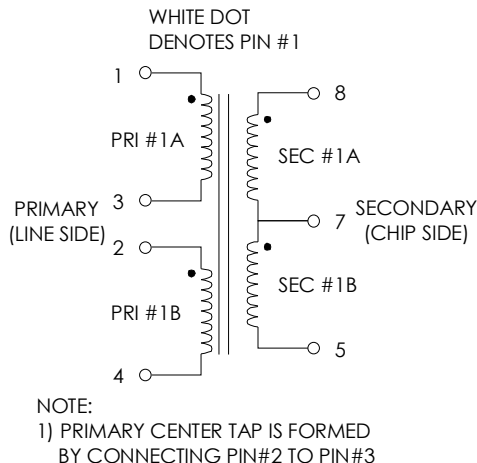
PM-DSLxx SCHEMATIC "I"



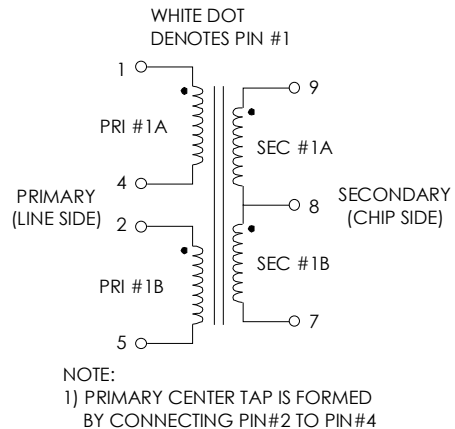
PM-DSLxx SCHEMATIC "J"



PM-DSLxx SCHEMATIC "K"



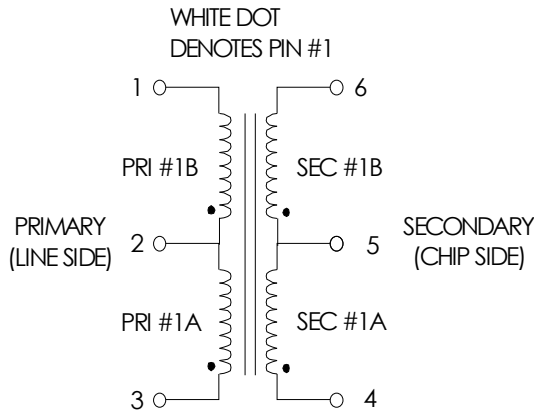
PM-DSLxx SCHEMATIC "L"



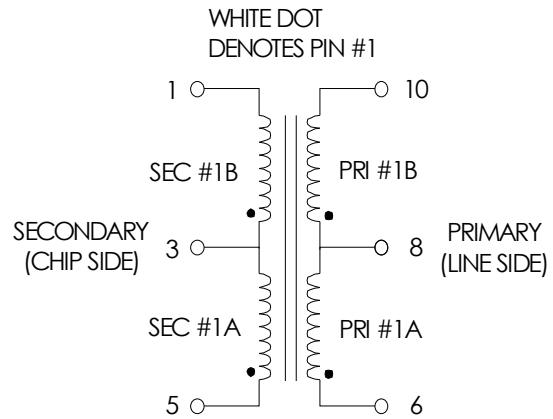
Specifications subject to change without notice.

pm-dslxx 06/00

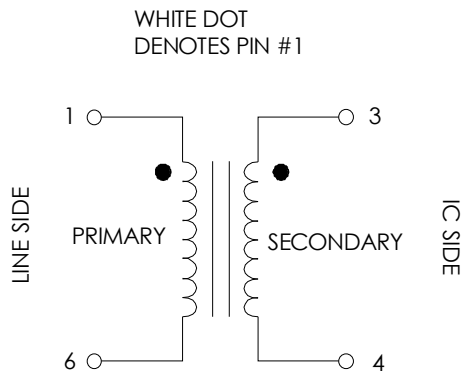
PM-DSLxx SCHEMATIC "M"



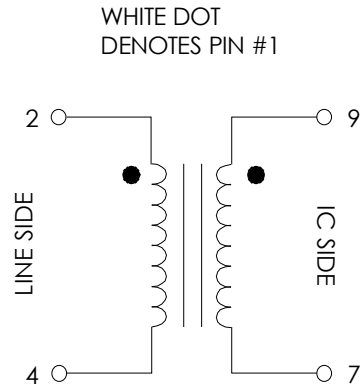
PM-DSLxx SCHEMATIC "N"



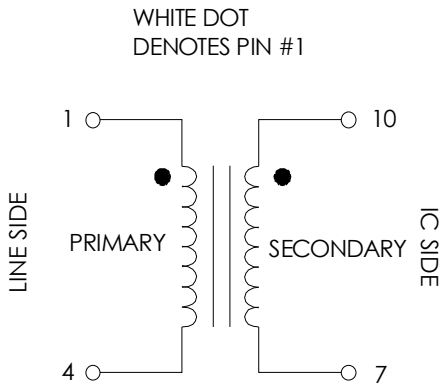
PM-DSLxx SCHEMATIC "O"



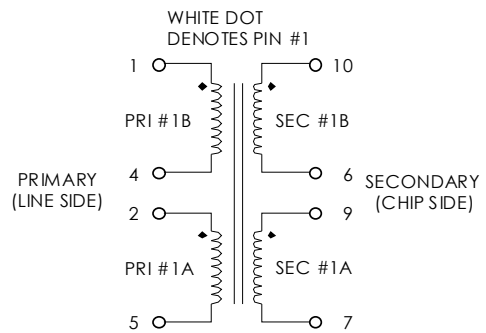
PM-DSLxx SCHEMATIC "P"



PM-DSLxx SCHEMATIC "Q"

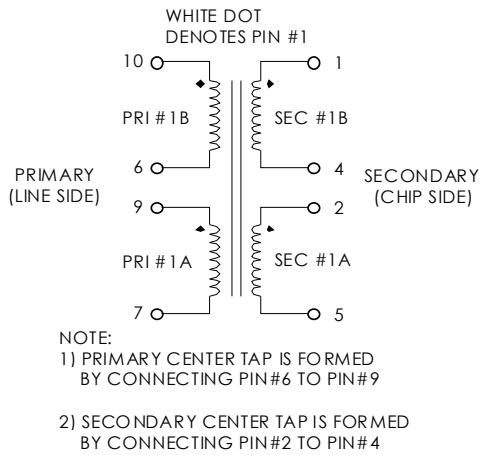


PM-DSLxx SCHEMATIC "R"

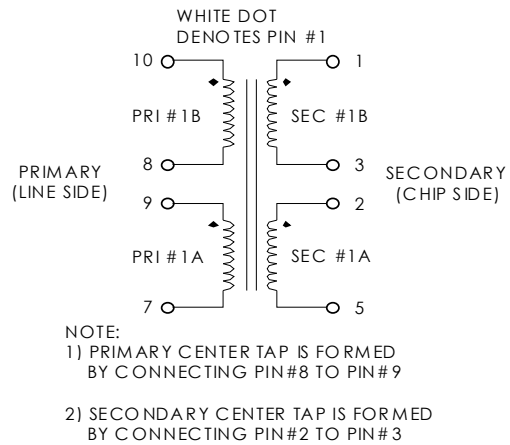


- NOTE:
- 1) PRIMARY CENTER TAP IS FORMED BY CONNECTING PIN#2 TO PIN#4
 - 2) SECONDARY CENTER TAP IS FORMED BY CONNECTING PIN#6 TO PIN#9

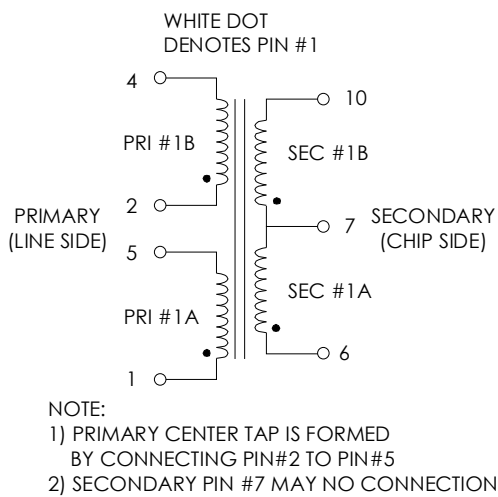
PM-DSLxx SCHEMATIC "S"



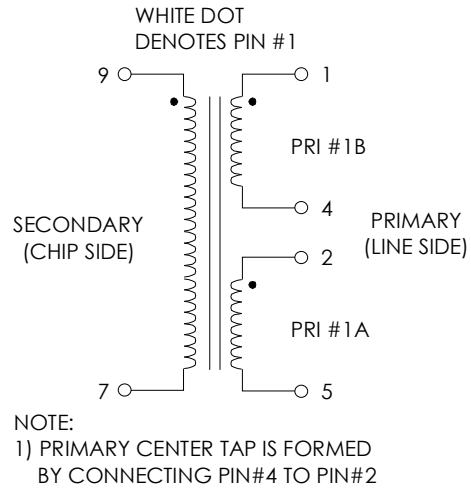
PM-DSLxx SCHEMATIC "T"



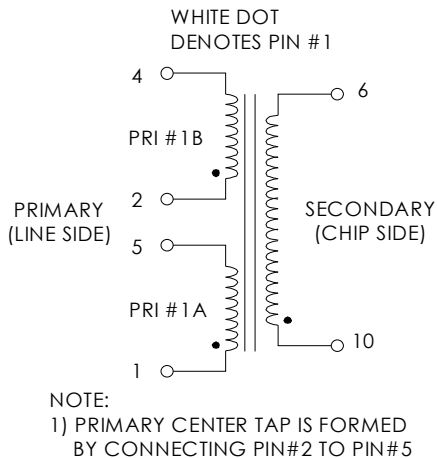
PM-DSLxx SCHEMATIC "U"



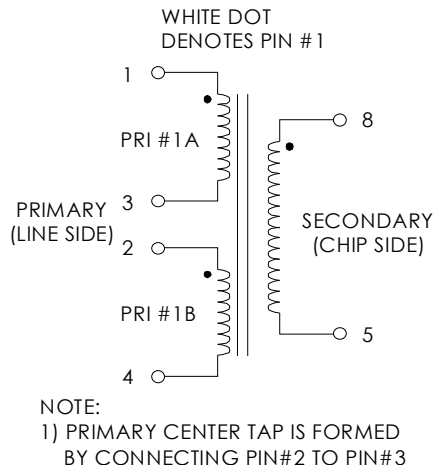
PM-DSLxx SCHEMATIC "V"



PM-DSLxx SCHEMATIC "W"



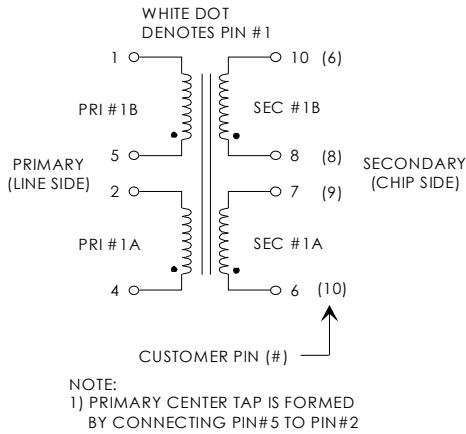
PM-DSLxx SCHEMATIC "X"



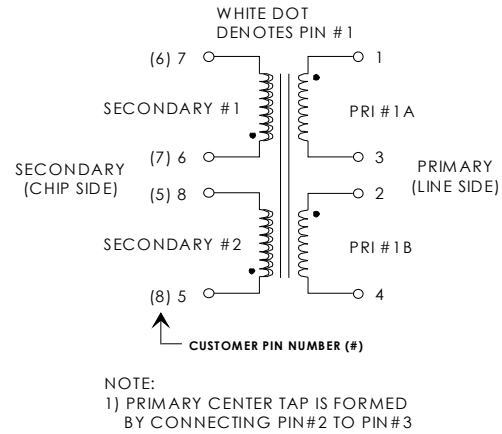
Specifications subject to change without notice.

pm-dslxx 06/00

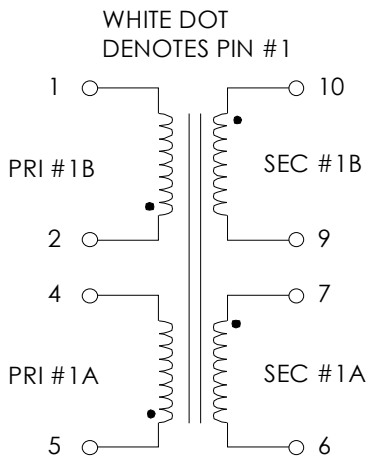
PM-DSLxx SCHEMATIC "Y"



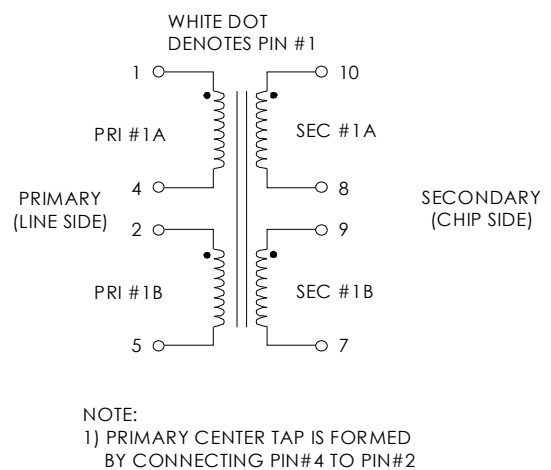
PM-DSLxx SCHEMATIC "Z"



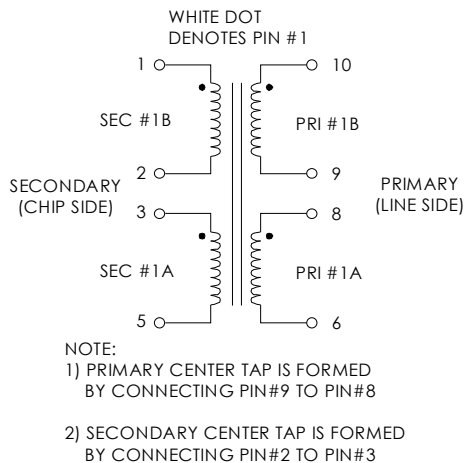
PM-DSLxx SCHEMATIC "AA"



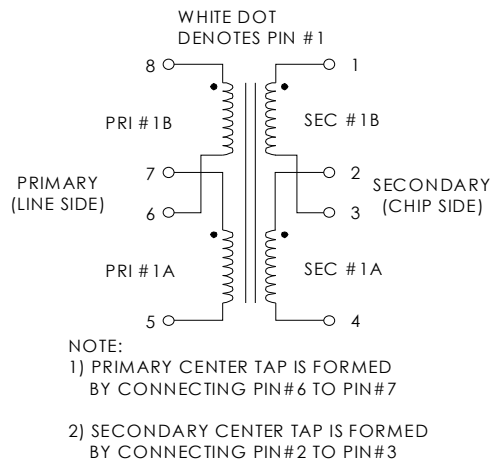
PM-DSLxx SCHEMATIC "AB"



PM-DSLxx SCHEMATIC "AC"



PM-DSLxx SCHEMATIC "AD"



PM-DSLxx SCHEMATIC "AE"

