

TRANSFORMER FOR DIGITAL AUDIO DATA TRANSMISSION

"RoHS"

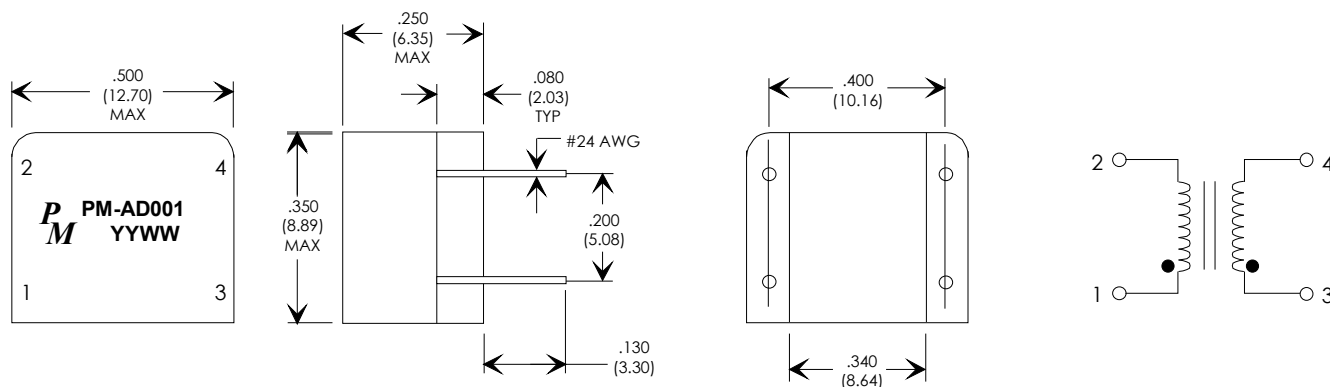
- * Operating transmission rates: 1 to 7 Mbps.
- * Controlled rise time: 25 nsec Maximum.
- * High isolation voltage: 2 kV Minimum.
- * Inductance test at 100KHz.
- * RoHS Compliance

ELECTRICAL SPECIFICATIONS AT 25°C - OPERATING TEMPERATURE RANGE 0°C TO +70°C

PART NUMBER	Turns Ratio (±42%)	PRI Inductance (mH ± 20%)	PRI L _L (μH Max)	Rise Time nsec (Max)	ET V-μsec (Max)	Bandwidth 100KHz-55MHz (Typ)	Return Loss 100KHz-10MHz (Min)	Isolation (Vrms MIN.)	Schematic
PM-AD001	1:1	2.5	0.5	25	20	3 dB	20 dB	2000	THT
PM-AD001S	1:1	2.5	0.5	25	20	3 dB	20 dB	2000	SMT
PM-AD002S	2:1	3.0	0.8	25	20	3 dB	20 dB	2000	SMT

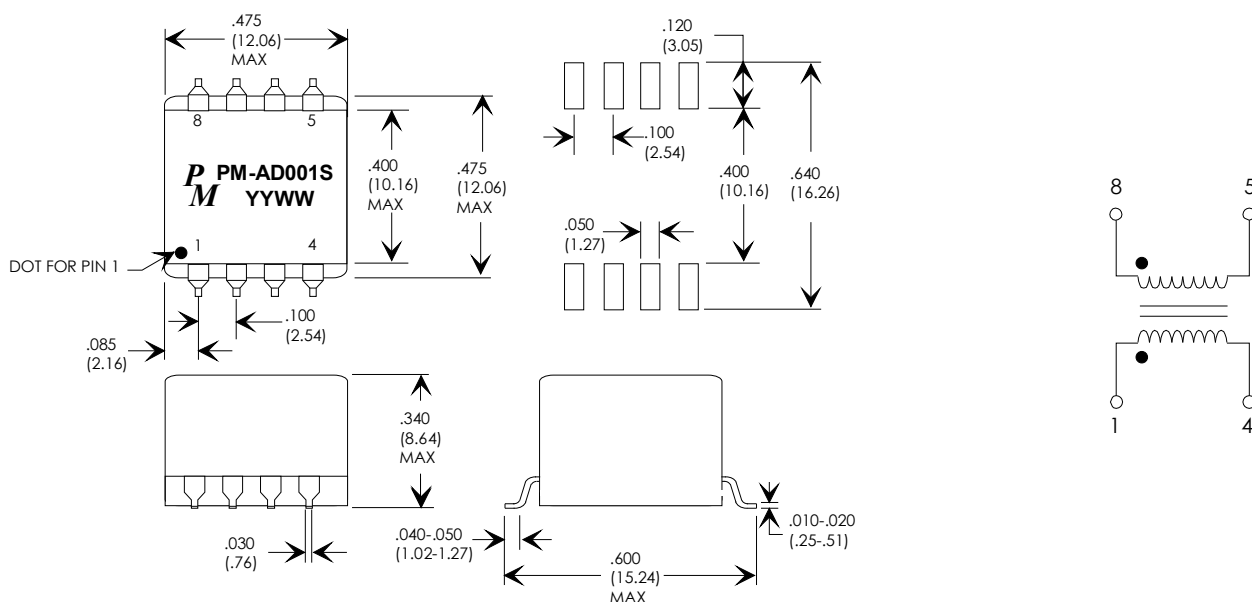
PM-AD001

SCHEMATIC



PM-AD001S

SCHEMATIC



Specifications subject to change without notice.

pm-adxxxx 12/05

