

10G BASE-T MAGNETICS MODULES

- * Compliant With IEEE 802.3 standard.
- * Low profile package for PCI Express.
- * RoHS.
- * Peak Reflow temp = 245C.

RoHS

ELECTRICAL SPECIFICATIONS AT 25°C - OPERATING TEMPERATURE RANGE 0°C TO +70°C

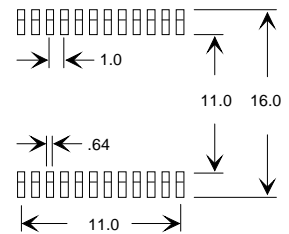
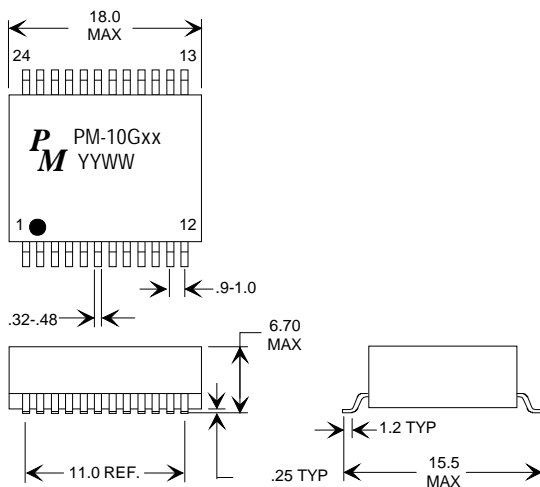
PART NUMBER	Turns Ratio	Return Loss (dB Min)		Insertion Loss (dB Typ)			Crosstalk (dB Typ)		Common to Differential Mode Rejection (dB Typ)	Hipot Vrms	Package/Schematic
		1-40 MHz	40-500 MHz	1-300 MHz	300-400 MHz	400-500 MHz					
PM-10G01	1ct:1ct	-18	-17*	-1.0	-1.2	-2.0	-40	-30	-22	1500	A/01
PM-10G02	1ct:1ct	-18	-17*	-1.0	-1.2	-2.0	-40	-30	-22	1500	A/02
PM-10G03	1ct:1ct	-18	-17*	-1.0	-1.2	-2.0	-40	-30	-22	1500	A/03

* = $+10\lg(F/40\text{MHz})$

PACKAGE A

All Dimensions in mm
Tolerance: .xx ±0.25

PCB LAYOUT



10G BASE-T MAGNETICS MODULES

SCHEMATICS

RoHS

