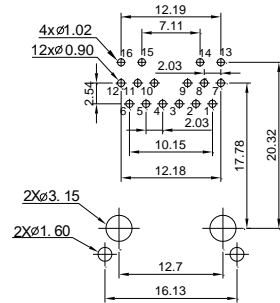
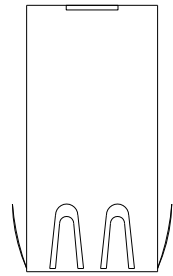
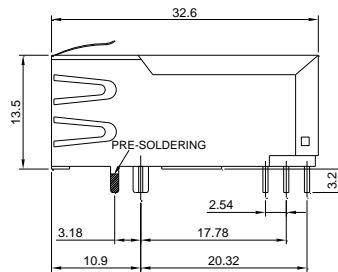
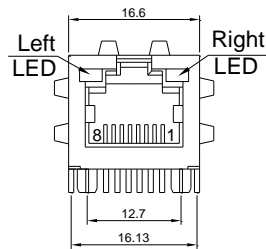


# Mechanicals Dimensions

REV.	DESCRIPTION	DATE	DWN	AP'PD

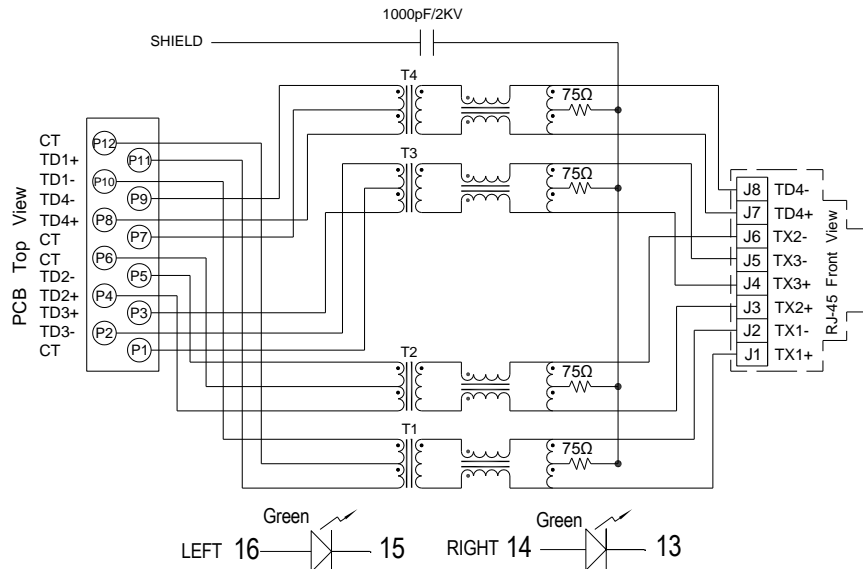


PC Board Layout  
Component Side Shown



UNIT:mm Unless otherwise specified, all tolerances are  $\pm 0.25$

# Schematics



# ≡、 ELECTRICAL SPECIFICATIONS@25°C:

1. Turn Ratio( $\pm 5\%$ ): 1CT:1
2. OCL(100KHz/0.1V@8mA): 350uH MIN.
3. Insertion Loss(dB MAX): -1.0dB(1-100MHz)
4. Return Loss (dB TYP): -20dB(1-10MHz),-16dB(30MHz),-12dB(60-80MHz),  
-10dB(80-100MHz)
5. Cross Talk (dB TYP): -40dB(1-10MHz),-35dB(32-65MHz),-30dB(65-100MHz)
6. CMR (dB TYP): -30dB(1-125MHz),-20dB(125-500MHz),
7. HI-POT: 1500Vrms/0.5mA/60Sec or 1650Vrms/0.5mA/2Sec
8. Operating Temperature:0°C TO +70°C

	<b>PREMIER MAGNETICS</b> Tel: 949-452-0511. www.premiermag.com		
	<b>1000 Base-T Single Port RJ45 Integrated Connector Module</b>		
TITLE	1000 Base-T Single Port RJ45 Integrated Connector Module		
P/N	RJ56-1305GGD2	REV.	0
PAGE NO	1-4	DATE	06/04/2009
AP'PD	Peter Pham	DWN	Huu Anh

## Mechanicals

### Housing Material:

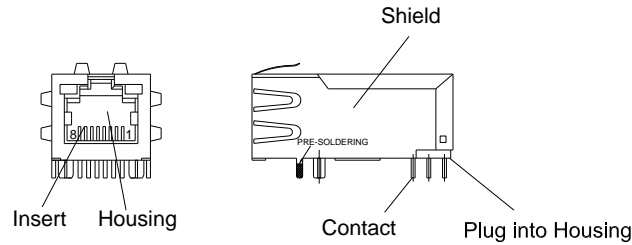
MATERIAL: PA66+30%GF UL94V-0 STANDARD COLOR:BLACK

### Insert Material:

MATERIAL: Phos-Bronze Qsn6.5-0.1---0.35mm Thickness

Insert -PBT GF UL94V-0

- 1.PLATING(1) NICKEL
- 2.PLATING(2) 100% Sn
- 3.PLATING(3) GOLD (6u " )



### Housing Material:

PBT+30%GF UL 94V-0

### Contact pin Material:

MATERIAL: Phos-Bronze Qsn6.5-0.1---0.35mm Thickness

- 1.PLATING(1) NICKEL
- 2.PLATING(2) 100% Sn

### Shielding Material:

BRASS H65Y---0.20mm THICKNESS PLATING NICKEL

Operating Life: 750 Cycles MIN.

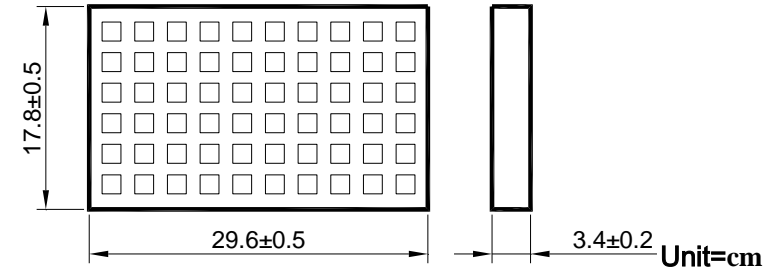
## Environmental

- 1.Storage Temp:-40°C TO +85°C.
- 2.Operating Temp: 0°C TO +70°C
3. MATES WITH MODULAR PLUG CONFORMING TO FCC PART 68,SUBPARTF.

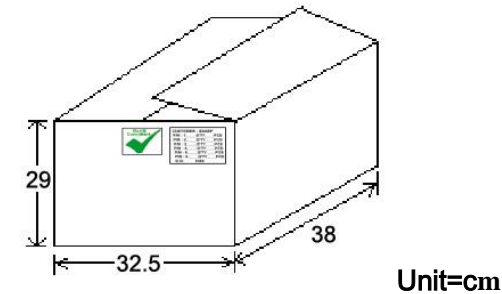
REV.	DESCRIPTION	DATE	DWN	AP'PD

## Packaging

1. packaging unit : 60 PCS/tray
2. packaging material : PET



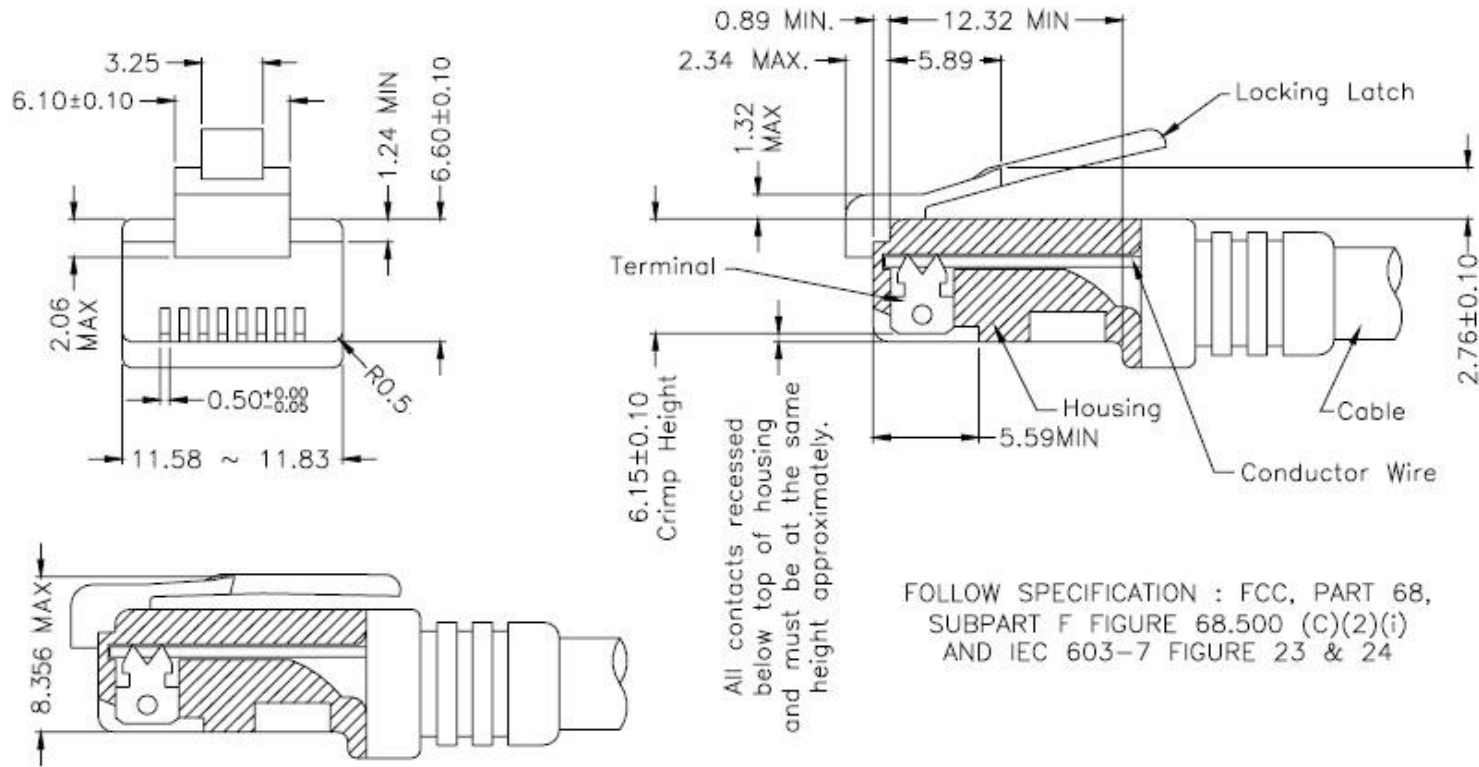
3. outer carton unit : 960 pcs/ 16 Trays/box



			<b>PREMIER MAGNETICS</b>	
	Tel: 949-452-0511. www.premiermag.com			
	TITLE	<b>1000 Base-T Single Port Rj45 Integrated Connector Module</b>		
	P/N	RJ56-1305GGD2	REV.	0
	PAGE NO	2-4	DATE	06/04/2009
AP'PD	Peter Pham	DWN	Huu Anh	

# RJ PLUG SPECIFICATION



REV.	DESCRIPTION	DATE	DWN	AP'PD



FOLLOW SPECIFICATION : FCC, PART 68, SUBPART F  
FIGURE 68.500 (C)(2)(ii)

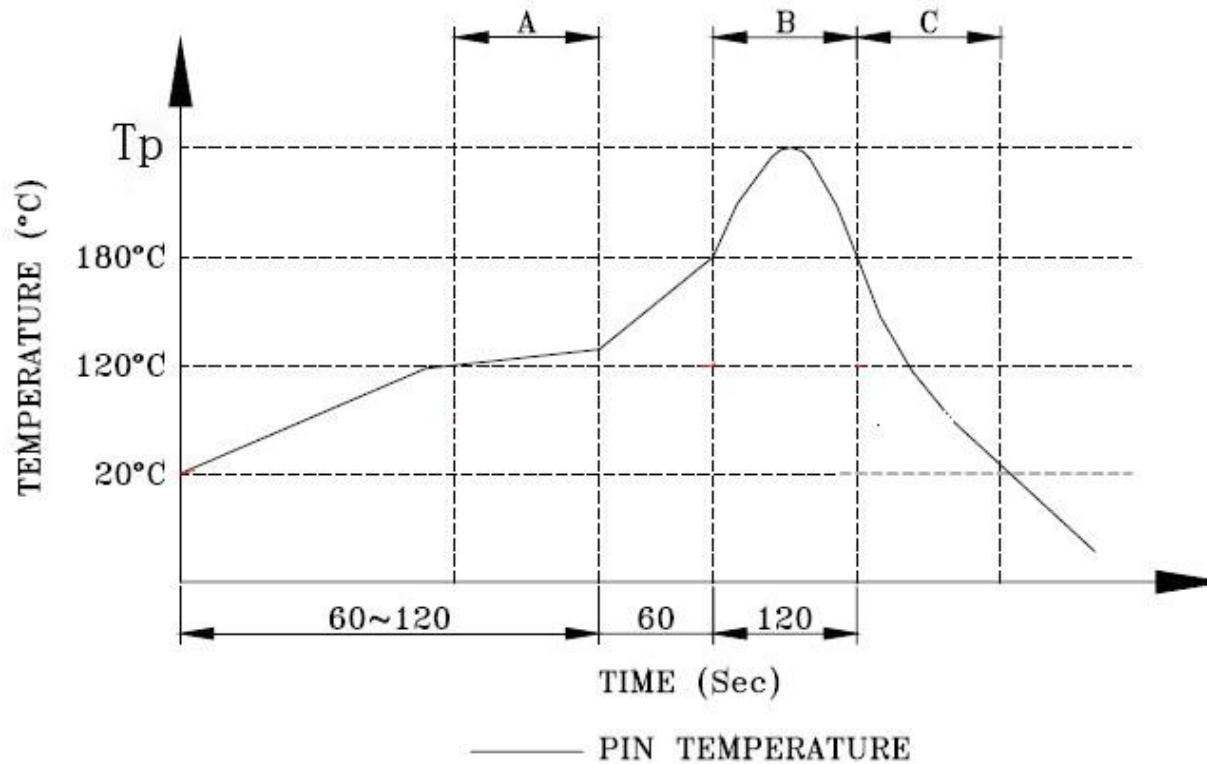
FOLLOW SPECIFICATION : FCC, PART 68,  
SUBPART F FIGURE 68.500 (C)(2)(i)  
AND IEC 603-7 FIGURE 23 & 24

## STANDARD MODULAR PLUG ASSEMBLY

	 <b>PREMIER MAGNETICS</b> Tel: 949-452-0511. www.premiermag.com	
	<b>1000 Base-T Single Port Rj45 Integrated Connector Module</b>	
	TITLE	P/N
	P/N	REV.
	PAGE NO	DATE
AP'PD	DWN	
AP'PD	Huu Anh	

# PROFILE OF WAVE SOLDER

REV.	DESCRIPTION	DATE	DWN	AP'PD



A. Preheating    B. Soldering    C. Gradual Cooling

## SUGGESTED WAVE SOLDER CURVER

1. Peak temperature( $T_p$ ) :  $250 \pm 10^\circ\text{C}$
2. Peak temperature( $T_p$ ) time : 5sec max

**RoHS**  
Compliant



**PREMIER MAGNETICS**

Tel: 949-452-0511. [www.premiermag.com](http://www.premiermag.com)

TITLE	1000 Base-T Single Port Rj45 Integrated Connector Module		
P/N	RJ56-1305GGD2	REV.	0
PAGE NO	4-4	DATE	06/04/2009
AP'PD	Peter Pham	DWN	Huu Anh