

SHROUDED SPLIT BOBBIN HIGH ISOLATION POWER TRANSFORMERS

Parts are UL & CSA Recognized Under UL File E244637

- * 115/230V, 50/60Hz Dual Primaries
- * Low Capacitive Coupling Minimizes Line Noise
- * Dual Secondaries May Be Series -OR- Parallel Connected

- * PVD-SERIES 6-SIZES: 2.5 TO 56VA
- * 4000Vrms Isolation (Hi-Pot)
- * Shrouded Split Bobbin Construction

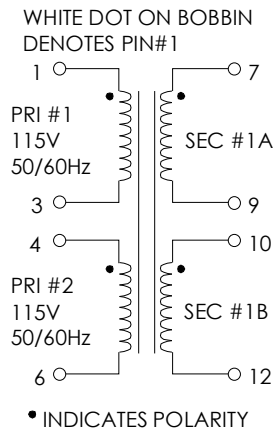
ELECTRICAL SPECIFICATIONS AT 25°C - OPERATING TEMPERATURE RANGE -40°C TO +85°C

P/N DUAL 115/230V	SIZE (VA)	SECONDARY RMS RATINGS	
		SERIES	PARALLEL
PVD-102	2.5	10V C.T. @ .25A	5V @ .50A
PVD-105	5	10V C.T. @ .50A	5V @ 1.00A
PVD-1010	10	10V C.T. @ 1.00A	5V @ 2.00A
PVD-1020	20	10V C.T. @ 2.00A	5V @ 4.00A
PVD-1030	30	10V C.T. @ 3.00A	5V @ 6.00A
PVD-1056	56	10V C.T. @ 5.60A	5V @ 11.20A
PVD-122	2.5	12.6V C.T. @ .20A	6.3V @ .40A
PVD-125	5	12.6V C.T. @ .40A	6.3V @ .80A
PVD-1210	10	12.6V C.T. @ .80A	6.3V @ 1.60A
PVD-1220	20	12.6V C.T. @ 1.60A	6.3V @ 3.20A
PVD-1230	30	12.6V C.T. @ 2.40A	6.3V @ 4.80A
PVD-1256	56	12.6V C.T. @ 4.40A	6.3V @ 8.80A
PVD-162	2.5	16V C.T. @ .15A	8V @ .30A
PVD-165	5	16V C.T. @ .31A	8V @ .62A
PVD-1610	10	16V C.T. @ .62A	8V @ 1.25A
PVD-1620	20	16V C.T. @ 1.25A	8V @ 2.50A
PVD-1630	30	16V C.T. @ 1.90A	8V @ 3.80A
PVD-1656	56	16V C.T. @ 3.50A	8V @ 7.00A
PVD-202	2.5	20V C.T. @ .12A	10V @ .24A
PVD-205	5	20V C.T. @ .25A	10V @ .50A
PVD-2010	10	20V C.T. @ .50A	10V @ 1.00A
PVD-2020	20	20V C.T. @ 1.00A	10V @ 2.00A
PVD-2030	30	20V C.T. @ 1.50A	10V @ 3.00A
PVD-2056	56	20V C.T. @ 2.80A	10V @ 5.60A

* THIS PART NOT UNDER UL RECOGNIZED

P/N DUAL 115/230V	SIZE (VA)	SECONDARY RMS RATINGS	
		SERIES	PARALLEL
PVD-242	2.5	24V C.T. @ .10A	12V @ .20A
PVD-245	5	24V C.T. @ .21A	12V @ .42A
PVD-2410	10	24V C.T. @ .42A	12V @ .84A
PVD-2420	20	24V C.T. @ .83A	12V @ 1.66A
PVD-2430	30	24V C.T. @ 1.25A	12V @ 2.50A
PVD-2456	56	24V C.T. @ 2.33A	12V @ 4.66A
PVD-282	2.5	28V C.T. @ .09A	14V @ .18A
PVD-285	5	28V C.T. @ .18A	14V @ .36A
PVD-2810	10	28V C.T. @ .36A	14V @ .72A
PVD-2820	20	28V C.T. @ .72A	14V @ 1.44A
PVD-2830	30	28V C.T. @ 1.06A	14V @ 2.12A
PVD-2856	56	28V C.T. @ 2.00A	14V @ 4.00A
PVD-362	2.5	36V C.T. @ .07A	18V @ .14A
PVD-365	5	36V C.T. @ .14A	18V @ .28A
PVD-3610	10	36V C.T. @ .28A	18V @ .56A
PVD-3620	20	36V C.T. @ .56A	18V @ 1.12A
PVD-3630	30	36V C.T. @ .82A	18V @ 1.64A
PVD-3656	56	36V C.T. @ 1.56A	18V @ 3.12A
PVD-482*	2.5	48V C.T. @ .052A	24V @ .10A

SCHEMATIC



APPLICATION

DUAL PRIMARIES:

Series for 230V - 50/60Hz
Parallel for 115V - 50/60Hz

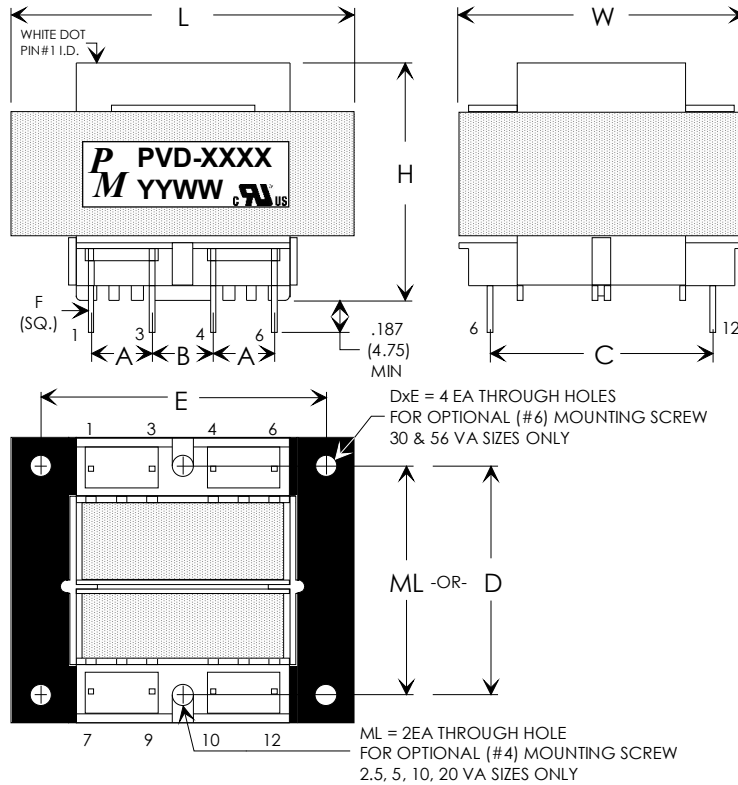
HI-POT:

4000Vac Primary To Secondary
4000Vac Windings to Core
130°C Insulation System

Note: Primary and Secondary windings are designed to be used as one primary & one secondary winding. That is, they must each be used simultaneously either parallel or series connected.

SHROUDED SPLIT BOBBIN HIGH ISOLATION POWER TRANSFORMERS

PVD-XXX MECHANICAL



SIZE (VA)	NOMINAL DIMENSIONS IN INCHES									
	L	W	H	A	B	C	ML	D ¹	E ¹	F
2.5	1-5/8	1-5/16	1.125	.200	.250	1.000	1-1/16	-----	-----	.025
5	1-5/8	1-5/16	1.375	.200	.400	1.000	1-1/16	-----	-----	.025
10	1-7/8	1-9/16	1.375	.200	.400	1.128	1-1/4	-----	-----	.036
20	2-1/4	1-7/8	1.625	.400	.400	1.436	1-1/2	-----	-----	.036
30	2-5/8	2-3/16	1.575	.550	.275	1.680	-----	1-3/4	2-3/16	.045
56	3.000	2.500	1.820	.600	.300	1.866	-----	2.000	2-1/2	.045

NOTES:

- 1) 4-HOLE CORNER PATTERN APPLIES TO 30 & 56VA SIZES ONLY
- 2) WHITE DOT ON TOP OF PART DENOTES PIN#1

VARIATIONS AVAILABLE. FOR INTERMEDIATE VALUES AND/ OR CUSTOM DESIGNS PLEASE CONSULT THE FACTORY.

Specifications subject to change without notice.

pvd 4/97