

TRANSFORMERS AND INDUCTORS FOR LED LIGHTING APPLICATIONS

- o Designed for use with Power Intergrations Inc. LED Driver LNKSwitch-PH and LYTSwitch Controller Families.
- o Designed to meet UL/IEC 60950 Safety Standards.
- o Multiple configurations.
- o Designed to meet Class B insulation.
- o Design Engineering Support Available.

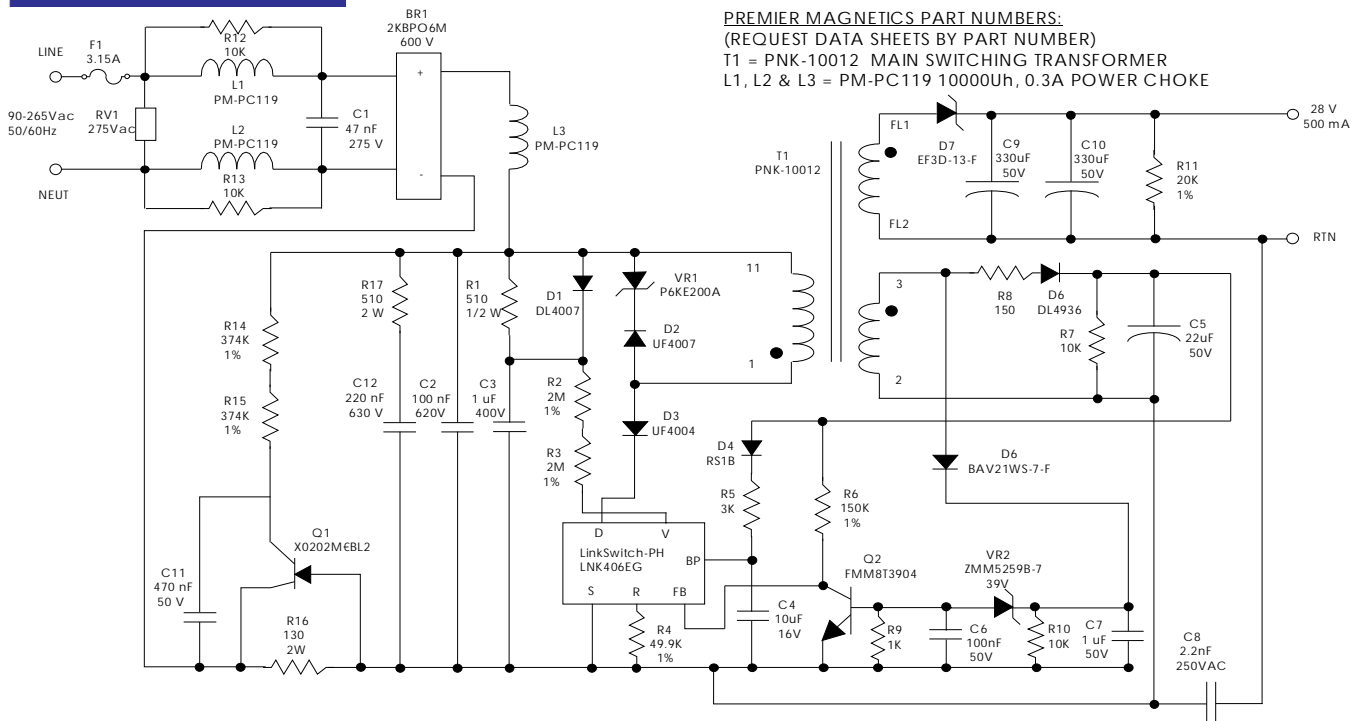
GENERAL APPLICATION INFORMATION

The Premier Magnetics, Inc.'s line of Transformers and Inductors listed in this brochure are designed specifically for use with Power Integrations, Inc. LNK series and LYT series lineup of LED Driver controllers.

The PNK series of Transformers and Inductors are designed for use with the Power Integrations' LNK series of LED Driver controllers which combined offers very high power factor (> 90%), high efficiency (> 90% achievable) and an accurate constant current output for LED. The PNK series transformers provide a bias winding that allows the output voltage to be monitored from the primary side without the need of secondary side feedback components. The Premier Magnetic PNK-xxxxx line of LED Driver transformers and inductors have been optimized to provide the best possible constant current output to drive LED lighting.

The POL-LYTxxx series of Transformers and Inductors are designed for use with the Power Integrations' LYT series of LED driver controllers. This combination of LYT controllers and Premier Magnetics POL-LYT series Transformers and Inductors offers high efficiency (typically > 90%) and a tight constant current output that results in a stable LED drive performance. Premier Magnetics' POL-LYT series of Transformers and Inductors have been optimized to provide solid LED drive performance using a cost effective design.

APPLICATION CIRCUIT



Note: Schematic illustration above is of a universal input, 14 Watt LED Driver using the Power Integrations, Inc.'s LNK/406EG Per PI-RDR-195, with Premier Magnetics, Inc.'s Transformer PNK-10012 Inductor PM-PC119.

Specifications subject to change without notice.

pol 03/04

TRANSFORMERS AND INDUCTORS FOR LED LIGHTING APPLICATIONS

GENERAL ELECTRICAL SPECIFICATIONS AT 25°C


CLICK ON THE RESPECTIVE PART NUMBER TO DISPLAY A DETAIL DATA SHEET

PART NUMBER	Recommended Power Integrations	APPLICATION DATA			Recommended	
		Input Volts	Output Volts @Currents(A)	Output Power	Input Filter CMC	Output Filter Inductor
POL-LYT020	LYT4317E, DER-350	90-132	36V @ 0.55A	20	PMCU-5056	
POL-LYT021	LYT4313E, DER-364	90-132	41V @ 0.35A	14		
TSD-3200	LYT4313E, DER-364	90-132	41V @ 0.35A	14		
POL-LYT022	LYT4313E, DER-347	90-132	34V @ 0.37A	12.6	PMCU-5056	
POL-LYT023	LYT4311E, DER-365	190-265	41V @ 0.35A	14.35		
TSD-3192	LYT4311E, DER-365	190-265	41V @ 0.35A	14.35		
POL-LYT024	LYT4314E, DER-366	190-265	36V @ 0.55A	20	PMCU-5056	
POL-LYT025	LYT4313E, DER-357	90-132	72V @ 0.17A	12		
POL-LYT026	LYT4314E, DER-353	90-132	18V @ 0.53A	9.5	PMCU-5220	
POL-LYT027	LYT4312E, DER-359	90-132	36V @ 0.23A	8.5		
POL-LYT028	LYT4311E, DER-360	90-132	15V @ 0.50A	7.5		
POL-LYT029	LYT4312E, DER-355	90-265	54V @ 0.11A	6		
POL-LYT030	LYT4322E, DER-412	190-265	120V @ 0.10A	12		
POL-LYT031	LYT4322E, DER-409	190-265	72V @ 0.115A	8.3		
POL-LYT032	LYT4322E, DER-406	190-265	48V @ 0.12A	5.76		
POL-LYT033	LYT4322E, DER-445	195-265	96V @ 0.21A	20		
POL-LYT034	LYT5226D, DER-515	90-308	69-82V @ 0.16A	11-13		

Specifications subject to change without notice.