

OFF-LINE SWITCH MODE TRANSFORMERS

- o Designed for use with Power Integrations, Inc. TOPSwitch-JX series of Off-Line Switcher Controller Family.
- o Designed to meet UL/IEC 60950 Safety Standards.
- o Multiple configurations.
- o Designed to meet Class B insulation.
- o Design Engineering Support Available.

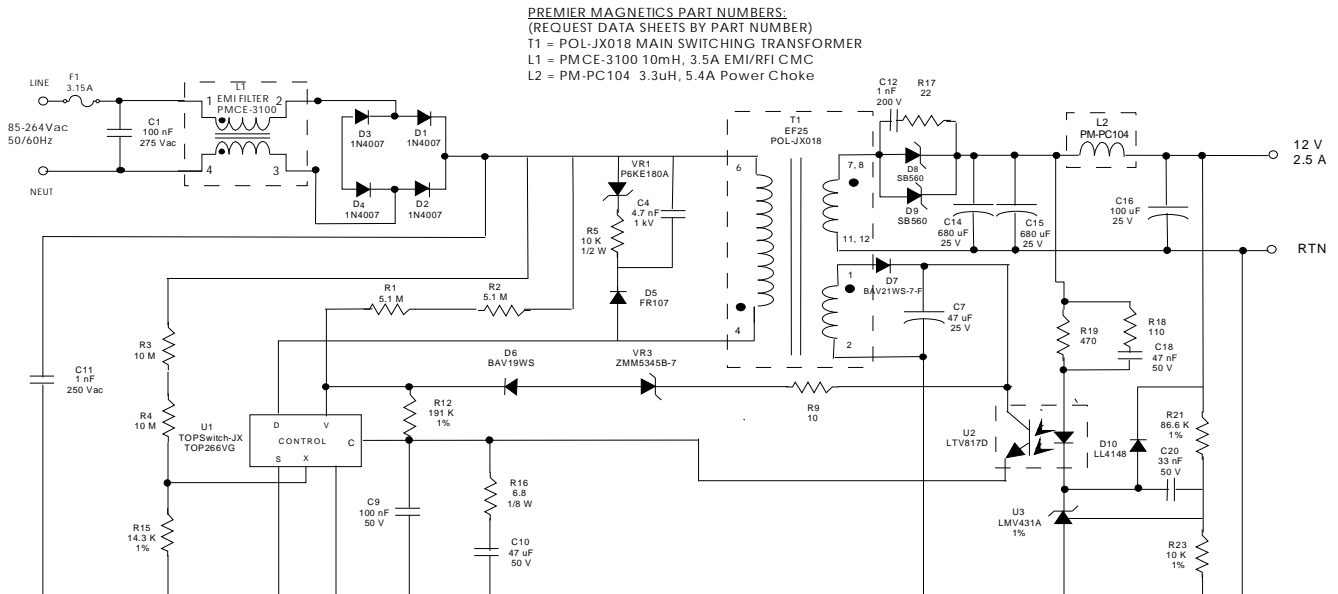
GENERAL APPLICATION INFORMATION

The Premier Magnetics, Inc's POL-JXxxx line of Transformers listed in this brochure are designed specifically for use with Power Integrations, Inc. TOPSwitch-JX series lineup of Off-Line Switcher controllers, and together in the design of thier standard off-line AC-DC flyback power supplies. This conversion technology can accept universal 85-265 Vac input and deliver an isolated output providing high efficiency under all load conditions with very good performance at the low end and at standby, which easily allows the design to meet the latest, most stringent energy efficiency standards such as ENERGY STAR for example.

The TOPSwitchc-JX series controllers operate at 132kHz which allow for smaller physical Transformers, and thus, smaller overall power supplies. Or the controllers can operate at the half frequency of 66kHz which allows for the highest overall efficiencies possible.

The POL-JXxxx series of Premier Magnetics, Inc. Transformers are optimally designed to provide high performance and reliability, high efficiency across the load at both operating frequencies, and maximum power throughput at low cost, which provide value to the design of the standard, cost effective power supply designs offered by Power Integrations, Inc.

APPLICATION CIRCUIT



Note: Application Circuit illustration above is of a high efficiency 12V, 30W universal input flyback power supply using the Power Integrations, Inc.'s TOPSwitch-JX Controller TOP266VG, and Premier Magnetics, Inc.'s isolation Transformer POL-JX018, Common Mode Choke PMCE-3100, and the Power Choke PM-PC104.

