



FLAT HELIX INDUCTOR

- * Designed for Flat Helix Winding Coil high current and low resistance.
- * Low Temperature Rise, Reduce Size, High Efficiency.
- * Winding to core isolation is 500 Vrms.

ELECTRICAL SPECIFICATIONS AT 25°C - OPERATING TEMPERATURE RANGE -25°C TO +100°C

PART NO.	INDUCTANCE (μH) \pm 20%		Isat (Adc)	DCR max @ 20°C	PACKAGE
	@ 100 kHz, 0.1 Vrms @ 0 Adc	@ Isat			
PM-FH001	6.0	3.8	22	1.3	A1
PM-FH002	7.5	5.5	18.5	1.8	A1
PM-FH003	12	9.8	14	2.9	A1
PM-FH004	18	15.3	11	5.0	A1
PM-FH011	8.0	5.5	20	1.8	A2
PM-FH012	12	9.0	15.5	2.7	A2
PM-FH013	17	13.5	12.7	4.0	A2
PM-FH014	27	22	10	6.9	A2
PM-FH021	6.0	3.4	36	0.8	A3
PM-FH022	10.5	7.7	24	1.5	A3
PM-FH023	17.2	13.7	18	2.8	A3
PM-FH024	35	30.9	12	5.9	A3
PM-FH031	8.3	5.9	31	1.1	A4
PM-FH032	12.7	10.5	23.5	1.9	A4
PM-FH033	25.7	23.7	15.5	4.0	A4
PM-FH034	48	47.5	11	8.3	A4

PART NO.	INDUCTANCE (μH) \pm 10% @ 500 kHz, 0.1 V	DCR (mOhm) max.	SRF typ. (Mhz)	ISAT			PACKAGE
				10% drop	20% drop	30% drop	
PM-FH041	1.5	1.62	60	80	>100	>100	B1
PM-FH042	2.2	1.62	50	65	75	80	B1
PM-FH043	3.3	1.62	40	48	54	57	B1
PM-FH044	4.7	1.62	30	33	36.9	39	B1
PM-FH045	6.8	1.62	25	22	26	27.8	B1
PM-FH046	10	1.62	20	13	16.2	17.6	B1
PM-FH047	15	1.62	15	7.5	9.8	11	B1
PM-FH048	22	1.62	10	4.5	6	6.8	B1
PM-FH049	33	1.62	7	2.0	2.6	3.3	B1



FLAT HELIX INDUCTOR

- * Designed for Flat Helix Winding Coil high current and low resistance.
- * Low Temperature Rise, Reduce Size, High Efficiency.
- * Winding to core isolation is 500 Vrms.

ELECTRICAL SPECIFICATIONS AT 25°C - OPERATING TEMPERATURE RANGE -25°C TO +100°C

PART NO.	INDUCTANCE (μH) \pm 10% @ 500 kHz, 0.1 V	DCR (mOhm) max.	SRF typ. (Mhz)	ISAT			PACKAGE
				10% drop	20% drop	30% drop	
PM-FH056	2.2	2.01	40	78	88	94	B2
PM-FH057	3.3	2.01	30	62	66.9	68.4	B2
PM-FH058	4.7	2.01	25	42	48	50.1	B2
PM-FH059	6.8	2.01	20	30	34.5	36.2	B2
PM-FH060	10	2.01	15	18	21.5	23.4	B2
PM-FH061	15	2.01	12	11.5	14	15.2	B2
PM-FH062	22	2.01	10	7	8.6	9.6	B2
PM-FH063	33	2.01	18	4	5.1	5.9	B2
PM-FH071	3.3	2.82	40	76	83	90	B3
PM-FH072	4.7	2.82	30	59	61.2	62.4	B3
PM-FH073	6.8	2.82	25	42	45	45.9	B3
PM-FH074	10	2.82	20	28	31.2	32.1	B3
PM-FH075	15	2.82	16	18	21.2	21.9	B3
PM-FH076	22	2.82	15	12	14	15	B3
PM-FH077	33	2.82	10	7	8.7	9.6	B3

PART NO.	INDUCTANCE (μH) \pm 20% @ 100 kHz, 0.1 Vrms		Isat (Adc)	DCR max @ 20°C	PACKAGE
	@ 0 Adc	@ Isat			
PM-FH085	6.0	4.8	34	1.2	C1
PM-FH086	10.5	8.6	24	2.2	C1
PM-FH087	22	19.4	16	4.8	C1
PM-FH088	37.5	34.5	12	9.0	C1
PM-FH095	7.2	3.8	38	0.7	A5
PM-FH096	9.4	5.9	30	1.1	A5
PM-FH097	19	15.2	19	2.7	A5
PM-FH098	38	34.2	13	5.5	A5
PM-FH105	9.1	6.3	35	1.1	A6
PM-FH106	14.2	11.2	27	1.7	A6
PM-FH107	34	29.5	16.5	4.2	A6
PM-FH108	60	56.6	12	8.1	A6



FLAT HELIX INDUCTOR

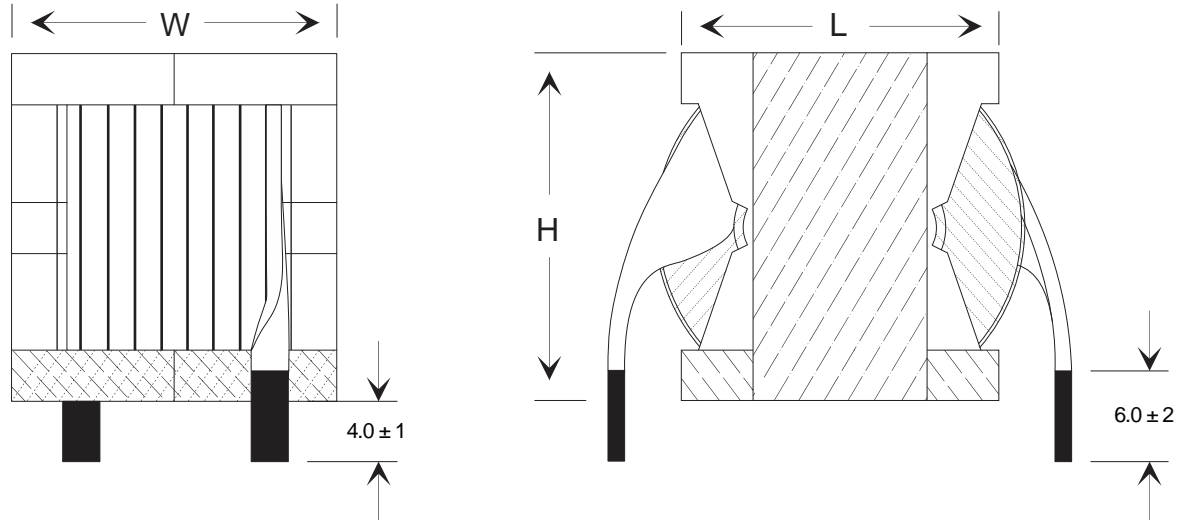
- * Designed for Flat Helix Winding Coil high current and low resistance.
- * Low Temperature Rise, Reduce Size, High Efficiency.
- * Winding to core isolation is 500 Vrms.

ELECTRICAL SPECIFICATIONS AT 25°C - OPERATING TEMPERATURE RANGE -25°C TO +100°C

PART NO.	INDUCTANCE (μH) \pm 20%		Isat (Adc)	DCR max @ 20°C	PACKAGE
	@ 0 Adc	@ Isat			
PM-FH115	12	9.0	30	1.4	A7
PM-FH116	21	17	24	2.2	A7
PM-FH117	42	40.5	15.5	5.4	A7
PM-FH118	84	80.8	11	10.8	A7
PM-FH125	9.0	6.4	47	1.0	A8
PM-FH126	16	13	33	1.6	A8
PM-FH127	22	19.2	28	2.5	A8
PM-FH128	56	52.6	17	5.9	A8
PM-FH129	88	82.1	13.5	9.2	A8
PM-FH135	12	8.0	38	1.3	C2
PM-FH136	19	15	27	3.9	C2
PM-FH137	45	40	18	8.4	C2
PM-FH138	72	65	13	18	C2
PM-FH145	9.0	5.5	52	0.9	C3
PM-FH146	15	11	39	1.5	C3
PM-FH147	32	30	25	3.3	C3
PM-FH148	48	42	20	5.4	C3
PM-FH155	16	13	40	1.5	C4
PM-FH156	22	19	33	2.3	C4
PM-FH157	55	52	20	5.9	C4
PM-FH158	80	77	16	9.0	C4
PM-FH165	6.5	4.0	75	0.6	C5
PM-FH166	55	50	30	6.2	C5
PM-FH167	38	34	26	3.5	C5
PM-FH168	200	200	10	12	C5
PM-FH169	260	255	6.5	18	C5
PM-FH175	9.0	6.0	70	0.65	C6
PM-FH176	11	8.0	57	1.1	C6
PM-FH177	16.5	13	47	1.3	C6
PM-FH178	27.5	24	35	2.2	C6
PM-FH179	41	36.5	28	3.5	C6
PM-FH180	100	94	18	8.6	C6
PM-FH181	160	155	14	14	C6

FLAT HELIX INDUCTOR

PACKAGE A

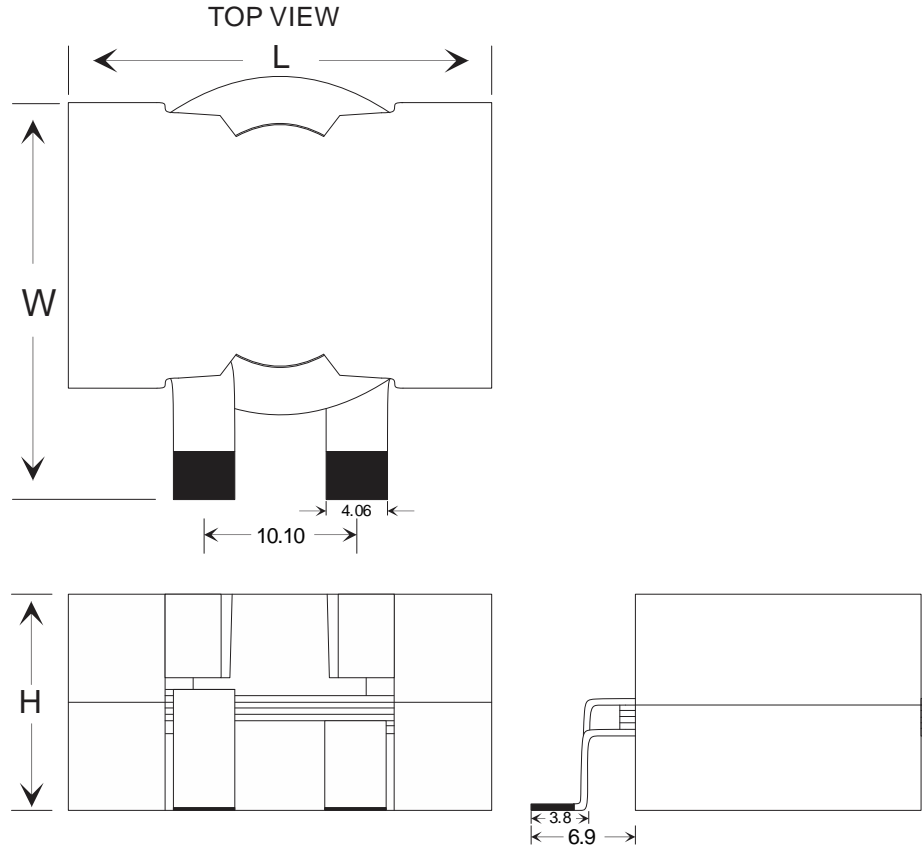


TYPE SIZE

	A1	A2	A3	A4	A5	A6	A7	A8
L (mm)	21.0	21.0	26.5	26.5	32.0	32.0	32.0	36
W (mm)	17.5	21.5	21.5	26.0	21.7	26.6	31.5	36.5
H (mm)	23.0	23.0	28.5	28.5	34.0	34.0	34.0	37

FLAT HELIX INDUCTOR

PACKAGE B

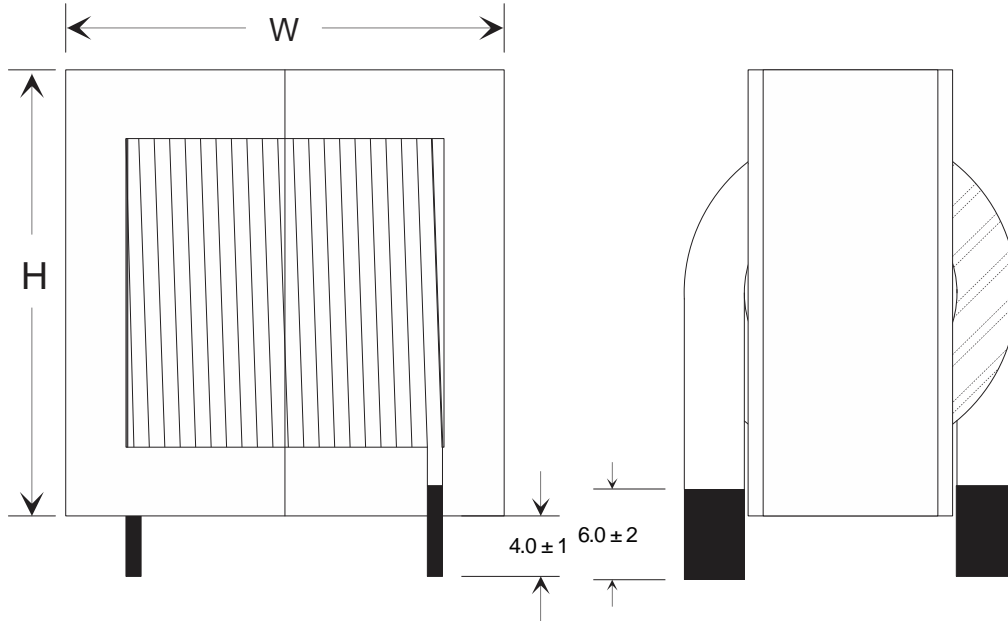


TYPE SIZE

	B1	B2	B3
L (mm)	28.0	28.0	28.0
W (mm)	28.0	28.0	28.0
H (mm)	14.3	14.3	16.7

FLAT HELIX INDUCTOR

PACKAGE C



TYPE SIZE

	C1	C2	C3	C4	C5	C6
L (mm)	22.0	23.5	32.0	32.0	32.0	32.0
W (mm)	29.0	40.0	27.0	35.0	43.0	50.0
H (mm)	29.5	40.0	43.0	43.0	43.0	49.0