

- * Meets all IEEE 802.3 and ANSI X3.263 standard including 350 uH OCL with 8 mADC Bias.
- * Compact footprint for use in the most spacerestrictive applications.
- * Storage temperature same Operating temperature.
- * Moisture Sensitivity Level 3.

TEMP RANGE -40°C TO +105°C

ELECTRICAL SPECIFICATIONS AT 25°C - OPERATING TEMPERATURE RANGE -40°C TO +105°C

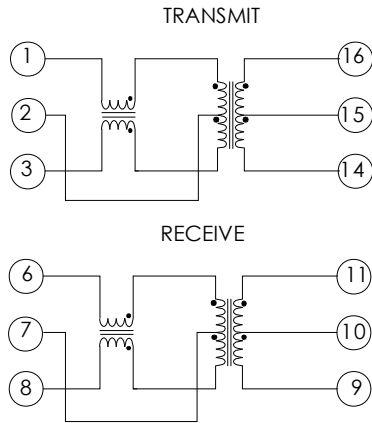
PART NUMBER	Turn Ratio		INSERTION LOSS (dB Max) 100KHz to 100MHz	Return Loss (dB TYP)			Diff. to Com Mode Rejection (dB TYP)			Crosstalk (dB TYP)			Schematic	HI-POT (Vrms)
	TX	RX		30 MHz	60 MHz	80 MHz	30 MHz	50 MHz	100 MHz	30 MHz	60 MHz	100 MHz		
PM-L6101A	1:1	1:1	1.1	-20	-14	-11.5	-42	-37	-33	-45	-40	-35	A	1500
PM-L6102A	1:1	1:1	1.1	-20	-14	-11.5	-42	-37	-33	-45	-40	-35	B	1500
PM-L6103A	2:1	1:1	1.1	-20	-14	-11.5	-42	-37	-33	-45	-40	-35	B	1500
PM-L6104A	1:1	2:1	1.1	-20	-14	-11.5	-42	-37	-33	-45	-40	-35	B	1500
PM-L6105A	1.41:1	1:1	1.1	-20	-14	-11.5	-42	-37	-33	-45	-40	-35	B	1500
PM-L6106A	1.25:1	1:1	1.1	-20	-14	-11.5	-42	-37	-33	-45	-40	-35	B	1500
PM-L6107A	1:1.41	1:1	1.1	-18	-12	-11.5	-42	-37	-30	-45	-40	-35	B	1500

TEMP RANGE -55°C TO +125°C

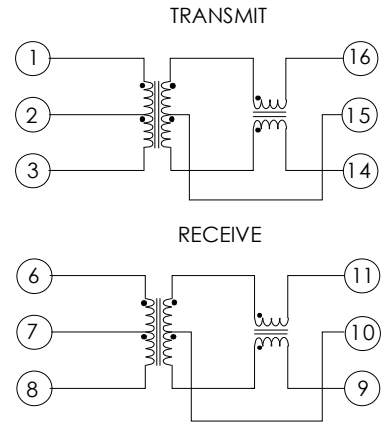
ELECTRICAL SPECIFICATIONS AT 25°C - OPERATING TEMPERATURE RANGE -55°C TO +125°C

PART NUMBER	Turn Ratio		INSERTION LOSS (dB Max) 300KHz to 100MHz	Return Loss (dB TYP)			Diff. to Com Mode Rejection (dB TYP)			Crosstalk (dB TYP)			Schematic	HI-POT (Vrms)
	TX	RX		30 MHz	60 MHz	80 MHz	30 MHz	50 MHz	100 MHz	30 MHz	60 MHz	100 MHz		
PM-L6101B	1:1	1:1	1.1	-20	-14	-11.5	-42	-37	-33	-45	-40	-35	A	1500
PM-L6102B	1:1	1:1	1.1	-20	-14	-11.5	-42	-37	-33	-45	-40	-35	B	1500
PM-L6103B	2:1	1:1	1.1	-20	-14	-11.5	-42	-37	-33	-45	-40	-35	B	1500
PM-L6104B	1:1	2:1	1.1	-20	-14	-11.5	-42	-37	-33	-45	-40	-35	B	1500
PM-L6105B	1.41:1	1:1	1.1	-20	-14	-11.5	-42	-37	-33	-45	-40	-35	B	1500
PM-L6106B	1.25:1	1:1	1.1	-20	-14	-11.5	-42	-37	-33	-45	-40	-35	B	1500
PM-L6107B	1:1.41	1:1	1.1	-18	-12	-11.5	-42	-37	-30	-45	-40	-35	B	1500
PM-L6108B	1:1	1:1	1.1	-20	-14	-11.5	-40	-37	-33	-45	-40	-35	A	1500
PM-L6109B	1:1	1:1	1.1	-18	-14	-12	-40	-37	-33	-45	-40	-35	A	1500

SCHEMATIC "A"



SCHEMATIC "B"

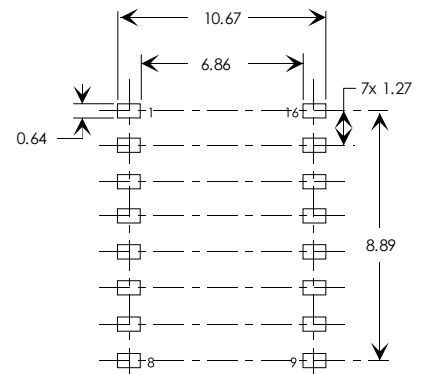
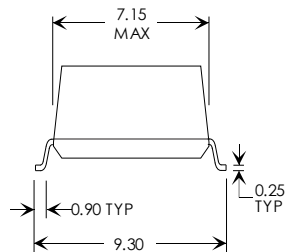
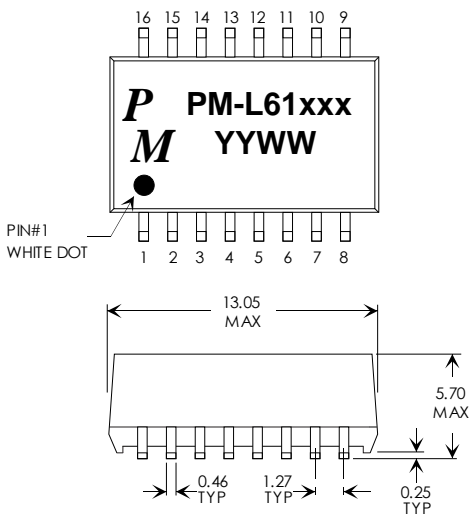


MECHANICAL PM-L61XXX

All Dimensions in inches (mm)

PCB LAYOUT

Unless otherwise specified, all





10/100 Base-TX SINGLE PORT MAGNETIC MODULES

RoHS

CROSS REFERENCE LISTING

<u>PREMIER PART#</u>	<u>X-REF NAME & PART#</u>	
PM-L6102	PULSE	H1102
PM-L6103	PULSE	H1100
PM-L6106	PULSE	H1101
PM-L6107	PULSE	H1121
PM-L6108B	Bel	S558-5999-T5-F
PM-L6109B	Unisen	PX-5117SG-03