

# T1/E1/CEPT/ISDN-PRI DUAL PORT ISOLATION TRANSFORMER MODULES

- ① SMT Dual Port with Optional Common Mode Choke.
- ② Molded Package withstand 235°C IR Reflow.
- ③ Extended Temperature Range -40°C to +85°C.
- ④ 1500Vrms Minimum Isolation Voltage.

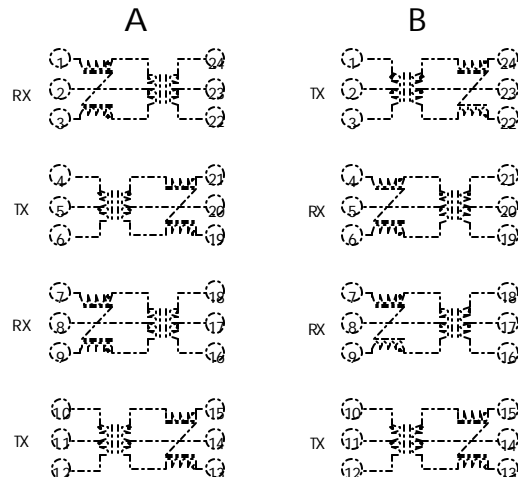
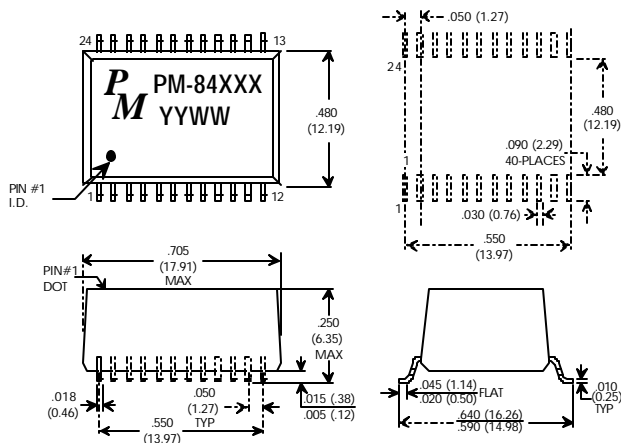
## ELECTRICAL SPECIFICATIONS AT 25°C - OPERATING TEMPERATURE RANGE -40°C TO +85°C

PART NUMBER	PART NUMBER NO CMC	TURNS RATIO (PRI:SEC ± 3%)		SEC OCL TX&RX (mH MIN.)	PRI - SEC TX&RX L (µH Max.)	PRI - SEC Cw/w (pfMax.)	DCR-PRI (Ω Max.)	PRIMARY PINS		Schematic
		TX	RX					TX	RX	
PM-8401	PM-8401N	1CT:2.4CT	1CT:1CT	1.2	0.5	35	0.8	1-3&10-12	21-19&18-16	B
PM-8402	PM-8402N	1CT:2.42CT	1CT:2.42CT	1.2	0.5	25	0.8	4-6&10-12	1-3&7-9	A
PM-8403	PM-8403N	1CT:2CT	1CT:1CT	1.2	0.5	35	0.8	4-6&10-12	24-22&18-16	A
PM-8404	PM-8404N	1CT:1.15CT	1CT:1.15CT	1.2	0.5	35	0.8	4-6&10-12	1-3&7-9	A
PM-8405	PM-8405N	1CT:1.41CT	1CT:1.41CT	1.2	0.5	30	0.8	1-3&10-12	21-19&18-16	B
PM-8406	PM-8406N	1CT:2CT	1CT:2CT	1.2	0.5	25	0.8	4-6&10-12	1-3&7-9	A
PM-8407	PM-8407N	1CT:2CT	1CT:2CT	1.2	0.5	25	0.8	1-3&10-12	21-19&18-16	B
PM-8408	PM-8408N	1CT:2.3CT	1CT:1CT	1.2	0.5	35	0.8	4-6&10-12	24-22&18-16	A
PM-8409	PM-8410N	1CT:1.36CT	1CT:2CT	1.2	0.5	35	0.8	4-6&10-12	24-22&18-16	A
PM-8410	PM-8409N	1CT:1.36CT	1CT:1CT	1.2	0.5	35	0.8	4-6&10-12	24-22&18-16	A
PM-8411	PM-8411N	1CT:1.15CT	1CT:2CT	1.2	0.5	35	0.8	4-6&10-12	1-3&7-9	A

### PM-84XXX MECHANICAL

### SCHEMATICS

All Dimensions in inches (mm)



Specifications subject to change without notice.

pm-84xxx 07/02

