

10/100 Base-TX QUAD PORT ISOLATION TRANSFORMERS WITH FILTERS

- ① Designed for 10/100MB/s Transmission Over UTP-5 Cable, IEEE 802.3u & ANSI X3.236-1995
- ② Maintains > 350uHY Primary OCL with an 8mA bias over the full temp range of 0 to +70°C.
- ③ Supports all leading Fast Ethernet Chip Sets that require a 1:1 Transmit & Receive Turns Ratio.
- ④ Provides the Cable Interface, Isolation & Common Mode Filtering required by the PMD Sublayer.
- ⑤ Low Profile Surface Mount Transfer Molded Package meets UL94-V0.
- ⑥ All Units meet 1500Vrms Input to output isolation

NORMAL TEMP RANGE

ELECTRICAL SPECIFICATIONS AT 25°C - OPERATING TEMPERATURE RANGE 0°C TO +70°C

PART NUMBER	INSERTION LOSS (dB Typ) 0.1 to 100MHz	Cross Talk (dB Typ)				Return Loss (dB Typ)				Diff to Com Mode Rejection (dB Typ)		Com to Com Mode Rejection (dB Typ) 0.1 to 60 MHz	
		1 MHz	30 MHz	60 MHz	100 MHz	2-30 MHz	40 MHz	50 MHz	60-80 MHz	1-60 MHz	60-200 MHz	Transmit	Receive
PM-8036	-0.5	-65	-55	-45	-35	-22	-18	-15	-12	-40	-30	-30	-30
PM-8044	-0.5	-65	-55	-45	-35	-22	-18	-15	-12	-40	-30	-30	-30
PM-8053	-0.5	-65	-50	-40	-30	-22	-18	-15	-12	-40	-30	-30	-30
PM-8060	-0.5	-65	-50	-40	-30	-22	-18	-15	-12	-40	-30	-30	-30
PM-8062	-0.5	-65	-55	-45	-35	-22	-18	-15	-12	-40	-30	-30	-30
PM-8071	-0.5	-65	-50	-40	-30	-22	-18	-15	-12	-40	-30	-30	-30
PM-8072	-1.0 *	-55	-45	-40	-25	-18	-14.4	-13.1	-12	-37	-25	-----	-----

* Maximum

EXTENDED TEMP RANGE

ELECTRICAL SPECIFICATIONS AT 25°C - OPERATING TEMPERATURE RANGE -40°C TO +85°C

PART NUMBER	INSERTION LOSS (dB Typ) 0.1 to 100MHz	Cross Talk (dB Typ)				Return Loss (dB Typ)				Diff to Com Mode Rejection (dB Typ)		Com to Com Mode Rejection (dB Typ) 0.1 to 60 MHz	
		1 MHz	30 MHz	60 MHz	100 MHz	2-30 MHz	40 MHz	50 MHz	60-80 MHz	1-60 MHz	60-200 MHz	Transmit	Receive
PM-8080	-0.5	-65	-55	-45	-35	-22	-18	-15	-12	-40	-30	-30	-30
PM-8081	-0.5	-65	-55	-45	-35	-22	-18	-15	-12	-40	-30	-30	-30
PM-8082	-0.5	-65	-50	-40	-30	-22	-18	-15	-12	-40	-30	-30	-30
PM-8083	-0.5	-65	-50	-40	-30	-22	-18	-15	-12	-40	-30	-30	-30
PM-8084	-0.5	-65	-55	-45	-35	-22	-18	-15	-12	-40	-30	-30	-30
PM-8085	-0.5	-65	-50	-40	-30	-22	-18	-15	-12	-40	-30	-30	-30
PM-8086	-1.0 *	-55	-45	-40	-25	-18	-14.4	-13.1	-12	-37	-25	-----	-----

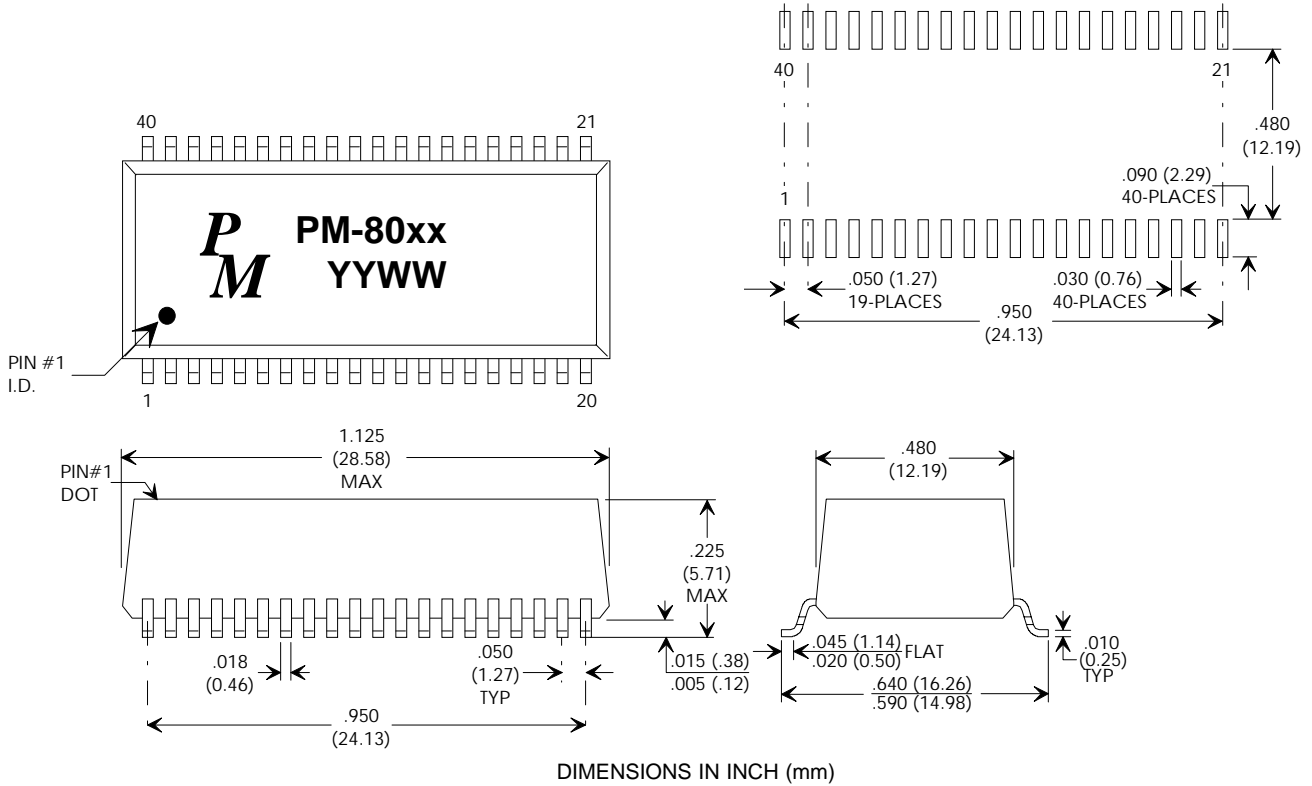
* Maximum



10/100 Base-TX QUAD PORT ISOLATION TRANSFORMERS WITH FILTERS

PM-80xx MECHANICAL

PM-80xx PCB LAYOUT

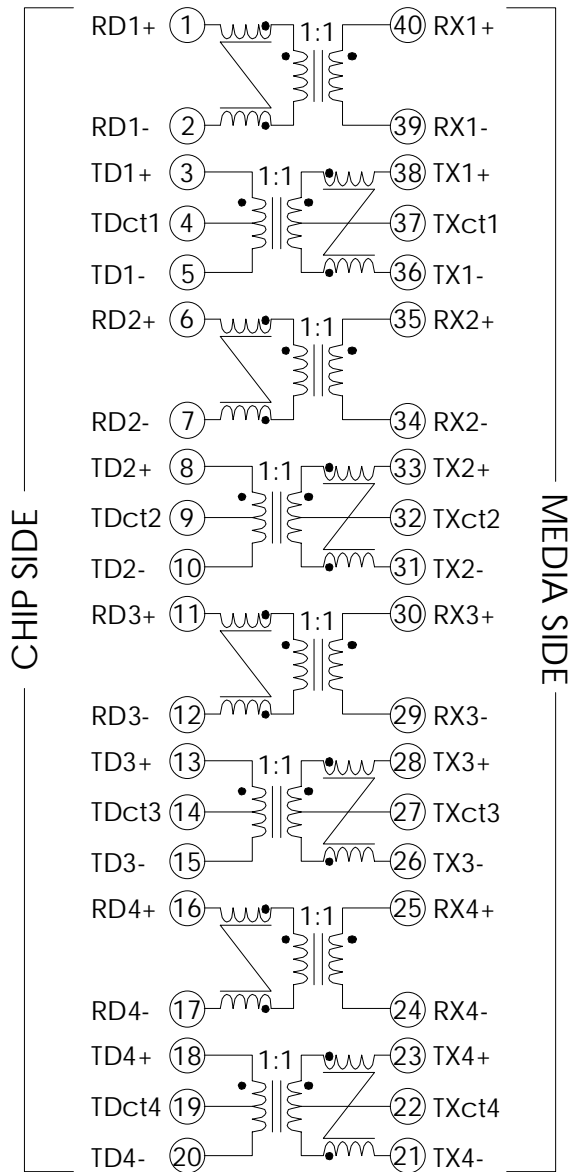
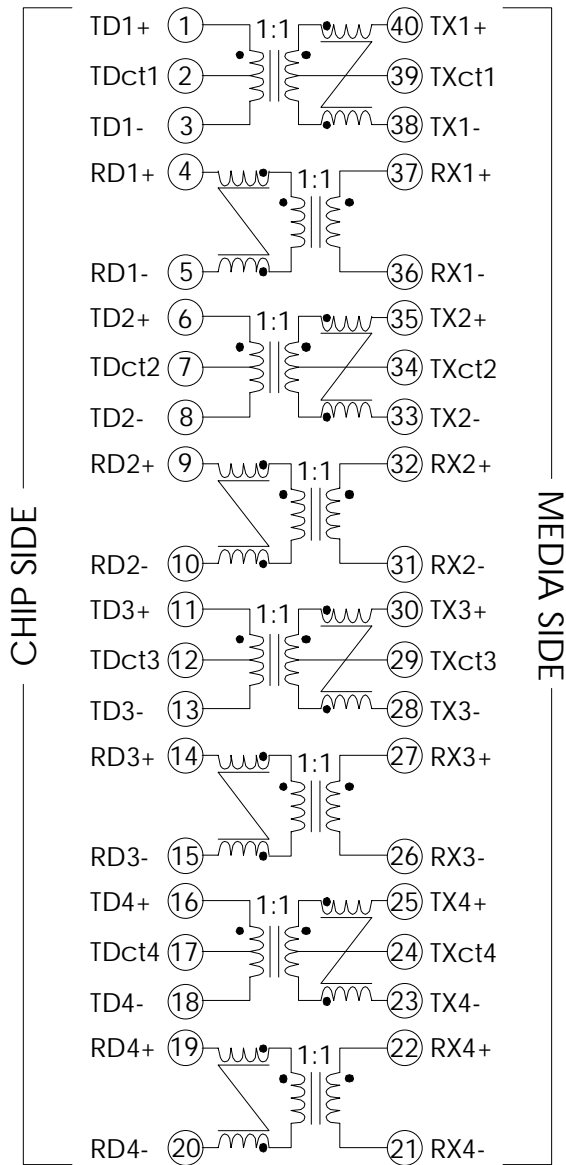




10/100 Base-TX QUAD PORT ISOLATION TRANSFORMERS WITH FILTERS

PM-8036 & PM-8080

PM-8044 & PM-8081

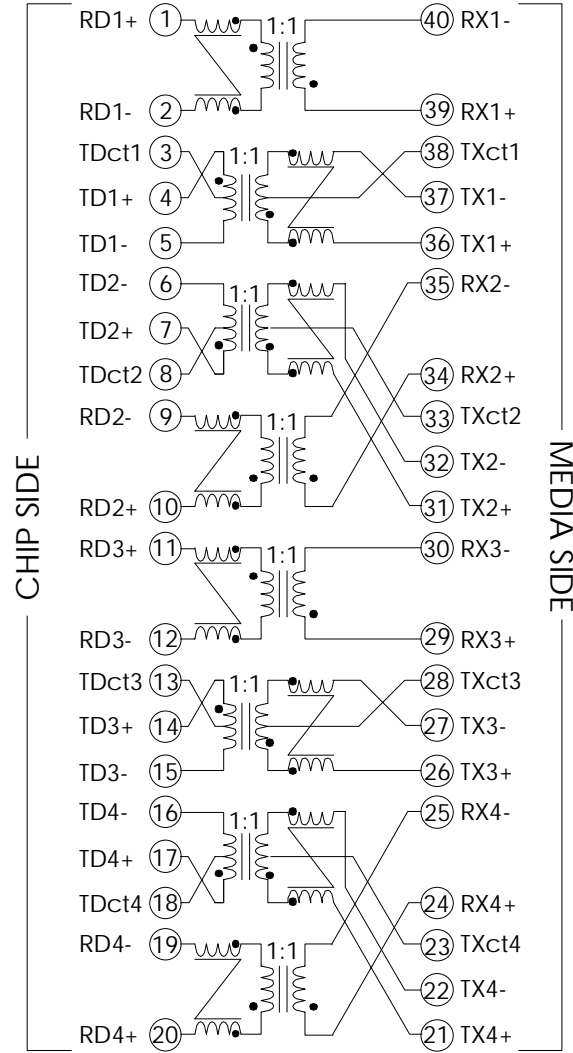
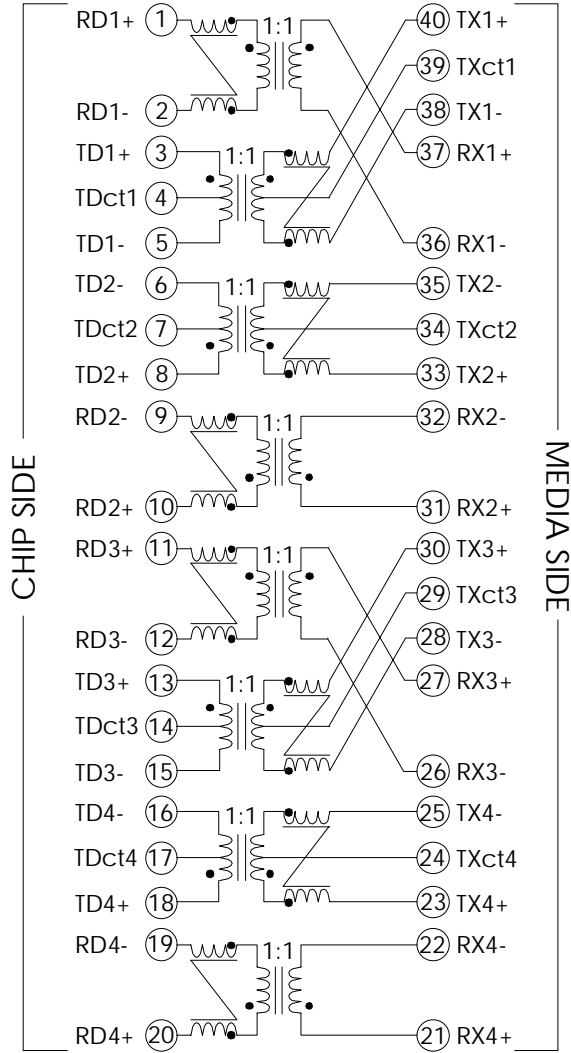




10/100 Base-TX QUAD PORT ISOLATION TRANSFORMERS WITH FILTERS

PM-8053 & PM-8082

PM-8060 & PM-8083





10/100 Base-TX QUAD PORT ISOLATION TRANSFORMERS WITH FILTERS

PM-8062 & PM-8084

PM-8071 & PM-8085

