

- \* Meets all IEEE 802.3 and ANSI X3.263 standard including 350 uH OCL with 8 mADC Bias
- \* Compact footprint for use in the most spacerestrictive applications

**NORMAL TEMP RANGE**

**ELECTRICAL SPECIFICATIONS AT 25°C - OPERATING TEMPERATURE RANGE 0°C TO +70°C**

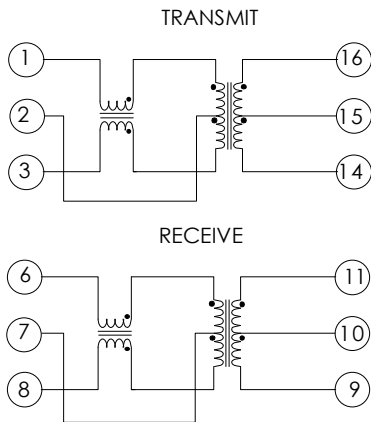
PART NUMBER	Turn Ratio		INSERTION LOSS (dB Max) 100KHz to 100MHz	Return Loss (dB TYP)			Diff. to Com Mode Rejection (dB TYP)			Crosstalk (dB TYP)			Schematic	HI-POT (Vrms)
	TX	RX		30 MHz	60 MHz	80 MHz	30 MHz	50 MHz	100 MHz	30 MHz	60 MHz	100 MHz		
PM-6101	1:1	1:1	1.1	-20	-14	-11.5	-42	-37	-33	-45	-40	-35	A	1500
PM-6102	1:1	1:1	1.1	-20	-14	-11.5	-42	-37	-33	-45	-40	-35	B	1500
PM-6103	2:1	1:1	1.1	-20	-14	-11.5	-42	-37	-33	-45	-40	-35	B	1500
PM-6104	1:1	2:1	1.1	-20	-14	-11.5	-42	-37	-33	-45	-40	-35	B	1500
PM-6105	1.41:1	1:1	1.1	-20	-14	-11.5	-42	-37	-33	-45	-40	-35	B	1500
PM-6106	1.25:1	1:1	1.1	-20	-14	-11.5	-42	-37	-33	-45	-40	-35	B	1500
PM-6107	1:1.41	1:1	1.1	-18	-12	-11.5	-42	-37	-30	-45	-40	-35	B	1500

**EXTENDED TEMP RANGE**

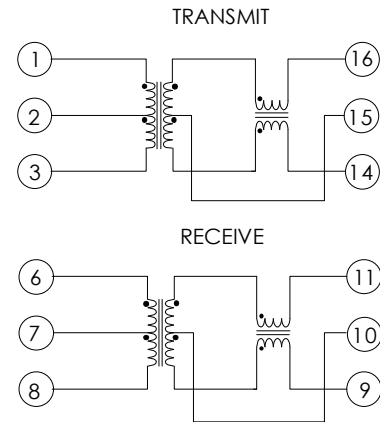
**ELECTRICAL SPECIFICATIONS AT 25°C - OPERATING TEMPERATURE RANGE -40°C TO +85°C**

PART NUMBER	Turn Ratio		INSERTION LOSS (dB Max) 300KHz to 100MHz	Return Loss (dB TYP)			Diff. to Com Mode Rejection (dB TYP)			Crosstalk (dB TYP)			Schematic	HI-POT (Vrms)
	TX	RX		30 MHz	60 MHz	80 MHz	30 MHz	50 MHz	100 MHz	30 MHz	60 MHz	100 MHz		
PM-6101E	1:1	1:1	1.1	-20	-14	-11.5	-42	-37	-33	-45	-40	-35	A	1500
PM-6102E	1:1	1:1	1.1	-20	-14	-11.5	-42	-37	-33	-45	-40	-35	B	1500
PM-6103E	2:1	1:1	1.1	-20	-14	-11.5	-42	-37	-33	-45	-40	-35	B	1500
PM-6104E	1:1	2:1	1.1	-20	-14	-11.5	-42	-37	-33	-45	-40	-35	B	1500
PM-6105E	1.41:1	1:1	1.1	-20	-14	-11.5	-42	-37	-33	-45	-40	-35	B	1500
PM-6106E	1.25:1	1:1	1.1	-20	-14	-11.5	-42	-37	-33	-45	-40	-35	B	1500
PM-6107E	1:1.41	1:1	1.1	-18	-12	-11.5	-42	-37	-30	-45	-40	-35	B	1500
PM-6108E	1:1	1:1	1.1	-20	-14	-11.5	-40	-37	-33	-45	-40	-35	A	1500
PM-6109E	1:1	1:1	1.1	-18	-14	-12	-40	-37	-33	-45	-40	-35	A	1500

### SCHEMATIC "A"



### SCHEMATIC "B"

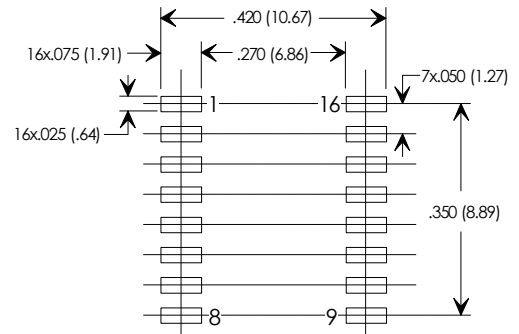
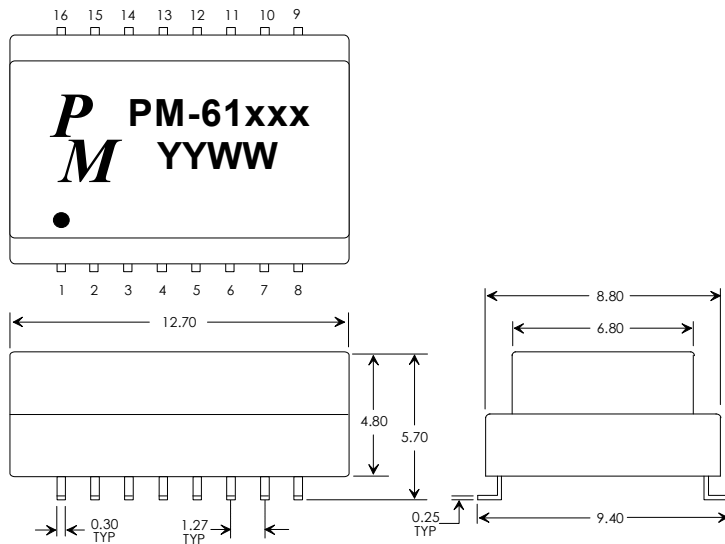


### MECHANICAL pm-61xx

All Dimensions in inches (mm)

### PCB LAYOUT

Unless otherwise specified, all tolerances are  $\pm 0.010$  (0.25)



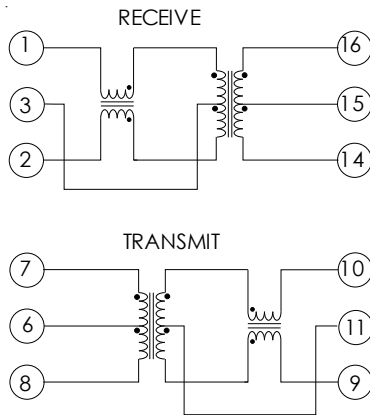
- \* Meets all IEEE 802.3 and ANSI X3.263 standard including 350 uH OCL with 8 mADC Bias
- \* Compact footprint for use in the most spacerestrictive applications

### ELECTRICAL SPECIFICATIONS AT 25°C - OPERATING TEMPERATURE RANGE -25°C TO +85°C

PART NUMBER	Turn Ratio		INSERTION LOSS (dB Max) 100MHz	Return Loss (dB TYP)			Diff. to Com Mode Rejection (dB Min)		Crosstalk (dB Min)		Schematic	HI-POT (Vrms) 60Sec
	TX	RX		1-30 MHz	30- 60 MHz	60- 80 MHz	1-60 MHz	60-100 MHz	1-60 MHz	100 MHz		
	PM-6120	1:1		1:1	-1.1	-18	-16	-12	-37	-35		

### SCHEMATIC "C"

### SCHEMATIC

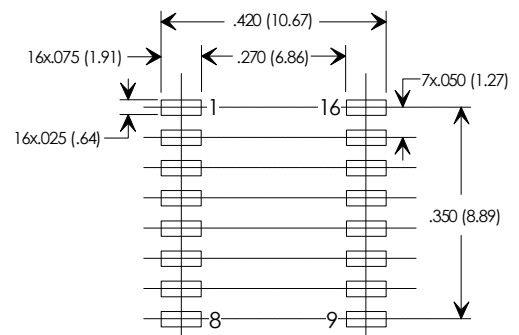
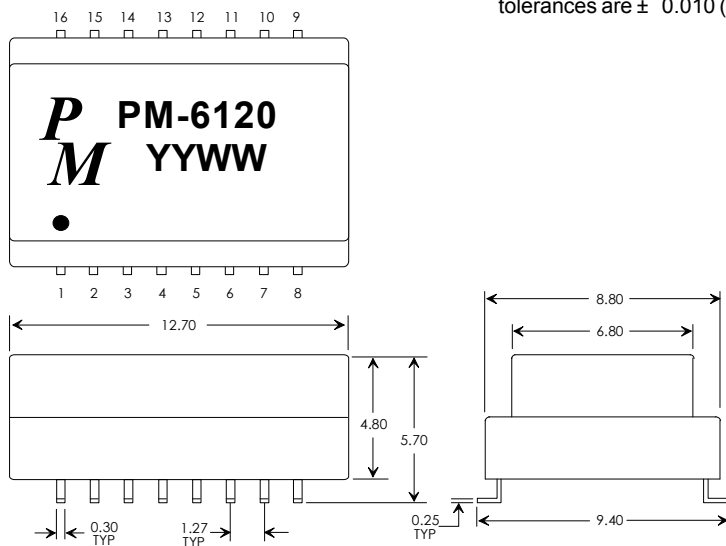


### MECHANICAL pm-612x

### All Dimensions in inches (mm)

### PCB LAYOUT

Unless otherwise specified, all tolerances are ± 0.010 (0.25)



Specifications subject to change without notice.

pm-61xx04/15

- \* Meets all IEEE 802.3 and ANSI X3.263 standard including 350 uH OCL with 8 mADC Bias
- \* Compact footprint for use in the most space restrictive applications

### ELECTRICAL SPECIFICATIONS AT 25°C - OPERATING TEMPERATURE RANGE -25°C TO +85°C

PART NUMBER	Turn Ratio		Insertion Loss (dB Max)		Return Loss (dB TYP)			Diff. to Com Mode Rejection (dB Min)		Crosstalk (dB Min)		Schematic	HI-POT (Vrms) 60Sec
	TX	RX	0.1 MHz	1-125 MHz	0.1-30 MHz	30-60 MHz	60-80 MHz	1 MHz	30-200 MHz	1 MHz	10-100 MHz		
PM-6130	1:1	1:1	-1.2	*Note 1	-16	*Note 2	-10	-42	*Note 3	-50	*Note 4	D	1500

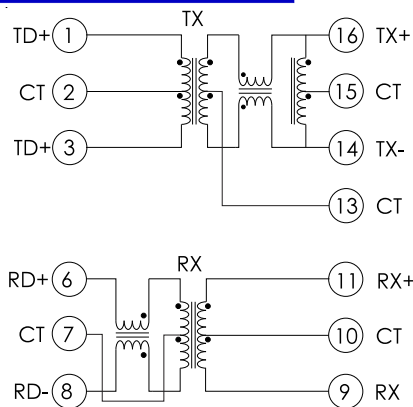
\*Note 1:  $-0.2-0.002 \cdot f^{1.4}$  dB

\*Note 2:  $-10+20\text{LOG}(f/60)$  dB

\*Note 3:  $-15+20\text{LOG}(f/200)$  dB

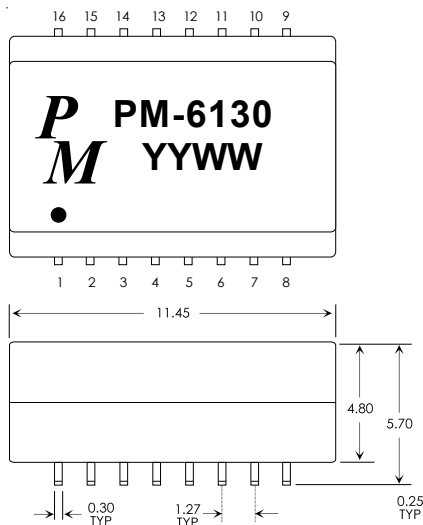
\*Note 4:  $-55+22\text{LOG}(f/10)$  dB

### SCHEMATIC "D"



### SCHEMATIC

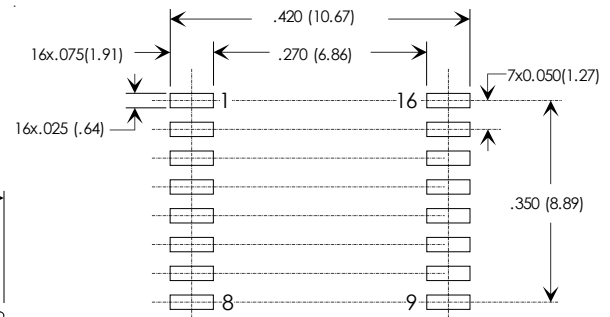
### MECHANICAL pm-613x



### All Dimensions in inches (mm)

Unless otherwise specified, all tolerances are  $\pm 0.010$  (0.25)

### PCB LAYOUT



Specifications subject to change without notice.

pm-61xx04/15