

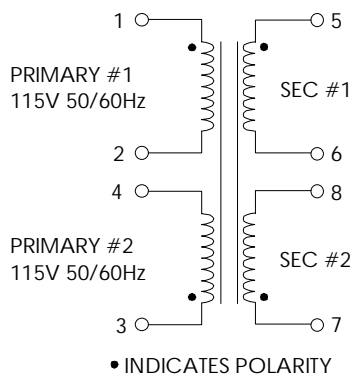
LOW PROFILE DUAL BOBBIN HIGH ISOLATION POWER TRANSFORMERS

- ① Low Height, Ideal for P.C.B. Applications
- ② Dual Secondaries May Be Series -OR- Parallel Connected
- ③ Construction Minimizes Radiated Magnetic Fields
- ④ 115/230V, 50/60Hz Dual Primaries
- ⑤ Split Bobbin Construction
- ⑥ 1500Vrms Isolation (Hi-Pot)

ELECTRICAL SPECIFICATIONS AT 25°C - OPERATING TEMPERATURE RANGE -25°C TO +80°C

115/230V PART NUMBER	SIZE (VA)	SECONDARY RMS RATINGS	
		SERIES	PARALLEL
PLP-102	2.5	10V C.T. @ 250mA	5V @ 500mA
PLP-106	6.0	10V C.T. @ 600mA	5V @ 1.2A
PLP-1012	12.0	10V C.T. @ 1200mA	5V @ 2.4A
PLP-122	2.5	12.6V C.T. @ 200mA	6.3V @ 400mA
PLP-126	6.0	12.6V C.T. @ 450mA	6.3V @ 900mA
PLP-1212	12.0	12.6V C.T. @ 900mA	6.3V @ 1.8A
PLP-162	2.5	16V C.T. @ 150mA	8V @ 300mA
PLP-166	6.0	16V C.T. @ 350mA	8V @ 700mA
PLP-1612	12.0	16V C.T. @ 700mA	8V @ 1.4A
PLP-202	2.5	20V C.T. @ 125mA	10V @ 250mA
PLP-206	6.0	20V C.T. @ 300mA	10V @ 600mA
PLP-2012	12.0	20V C.T. @ 600mA	10V @ 1.2A
PLP-242	2.5	24V C.T. @ 100mA	12V @ 200mA
PLP-246	6.0	24V C.T. @ 250mA	12V @ 500mA
PLP-2412	12.0	24V C.T. @ 500mA	12V @ 1.0A
PLP-302	2.5	30V C.T. @ 85mA	15V @ 170mA
PLP-306	6.0	30V C.T. @ 200mA	15V @ 400mA
PLP-3012	12.0	30V C.T. @ 400mA	15V @ 800mA
PLP-342	2.5	34V C.T. @ 75mA	17V @ 150mA
PLP-346	6.0	34V C.T. @ 170mA	17V @ 340mA
PLP-3412	12.0	34V C.T. @ 340mA	17V @ 680mA
PLP-402	2.5	40V C.T. @ 60mA	20V @ 120mA
PLP-406	6.0	40V C.T. @ 150mA	20V @ 300mA
PLP-4012	12.0	40V C.T. @ 300mA	20V @ 600mA
PLP-562	2.5	56V C.T. @ 45mA	28V @ 90mA
PLP-566	6.0	56V C.T. @ 100mA	28V @ 200mA
PLP-5612	12.0	56V C.T. @ 200mA	28V @ 400mA
PLP-882	2.5	88V C.T. @ 28mA	44V @ 56mA
PLP-886	6.0	88V C.T. @ 65mA	44V @ 130mA
PLP-8812	12.0	88V C.T. @ 130mA	44V @ 260mA

115/230V PART NUMBER	SIZE (VA)	SECONDARY RMS RATINGS	
		SERIES	PARALLEL
PLP-1024	24.0	10V C.T. @ 2.40A	5V @ 4.80A
PLP-1048	48.0	10V C.T. @ 4.80A	5V @ 9.60A
PLP-1224	24.0	12.6V C.T. @ 1.90A	6.3V @ 3.80A
PLP-1248	48.0	12.6V C.T. @ 3.80A	6.3V @ 7.60A
PLP-1624	24.0	16V C.T. @ 1.50A	8V @ 3.00A
PLP-1648	48.0	16V C.T. @ 3.00A	8V @ 6.00A
PLP-2024	24.0	20V C.T. @ 1.20A	10V @ 2.40A
PLP-2048	48.0	20V C.T. @ 2.40A	10V @ 4.80A
PLP-2424	24.0	24V C.T. @ 1.00A	12V @ 2.00A
PLP-2448	48.0	24V C.T. @ 2.00A	12V @ 4.00A
PLP-3024	24.0	30V C.T. @ 0.80A	15V @ 1.60A
PLP-3048	48.0	30V C.T. @ 1.60A	15V @ 3.20A
PLP-3424	24.0	34V C.T. @ 0.70A	17V @ 1.40A
PLP-3448	48.0	34V C.T. @ 1.40A	17V @ 2.80A
PLP-4024	24.0	40V C.T. @ 0.60A	20V @ 1.20A
PLP-4048	48.0	40V C.T. @ 1.20A	20V @ 2.40A
PLP-5624	24.0	56V C.T. @ 0.425A	28V @ 0.850A
PLP-5648	48.0	56V C.T. @ 0.850A	28V @ 1.70A
PLP-8824	24.0	88V C.T. @ 0.270A	44V @ 0.540A
PLP-8848	48.0	88V C.T. @ 0.545A	44V @ 1.09A

SCHEMATIC

PLP-SERIES 5-SIZES:

2.5VA	-	0.650" HIGH
6.0VA	-	0.850" HIGH
12.0VA	-	1.065" HIGH
24.0VA	-	1.250" HIGH
48.0VA	-	1.375" HIGH

SECONDARIES:

Connected series or parallel

PRIMARIES:

Series for 230V - 50/60Hz
Parallel for 115V - 50/60Hz

APPLICATION
SPLIT BOBBIN:

Provides high isolation and low capacitive coupling which minimizes line noise.

REGULATION:

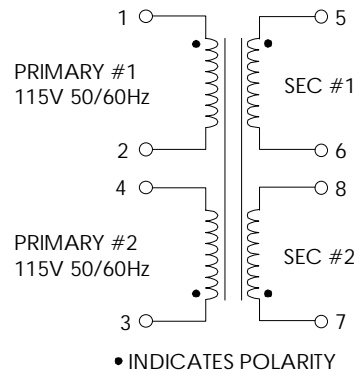
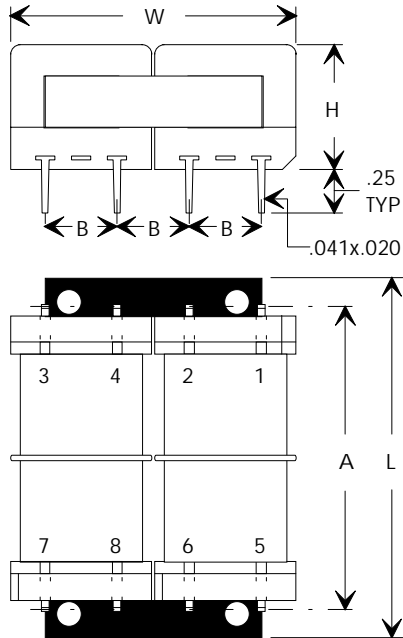
2.5VA	-	30%
6.0VA	-	30%
12.0VA	-	20%
24.0VA	-	15%
48.0VA	-	15%

Note: Primary and Secondary windings are designed to be used as one primary & one secondary winding. That is, they must each be used simultaneously either parallel or series connected.

LOW PROFILE DUAL BOBBIN HIGH ISOLATION POWER TRANSFORMERS

PLP-XXX MECHANICAL

2.5 TO 12VA SIZES



SIZE (VA)	DIMENSIONS IN INCHES				
	A	B	L	W	H
2.5	1.600	0.375	1.87	1.56	0.650
6.0	1.600	0.375	1.87	1.56	0.850
12.0	2.000	0.500	2.50	2.00	1.065

VARIATIONS AVAILABLE. FOR INTERMEDIATE VALUES AND/ OR CUSTOM DESIGNS PLEASE CONSULT THE FACTORY.

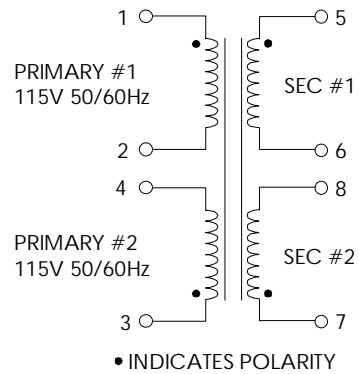
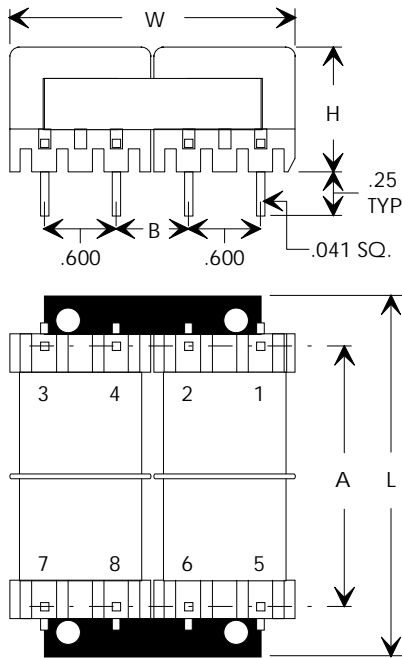
Specifications subject to change without notice.

plp 4/97

LOW PROFILE DUAL BOBBIN HIGH ISOLATION POWER TRANSFORMERS

PLP-XXX MECHANICAL

24 & 48VA SIZES



SIZE (VA)	DIMENSIONS IN INCHES				
	A	B	L	W	H
24.0	1.900	0.530	2.87	2.25	1.250
48.0	2.180	0.660	3.12	2.50	1.375

VARIATIONS AVAILABLE. FOR INTERMEDIATE VALUES AND/ OR CUSTOM DESIGNS PLEASE CONSULT THE FACTORY.

Specifications subject to change without notice.

plp 4/97