



# 3KVDC ISOLATION 2.0 WATT MINI-SIP DC/DC CONVERTERS

## FEATURES

- \* 2:1 Wide Input Voltages Range
- \* Regulated Output Types
- \* Continuous Short Circuit Protection With Current Foldback

## GENERAL SPECIFICATIONS

- \* Efficiency ..... Per Table.
- \* Operating Frequency ..... 100KHz Typ.
- \* Operating Temperature ..... -40 to +85°C.

## INPUT SPECIFICATIONS

- \* Voltage Ranges .....2:1
- \* Input Filter .....Capacitor

## OUTPUT SPECIFICATIONS

- \* Voltage .....  $\pm 3\%$
- \* Ripple & Noise 5-9V..... 100mV p-p max.
- \* Ripple & Noise 12-24V..... 1%max.
- \* Load Regulation ..... +/- .8% max.
- \* Line Regulation ..... +/- .5% typ.

### ELECTRICAL SPECIFICATIONS AT 25°C - OPERATING TEMPERATURE RANGE -40°C TO +85°C

PART NUMBER (SINGLE OUTPUT)	INPUT VOLTAGE (Vdc)	OUTPUT VOLTAGE (Vdc)	OUTPUT CURRENT (mA max.)	%EFF
PDCS02050	5-9	5	400	65
PDCS02051	5-9	9	222	70
PDCS02052	5-9	12	167	70
PDCS02053	5-9	15	133	70
PDCS02054	5-9	24	84	70
PDCS02060	9-18	5	400	70
PDCS02061	9-18	9	222	80
PDCS02062	9-18	12	167	80
PDCS02063	9-18	15	133	80
PDCS02064	9-18	24	84	80
PDCS02070	18-36	5	400	75
PDCS02071	18-36	9	222	80
PDCS02072	18-36	12	167	80
PDCS02073	18-36	15	133	80
PDCS02074	18-36	24	84	80
PDCS02080	36-72	5	400	70
PDCS02081	36-72	9	222	80
PDCS02082	36-72	12	167	80
PDCS02083	36-72	15	133	80
PDCS02084	36-72	24	84	80

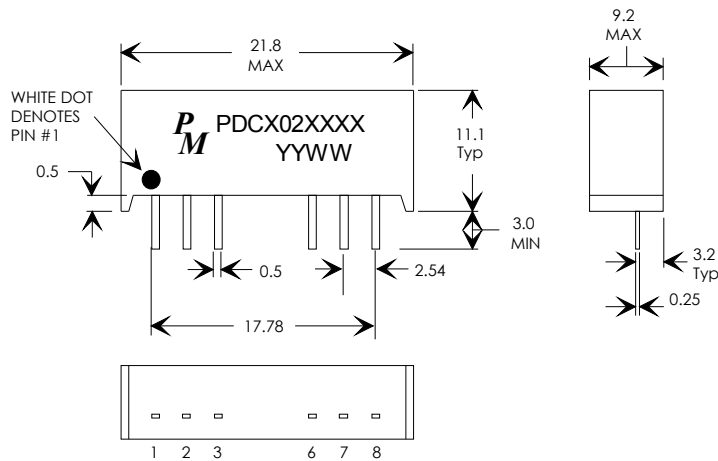
PART NUMBER (SINGLE OUTPUT)	INPUT VOLTAGE (Vdc)	OUTPUT VOLTAGE (Vdc)	OUTPUT CURRENT (mA max.)	%EFF
PDCD02050	5-9	$\pm 5$	$\pm 200$	65
PDCD02051	5-9	$\pm 9$	$\pm 111$	70
PDCD02052	5-9	$\pm 12$	$\pm 84$	70
PDCD02053	5-9	$\pm 15$	$\pm 67$	70
PDCD02054	5-9	$\pm 24$	$\pm 42$	80
PDCD02060	9-18	$\pm 5$	$\pm 200$	70
PDCD02061	9-18	$\pm 9$	$\pm 111$	80
PDCD02062	9-18	$\pm 12$	$\pm 84$	80
PDCD02063	9-18	$\pm 15$	$\pm 67$	80
PDCD02064	9-18	$\pm 24$	$\pm 42$	80
PDCD02070	18-36	$\pm 5$	$\pm 200$	75
PDCD02071	18-36	$\pm 9$	$\pm 111$	80
PDCD02072	18-36	$\pm 12$	$\pm 84$	80
PDCD02073	18-36	$\pm 15$	$\pm 67$	80
PDCD02074	18-36	$\pm 24$	$\pm 42$	80
PDCD02080	36-72	$\pm 5$	$\pm 200$	70
PDCD02081	36-72	$\pm 9$	$\pm 111$	80
PDCD02082	36-72	$\pm 12$	$\pm 84$	80
PDCD02083	36-72	$\pm 15$	$\pm 67$	80
PDCD02084	36-72	$\pm 24$	$\pm 42$	80

# 3KVDC ISOLATION 2.0 WATT MINI-SIP DC/DC CONVERTERS

## PACKAGE

## PIN ASSIGNMENTS

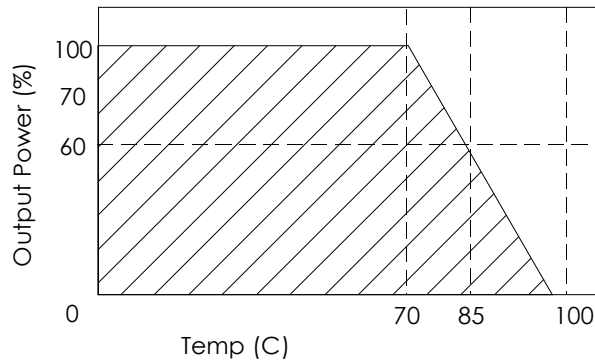
### PHYSICAL DIMENSIONS DIMENSIONS IN mm



PIN NUMBER	SINGLE OUTPUT	DUAL OUTPUT
1	-INPUT	-INPUT
2	+INPUT	+INPUT
3	CTRL	CTRL
6	+Vout	+Vout
7	-Vout	COM
8	NC	-Vout

CTRL PIN 3 CAN BE OPEN

## TEMPERATURE DERATING



## TEST CIRCUIT

