

3 PIN SIP MINIATURE DC/DC Converters from 1 to 15 Watts NON-ISOLATED & REGULATED

GENERAL SPECIFICATIONS

- * I_{out}..... = 1000mA
- * Efficiency Per table
- * Short Circuit Protectio...Thermal Shutdown
- * Conducted/Radiated Emissions
- * Operating Temperature-40°C to +85°C
- * Storage Temperature-55°C to +125°C
- * Switching Frequency330KHz Typ
- * MTBF..... 5000Kh @ 25°C
- * Pin out compatible with LM78xx Regulators

INPUT SPECIFICATIONS

- * Voltage Per Table V_{dc}

OUTPUT SPECIFICATIONS

- * Voltage Per Table
- * Voltage Accuracy ±5%
- * Ripple & Noise 20MHz BW 50mV p-p
- * Line Regulation..... Per Table
- * Load Regulation Per Table
- * Ripple / Noise.....75mVp-p Max

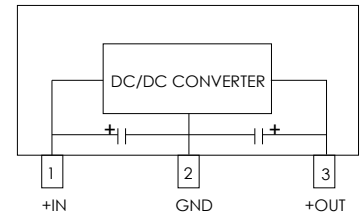
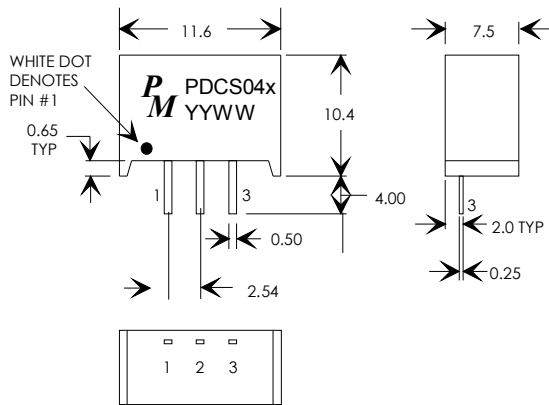
ELECTRICAL SPECIFICATIONS AT 25°C - OPERATING TEMPERATURE RANGE -40°C TO +85°C

PART NUMBER	Input Voltage (Vdc)		Output		Efficiency (% Typ)		Lin Regulation % Max	Load Regulation % Max
	Nominal	Range	Voltage (Vdc)	Current (mA)	V _{in} (Min)	V _{in} (Max)		
PDCS040	–	4.6-36	1.2	1000	74	62	±.3	±.6
PDCS041	–	4.6-36	1.5	1000	78	65	±.3	±.6
PDCS042	–	4.6-36	1.8	1000	82	69	±.3	±.4
PDCS043	–	4.6-36	2.5	1000	87	75	±.3	±.4
PDCS044	–	4.75-36	3.3	1000	91	78	±.3	±.4
PDCS045	–	6.5-36	5.0	1000	92	84	±.3	±.4
PDCS046	–	9-36	6.5	1000	93	87	±.3	±.4
PDCS047	–	12-36	9	1000	95	90	±.3	±.4
PDCS048	–	15-36	12	1000	95	92	±.3	±.4
PDCS049	–	18-36	15	1000	96	94	±.3	±.4

PACKAGE 01XXXX

PHYSICAL DIMENSIONS
DIMENSIONS IN mm
tolerance .xx = .05

Application Circuit



Specifications subject to change without notice.

PDCS01x 10/13