

# 3 PIN SIP MINIATURE DC/DC Converters from 0.75 to 7.5 Watts NON-ISOLATED & REGULATED

## GENERAL SPECIFICATIONS

- \* Iout.....= 500mA
- \* Efficiency ..... Per table
- \* Short Circuit Protectio...Thermal Shutdown
- \* Conducted/Radiated ..... Emissions
- \* Operating Temperature .....-40°C to +85°C
- \* Storage Temperature .....-55°C to +125°C
- \* Switching Frequency .....330KHz Typ
- \* MTBF..... >21098Kh @ 25°C
- \* Pin out compatible with LM78xx Regulators

## INPUT SPECIFICATIONS

- \* Voltage ..... Per Table Vdc

## OUTPUT SPECIFICATIONS

- \* Voltage ..... Per Table
- \* Voltage Accuracy ..... ±5%
- \* Ripple & Noise 20MHz BW ..... 50mV p-p
- \* Line Regulation..... Per Table
- \* Load Regulation ..... Per Table
- \* Ripple / Noise.....30mVp-p Max

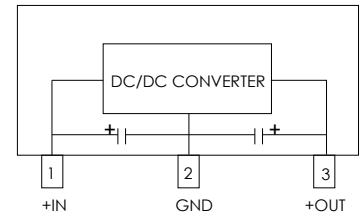
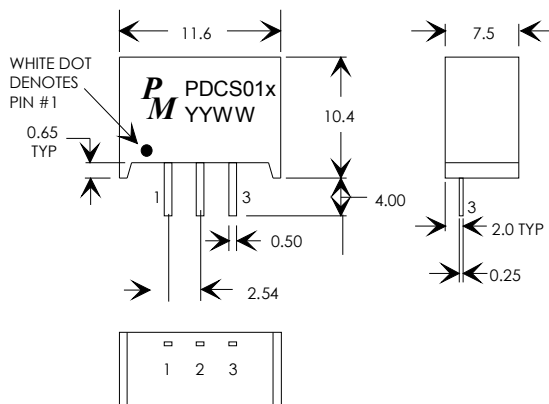
**ELECTRICAL SPECIFICATIONS AT 25°C - OPERATING TEMPERATURE RANGE -40°C TO +85°C**

PART NUMBER	Input Voltage (Vdc)		Output		Efficiency (% Typ)		Lin Regulation Max	Load Regulation Max
	Nominal	Range	Voltage (Vdc)	Current (mA)	Vin (Min)	Vin (Max)		
PDCS010	12	4.75-26	1.5	500	76	66	±1	±.75
PDCS011	12	4.75-28	1.8	500	79	67	±1	±.75
PDCS012	12	4.75-28	2.5	500	85	73	±1	±.75
PDCS013	24	4.75-28	3.5	500	90	80	±.4	±.60
PDCS014	24	6.5-34	5.0	500	93	84	±.4	±.60
PDCS015	24	8-32	6.5	500	94	87	±.4	±.60
PDCS016	24	11-32	9.0	500	95	91	±.4	±.60
PDCS017	24	15-32	12	500	95	92	±.4	±.60
PDCS018	24	18-32	15	500	96	93	±.4	±.60

**PACKAGE 01XXXX**

**PHYSICAL DIMENSIONS**  
DIMENSIONS IN mm  
tolerance .xx = .05

**Application Circuit**



Specifications subject to change without notice.

PDCS01x 10/13