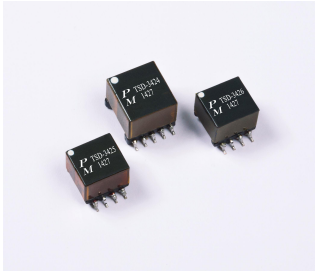


Fly-Buck™ Solution Multiple Output Transformers for Texas Instruments LM5017



— Designed for Use with Texas Instruments, Inc.
LM5017 Fly-Buck Solution Controller —

- ▶ Dual Output (EP10 SMD) and Quad Output (EP13 SMD) Configurations
- ▶ 1500 Vrms Isolation
- ▶ Excellent leakage inductance and interwinding capacitance

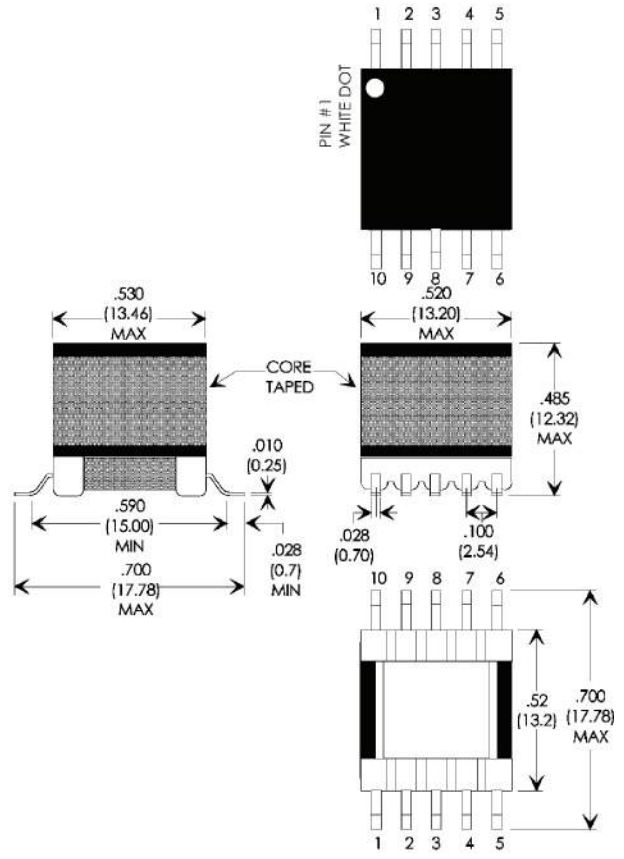
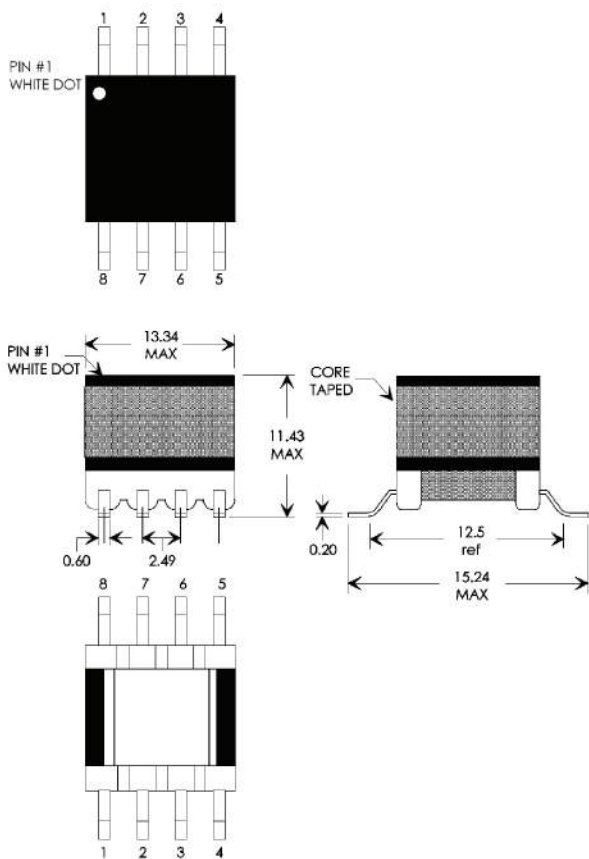
ELECTRICAL RATINGS AT 25°C

Part Number	Vin(Vac)	L(mH)	Isat(A)	F(kHz)	Np:Ns:Na	Vout(V) @Iout(A)	Hipot(kVac)	Size	Schematic
TSD-3424	15-40	0.05	1.5	300-600	1.5 : 1 : 2	+5 @0.10/+15 @0.05	1500	EP13	A
TSD-3425	15-40	0.05	1.3	250-600	1.5 : 1	+5 @0.25	1500	EP10	B
TSD-3426	15-40	0.05	1.2	250-600	2 : 1	+15 @0.15	1500	EP10	C

EP10

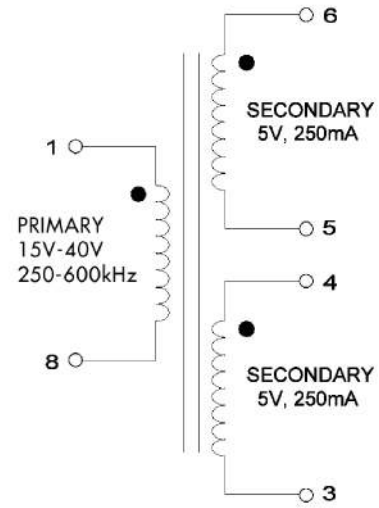
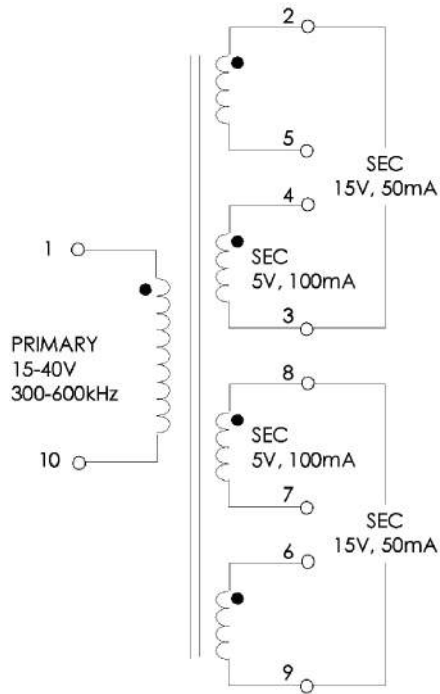
MECHANICAL DIMENSIONS

EP13



Fly-Buck™ Solution Multiple Output Transformers for Texas Instruments LM5017

A SCHEMATIC B



A SCHEMATIC

