

## FEATURES

- RJ-45 connector integrated with Filter
- Size same as RJ-45 connector to save PCB board space
- Isolation Voltage: 1500Vrms, 0.5mA for 2Sec
- Reduce EMI radiation, Improve EMI performance
- Storage temperature range: -40C to +125C
- Cut-Off frequency (Tx/Rx): 17MHz Typ. (@ -3dB)

## ELECTRICAL SPECIFICATIONS AT 25°C - OPERATING TEMPERATURE 0°C TO 70°C

PART NUMBER	Insertion Loss (dB Max)	Attenuation TX/RX (dB Min.)					Return Loss TX&RX @100+/-15 (dB Min)		Cross talk (dB) Min	CMR (dB) Min	RATIO TX/RX +/-5%	Mech
		1-10 MHz	20 MHz	25 MHz	30 MHz	40 MHz	1-10 MHz	5-10 MHz				
RJ2-10NW2	-1.0	-7/-5	-18/-11	-28/-16	-33/-26	--	-13.5	-30	-30	1CT:1.41/1CT:1	A	
RJ2-11NW2	-1.0	-5/-4.2	-18/-11	-28/-16	-33/-26	--	-13.5	-30	-30	1CT:1CT/1CT:1CT	A	
RJ2-12GYDNW2	-1.0	-5/-4.2	-18/-11	-28/-16	-33/-26	--	-14	-30	-30	1CT:1CT/1CT:1CT	B	
RJ2-13NW2	-1.0	-5/-4.2	-18/-11	-28/-16	-33/-26	--	-15	-30	-30	1CT:1CT/1CT:1CT	A	
RJ2-14NW2	-1.0	--	--	-30/-20	--	-15	--	-30	--	1CT:1CT/1CT:1CT	A	
RJ2-15NW2	-1.0	-5/-4.2	-18/-11	-28/-16	-33/-26	--	-13.5	-30	--	1CT:1/1CT:1	A	
RJ2-16NW2	-1.0	-5/-4.2	-18/-11	-28/-16	-33/-26	--	-15	-30	--	1CT:1/1CT:1	A	
RJ2-17NW2	-1.15	-5/-4.2	-18/-11	-28/-16	-33/-26	--	-17Typ	-30	-30	1414:1CT/1CT:1CT	A	
RJ2-18YGD2	-1.0	--	--	-30/-18	--	-15	--	-30	-30	1CT:1.41CT/1CT:1CT	C	
RJ2-19ANW2	-1.0	-5/-4.2	-18/-11	-28/-16	-33/-26	--	-17Typ	-30	-30	1:1CT/1CT:1CT	A	
RJ2-20NW2	-1.15	-5/-4.2	-18/-11	-28/-16	-33/-26	-13.5	--	-30	-30	1:2CT/1CT:1CT	A	
RJ2-21ANW2	-1.15	-5/-4.2	-18/-11	-28/-16	-33/-26	-13.5	--	-30	-30	1:1.414CT/1CT:1CT	A	
RJ2-22NW2	-1.0	--	--	--	--	--	-15	--	-25	1CT:2.5/1CT:1	A	
RJ2-23BPND2	-1.0	-7/-6	-19/-14	-30/-20	-32/-31	--	-17	-30	--	1CT:1CT/1CT:1CT	D	
RJ2-24BPND2	-1.0	--	--	-30/-18	--	-15	--	-30	--	1CT:1CT/1CT:1CT	D	
RJ2-25YGDSNW2	-1.0	-5/-4.2	-18/-11	-28/-16	-33/-26	--	-13.5	-30	-30	1CT:1CT/1CT:1CT	B	

PART NUMBER: RJ2 - 12 GYD NW 2  
A B C D E

A: Series  
B: Schematics  
C: Led  
D: Mechanical  
E: Gold Plating: 1=3u", 2=6u", 3=15u", 4=30u", 5=50u"

### 1.Housing Material:

MATERIAL:NYLON +25% GF (Fr50) UL94V-0

STANDARD COLOR:BLACK

### 2.Insert Material: MATERIAL: Phos-Bronze

C5210 EH--0.35mm Thickness Insert

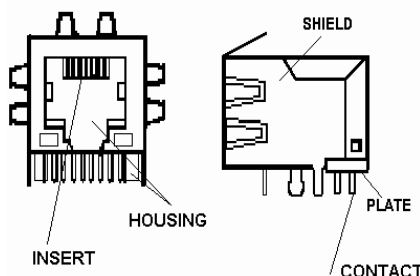
-PBT+30% GF UL94V-0

1.PLATING(1) NICKEL

2.PLATING(2) 100%Sn

3.PLATING(3) GOLD FLASH (3u " ~ 50u " )

### 3.Plate Material:PBT-4830 +30% GF UL 94V-0



### 4.Contact pin Material:

MATERIAL: Phos-Bronze C5210 EH--0.35mm Thickness

1.PLATING(1) NICKEL

2.PLATING(2) 100%Sn

### 5.Shielding Material:

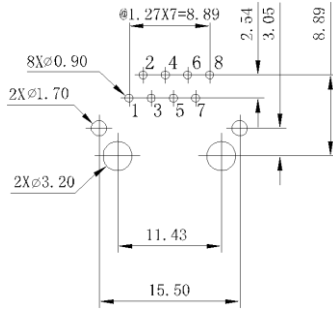
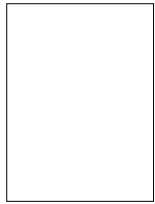
BRASS C2680 H.--0.25mm THICKNESS PLATING NICKEL

6.Operation Life : 750 Cycles Min

7. MATES WITH MODULAR PLUG CONFORMING TO FCC PART 68,SUBPARTF.

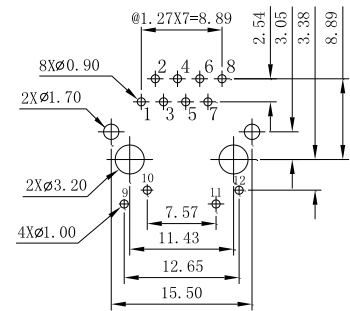
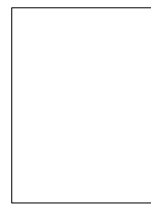
**MECHANICAL AND DIMENSION**

**A**

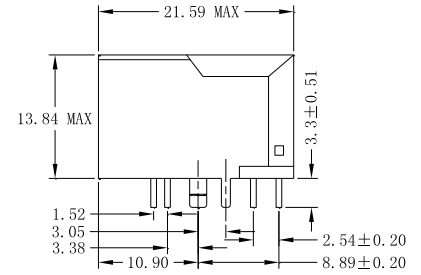
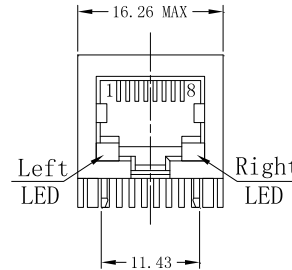
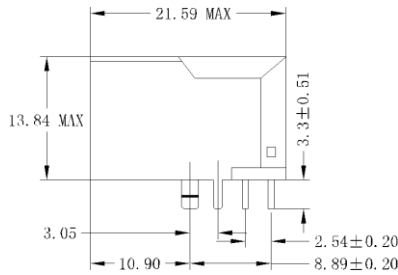
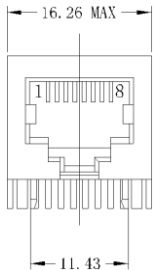


PC Board Layout  
Component Side Shown

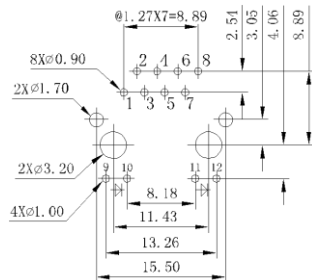
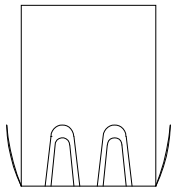
**B**



PC Board Layout  
Component Side Shown

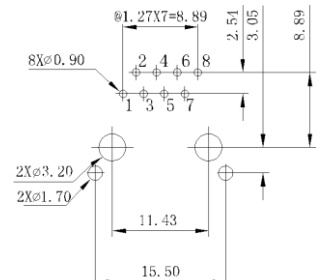
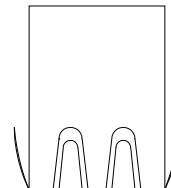


**C**

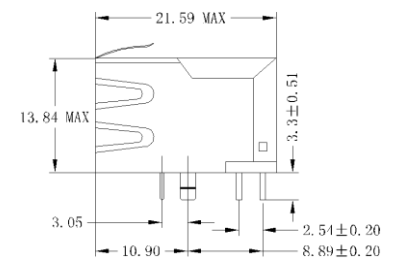
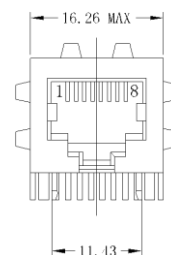
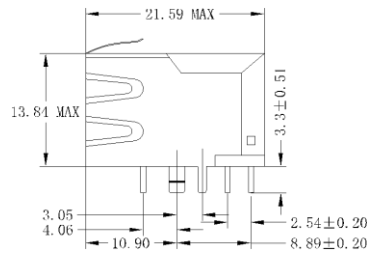
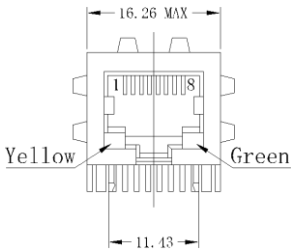


PC Board Layout  
Component Side Shown

**D**



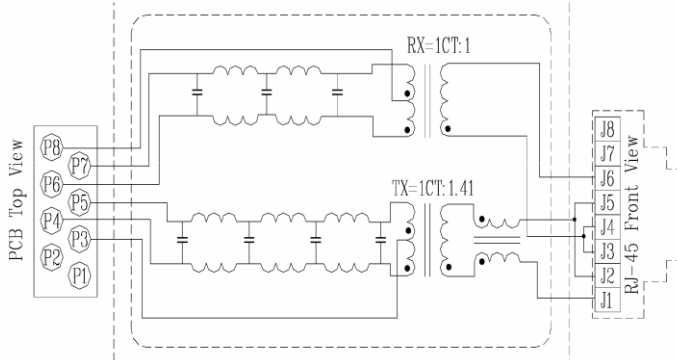
PC Board Layout  
Component Side Shown



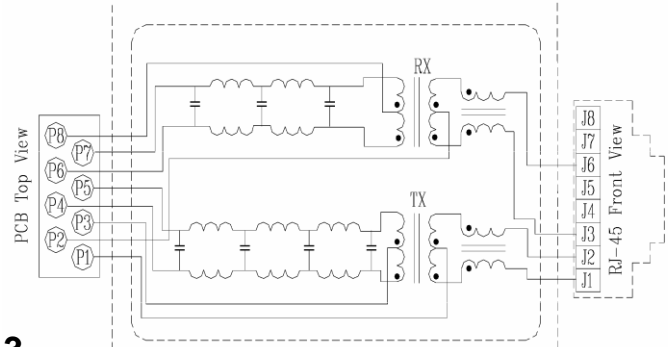
**UNIT: mm Unless otherwise specified, all tolerances are ±0.25**

**SCHEMATICS**

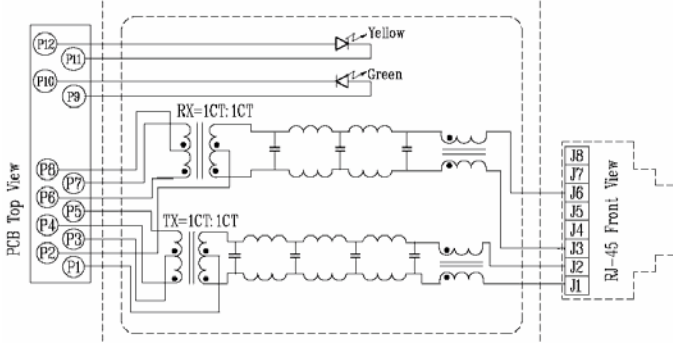
**10**



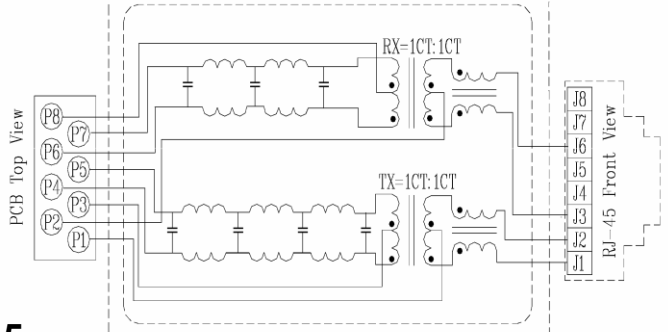
**11**



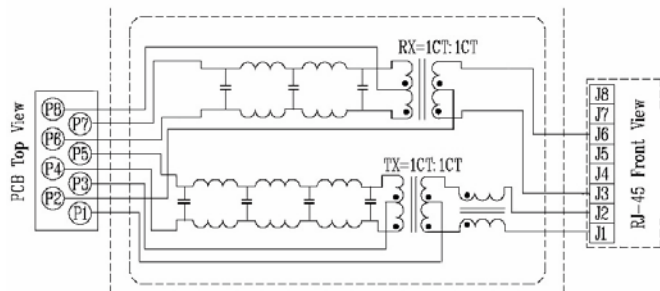
**12GYD**



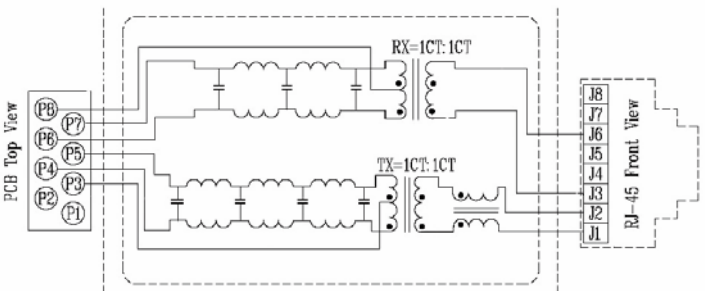
**13**



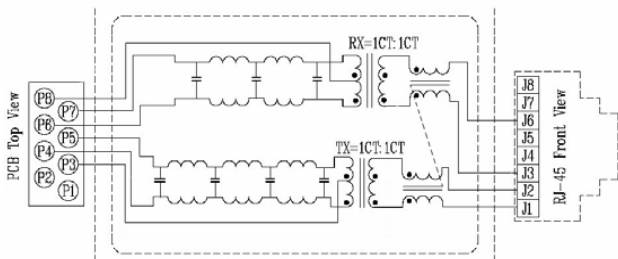
**14**



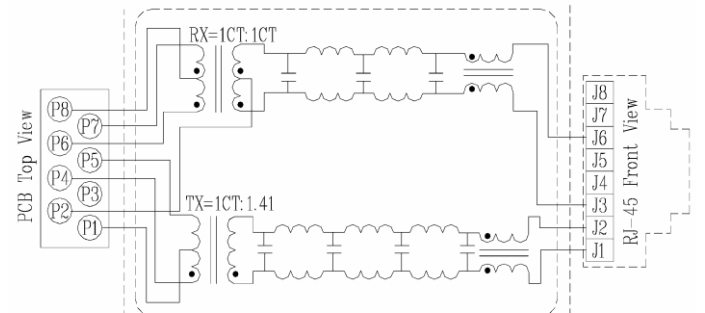
**15**



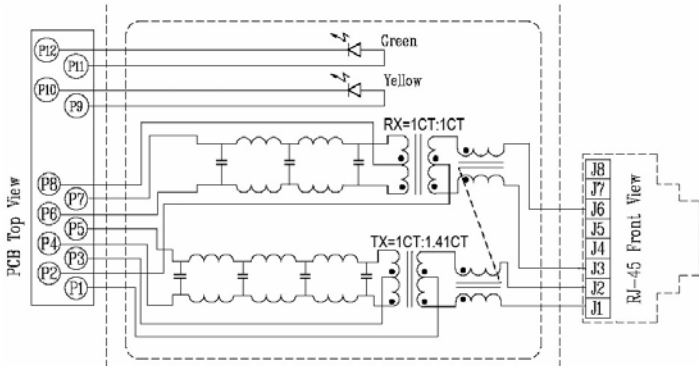
**16**



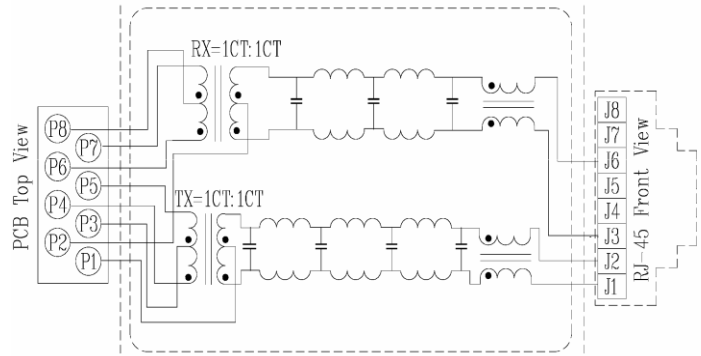
**17**



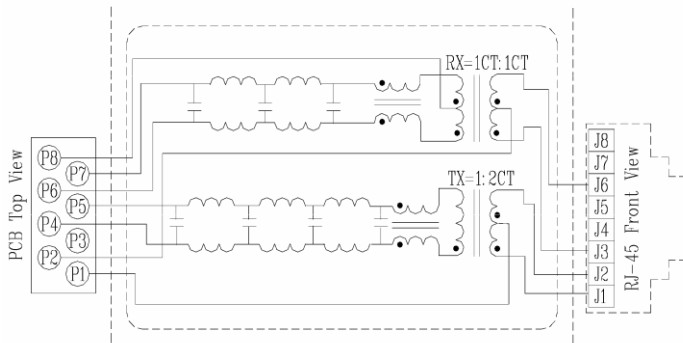
**18YGD**



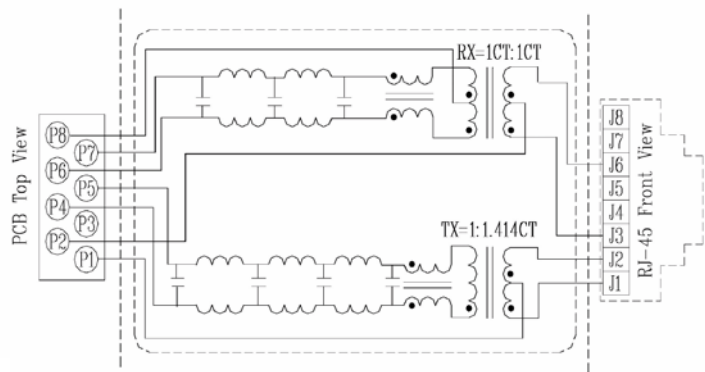
**19**



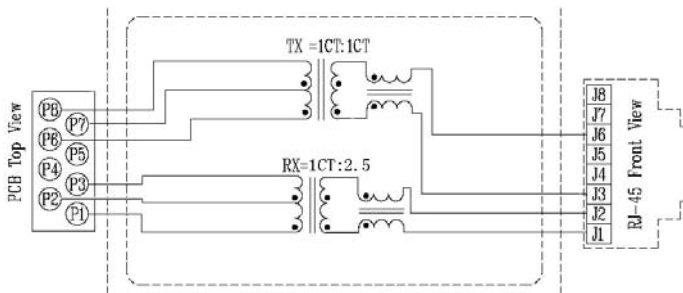
**20**



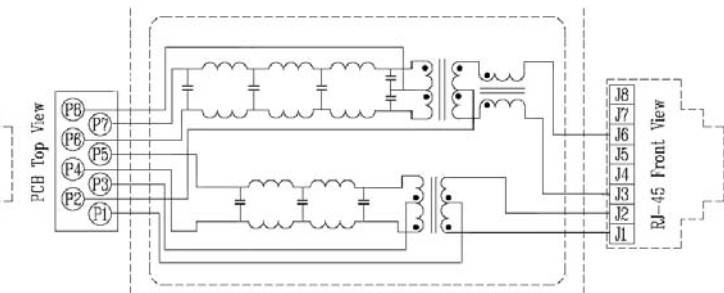
**21**



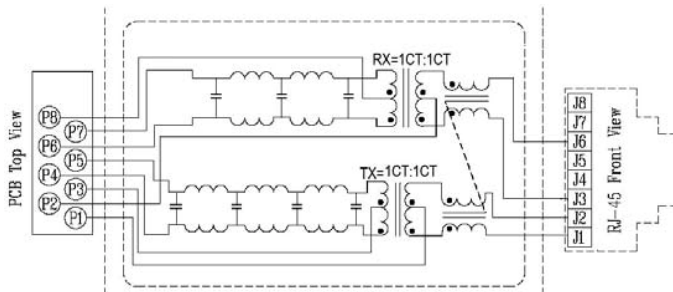
**22**



**23**



**24**



**25**

