



HIGH ISOLATION ENCAPSULATED TRANSFORMERS (E20 SERIES)

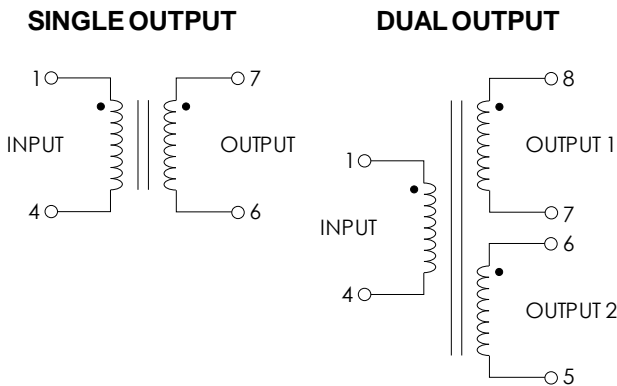
Parts are UL & CSA Recognized Under UL File Pending

- * 115 or 230V Input, 50/60Hz
- * Self-extinguishing plastics UL94V-0
- * All materials rated 120°C minimum
- * 0.35VA to 0.6VA
- * Single or Dual Outputs
- * Schematic & Package A
- * Insulation Resistance: 100MΩ Min.
- * HIPOT: Input at 115 V = 2800 V
- Input at 230 V = 4200 V

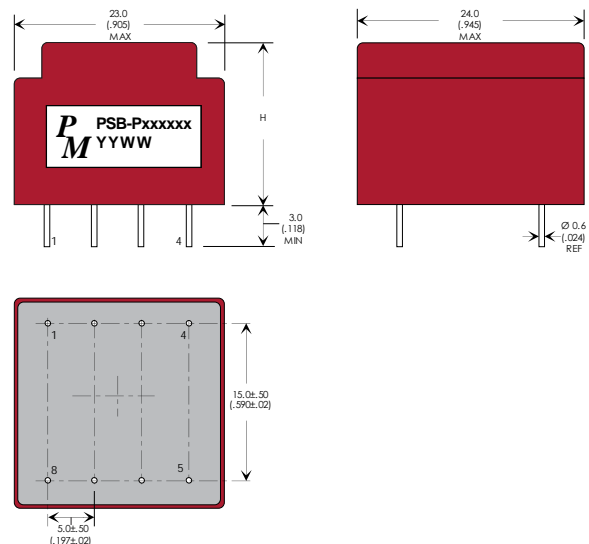
ELECTRICAL SPECIFICATIONS AT 25°C - OPERATING TEMPERATURE RANGE -25°C TO +80°C

PARTNUMBER				SIZE (VA)	SECONDARY RMS RATINGS				AMBIENT TEMP. °C	H (mm) MAX
INPUT VOLTAGE 115V		INPUT VOLTAGE 230V			SINGLE OUTPUT		DUAL OUTPUT			
SINGLE OUTPUT	DUAL OUTPUT	SINGLE OUTPUT	DUAL OUTPUT		NO LOAD	LOAD	NO LOAD	LOAD		
PSB-P00001	PSB-P00001D	PSB-P00021	PSB-P00021D	0.35	9.7V	6V @ 58.0mA	2x9.7V	2x6V @ 2x29.0mA	70	16.0
PSB-P00002	PSB-P00002D	PSB-P00022	PSB-P00022D	0.35	14.7V	9V @ 38.9mA	2x14.7V	2x9V @ 2x19.4mA	70	16.0
PSB-P00003	PSB-P00003D	PSB-P00023	PSB-P00023D	0.35	15.7V	10V @ 35.0mA	2x15.7V	2x10V @ 2x17.5mA	70	16.0
PSB-P00004	PSB-P00004D	PSB-P00024	PSB-P00024D	0.35	20.0V	12V @ 29.0mA	2x20.0V	2x12V @ 2x14.6mA	70	16.0
PSB-P00005	PSB-P00005D	PSB-P00025	PSB-P00025D	0.35	26.1V	15V @ 23.3mA	2x26.1V	2x15V @ 2x11.7mA	70	16.0
PSB-P00006	PSB-P00006D	PSB-P00026	PSB-P00026D	0.35	31.3V	18V @ 19.4mA	2x31.3V	2x18V @ 2x9.7mA	70	16.0
PSB-P00007	PSB-P00007D	PSB-P00027	PSB-P00027D	0.35	40.3V	24V @ 14.6mA	2x40.3V	2x24V @ 2x7.3mA	70	16.0
PSB-P00051	PSB-P00051D	PSB-P00071	PSB-P00071D	0.5	11.0V	6V @ 83.3mA	2x10.9V	2x6V @ 2x41.7mA	70	19.5
PSB-P00052	PSB-P00052D	PSB-P00072	PSB-P00072D	0.5	16.5V	9V @ 55.6mA	2x16.4V	2x9V @ 2x27.8mA	70	19.5
PSB-P00053	PSB-P00053D	PSB-P00073	PSB-P00073D	0.5	17.5V	10V @ 50.0mA	2x17.4V	2x10V @ 2x25.0mA	70	19.5
PSB-P00054	PSB-P00054D	PSB-P00074	PSB-P00074D	0.5	20.6V	12V @ 41.7mA	2x20.6V	2x12V @ 2x20.8mA	70	19.5
PSB-P00055	PSB-P00055D	PSB-P00075	PSB-P00075D	0.5	26.0V	15V @ 33.3mA	2x25.8V	2x15V @ 2x16.7mA	70	19.5
PSB-P00056	PSB-P00056D	PSB-P00076	PSB-P00076D	0.5	30.0V	18V @ 27.8mA	2x29.5V	2x18V @ 2x13.9mA	70	19.5
PSB-P00057	PSB-P00057D	PSB-P00077	PSB-P00077D	0.5	41.1V	24V @ 20.8mA	2x40.5V	2x24V @ 2x10.4mA	70	19.5
PSB-P00101	PSB-P00101D	PSB-P00121	PSB-P00121D	0.6	11.0V	6V @ 100mA	2x10.9V	2x6V @ 2x50.0mA	70	19.5
PSB-P00102	PSB-P00102D	PSB-P00122	PSB-P00122D	0.6	16.5V	9V @ 66.7mA	2x16.4V	2x9V @ 2x33.3mA	70	19.5
PSB-P00103	PSB-P00103D	PSB-P00123	PSB-P00123D	0.6	17.6V	10V @ 60.0mA	2x17.5V	2x10V @ 2x30.0mA	70	19.5
PSB-P00104	PSB-P00104D	PSB-P00124	PSB-P00124D	0.6	20.6V	12V @ 50.0mA	2x20.6V	2x12V @ 2x25.0mA	70	19.5
PSB-P00105	PSB-P00105D	PSB-P00125	PSB-P00125D	0.6	26.0V	15V @ 40.0mA	2x25.8V	2x15V @ 2x20.0mA	70	19.5
PSB-P00106	PSB-P00106D	PSB-P00126	PSB-P00126D	0.6	30.0V	18V @ 33.3mA	2x29.5V	2x18V @ 2x16.7mA	70	19.5
PSB-P00107	PSB-P00107D	PSB-P00127	PSB-P00127D	0.6	41.1V	24V @ 25.0mA	2x40.5V	2x24V @ 2x12.5mA	70	19.5

SCHEMATIC A



PACKAGE A



Specifications subject to change without notice.

05/16



HIGH ISOLATION ENCAPSULATED TRANSFORMERS (E30 SERIES)

Parts are UL & CSA Recognized Under UL File Pending

- * 115 /230V Input, 50/60Hz
- * Self-extinguishing plastics UL94V-0
- * All materials rated 120°C minimum
- * 0.6VA - 2.3VA
- * Single or Dual Outputs
- * Schematic & Package B
- * Insulation Resistance: 100MOhm Min.
- * HIPOT: Input at 115 V = 2800 V
- Input at 230 V = 4200 V

ELECTRICAL SPECIFICATIONS AT 25°C - OPERATING TEMPERATURE RANGE -25°C TO +80°C

PARTNUMBER				SIZE (VA)	SECONDARYRMSRATINGS				AMBIENT TEMP. °C	H (mm) MAX
INPUT VOLTAGE 115V		INPUT VOLTAGE 230V			SINGLE OUTPUT		DUAL OUTPUT			
SINGLE OUTPUT	DUAL OUTPUT	SINGLE OUTPUT	DUAL OUTPUT		NO LOAD	LOAD	NO LOAD	LOAD		
PSB-P00151	PSB-P00151D	PSB-P00171	PSB-P00171D	0.6	10.5V	6V @ 100mA	2x10.5V	2x6V @ 2x50mA	70	15.7
PSB-P00152	PSB-P00152D	PSB-P00172	PSB-P00172D	0.6	15.5V	9V @ 66mA	2x15.5V	2x9V @ 2x33mA	70	15.7
PSB-P00153	PSB-P00153D	PSB-P00173	PSB-P00173D	0.6	15.5V	10V @ 60mA	2x15.5V	2x10V @ 2x30mA	70	15.7
PSB-P00154	PSB-P00154D	PSB-P00174	PSB-P00174D	0.6	20.5V	12V @ 50mA	2x20.5V	2x12V @ 2x25mA	70	15.7
PSB-P00155	PSB-P00155D	PSB-P00175	PSB-P00175D	0.6	25.4V	15V @ 40mA	2x25.0V	2x15V @ 2x20mA	70	15.7
PSB-P00156	PSB-P00156D	PSB-P00176	PSB-P00176D	0.6	30.4V	18V @ 33mA	2x30.4V	2x18V @ 2x17mA	70	15.7
PSB-P00157	PSB-P00157D	PSB-P00177	PSB-P00177D	0.6	40.4V	24V @ 25mA	2x40.4V	2x24V @ 2x12mA	70	15.7
PSB-P00201	PSB-P00201D	PSB-P00221	PSB-P00221D	1.0	8.6V	6V @ 167mA	2x8.6V	2x6V @ 2x83mA	70	22.3
PSB-P00202	PSB-P00202D	PSB-P00222	PSB-P00222D	1.0	12.9V	9V @ 111mA	2x12.9V	2x9V @ 2x56mA	70	22.3
PSB-P00203	PSB-P00203D	PSB-P00223	PSB-P00223D	1.0	12.9V	10V @ 100mA	2x12.9V	2x10V @ 2x50mA	70	22.3
PSB-P00204	PSB-P00204D	PSB-P00224	PSB-P00224D	1.0	17.2V	12V @ 83mA	2x19V	2x12V @ 2x42mA	70	22.3
PSB-P00205	PSB-P00205D	PSB-P00225	PSB-P00225D	1.0	21.6V	15V @ 67mA	2x23.6V	2x15V @ 2x33mA	70	22.3
PSB-P00206	PSB-P00206D	PSB-P00226	PSB-P00226D	1.0	25.9V	18V @ 56mA	2x24.9V	2x18V @ 2x28mA	70	22.3
PSB-P00207	PSB-P00207D	PSB-P00227	PSB-P00227D	1.0	37.9V	24V @ 42mA	2x37.9V	2x24V @ 2x21mA	70	22.3
PSB-P00351	PSB-P00351D	PSB-P00371	PSB-P00371D	1.5	9.7V	6V @ 250mA	2x9.7V	2x6V @ 2x125mA	70	24.4
PSB-P00352	PSB-P00352D	PSB-P00372	PSB-P00372D	1.5	14.5V	9V @ 167mA	2x15.3V	2x9V @ 2x83mA	70	24.4
PSB-P00353	PSB-P00353D	PSB-P00373	PSB-P00373D	1.5	14.5V	10V @ 150mA	2x15.3V	2x10V @ 2x75mA	70	24.4
PSB-P00354	PSB-P00354D	PSB-P00374	PSB-P00374D	1.5	19.3V	12V @ 125mA	2x19.3V	2x12V @ 2x63mA	70	24.4
PSB-P00355	PSB-P00355D	PSB-P00375	PSB-P00375D	1.5	24.2V	15V @ 100mA	2x24.2V	2x15V @ 2x50mA	70	24.4
PSB-P00356	PSB-P00356D	PSB-P00376	PSB-P00376D	1.5	29.8V	18V @ 83mA	2x29V	2x18V @ 2x42mA	70	24.4
PSB-P00357	PSB-P00357D	PSB-P00377	PSB-P00377D	1.5	38.6V	24V @ 63mA	2x38.6V	2x24V @ 2x31mA	70	24.4
PSB-P00501	PSB-P00501D	PSB-P00521	PSB-P00521D	2.0	10.4V	6V @ 333mA	2x10.4V	2x6V @ 2x167mA	70	27.4
PSB-P00502	PSB-P00502D	PSB-P00522	PSB-P00522D	2.0	15.5V	9V @ 222mA	2x15.4V	2x9V @ 2x111mA	70	27.4
PSB-P00503	PSB-P00503D	PSB-P00523	PSB-P00523D	2.0	15.5V	10V @ 200mA	2x15.4V	2x10V @ 2x100mA	70	27.4
PSB-P00504	PSB-P00504D	PSB-P00524	PSB-P00524D	2.0	20.7V	12V @ 167mA	2x20.7V	2x12V @ 2x83mA	70	27.4
PSB-P00505	PSB-P00505D	PSB-P00525	PSB-P00525D	2.0	25.8V	15V @ 133mA	2x25.0V	2x15V @ 2x67mA	70	27.4
PSB-P00506	PSB-P00506D	PSB-P00526	PSB-P00526D	2.0	30.8V	18V @ 111mA	2x30.8V	2x18V @ 2x56mA	70	27.4
PSB-P00507	PSB-P00507D	PSB-P00527	PSB-P00527D	2.0	41.4V	24V @ 83mA	2x41.4V	2x24V @ 2x42mA	70	27.4
PSB-P00551	PSB-P00551D	PSB-P00571	PSB-P00571D	2.3	10.5V	6V @ 383mA	2x10.5V	2x6V @ 2x192mA	70	29.8
PSB-P00552	PSB-P00552D	PSB-P00572	PSB-P00572D	2.3	15.7V	9V @ 256mA	2x15.7V	2x9V @ 2x128mA	70	29.8
PSB-P00553	PSB-P00553D	PSB-P00573	PSB-P00573D	2.3	15.7V	10V @ 230mA	2x15.7V	2x10V @ 2x115mA	70	29.8
PSB-P00554	PSB-P00554D	PSB-P00574	PSB-P00574D	2.3	21.0V	12V @ 192mA	2x21.0V	2x12V @ 2x96mA	70	29.8
PSB-P00555	PSB-P00555D	PSB-P00575	PSB-P00575D	2.3	25.9V	15V @ 153mA	2x25.0V	2x15V @ 2x77mA	70	29.8
PSB-P00556	PSB-P00556D	PSB-P00576	PSB-P00576D	2.3	31.4V	18V @ 128mA	2x31.4V	2x18V @ 2x64mA	70	29.8
PSB-P00557	PSB-P00557D	PSB-P00577	PSB-P00577D	2.3	41.9V	24V @ 96mA	2x41.9V	2x24V @ 2x48mA	70	29.8

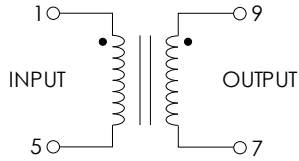
Specifications subject to change without notice.

HIGH ISOLATION ENCAPSULATED TRANSFORMERS (E30 SERIES)

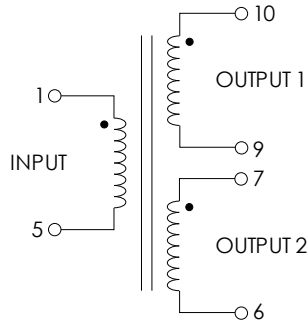
Parts are UL & CSA Recognized Under UL File Pending

SCHEMATIC B

SINGLE OUTPUT



DUAL OUTPUT



PACKAGE B

