

# PM-CXXX CURRENT SENSE TRANSFORMERS

- \* Frequency Range from 50KHz to 1MHz.
- \* Designed for Automatic Pick and Place.
- \* Small footprint, with 5.5mm height Max.
- \* Withstands Solder Reflow.

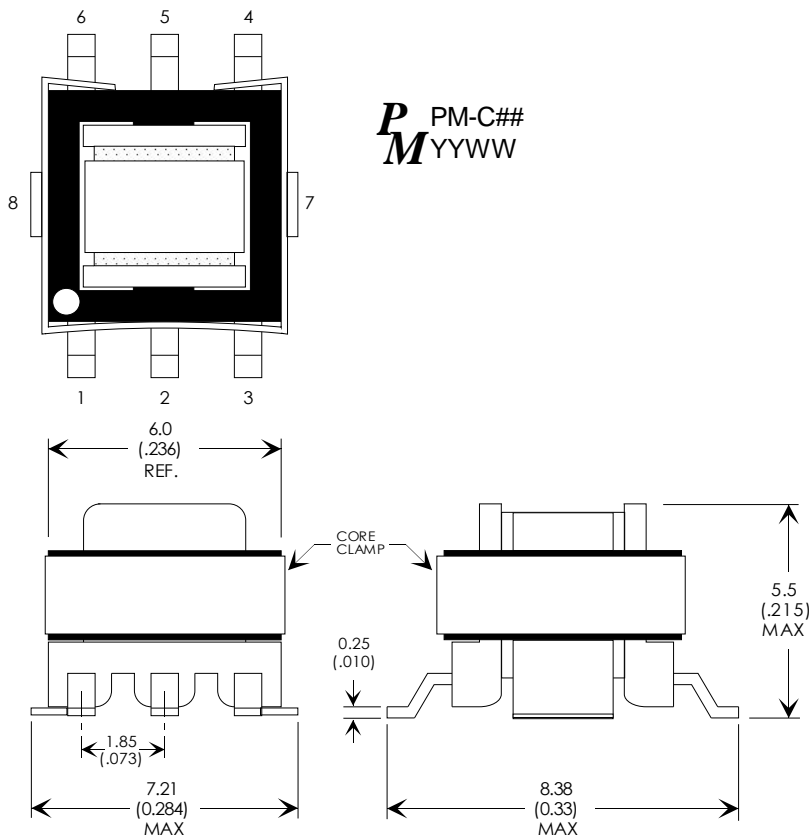
- \* Rating Current upto 20A.
- \* Operating Temperature: -55°C to +130°C.
- \* Storage Temperature: -55°C to +130°C.
- \* 1000Vrms Minimum Isolation Voltage.

## ELECTRICAL SPECIFICATIONS AT 25°C - OPERATING TEMPERATURE RANGE -55°C TO +130°C

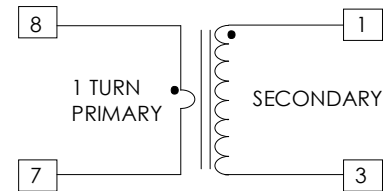
PART NUMBER	TURNS $N_s \pm 1\%$	PRI CURRENT (Amps)	SEC INDUCTANCE (mH Min.)	DC Resistance (m $\Omega$ MAX)		HIPOT (Vrms)
				Primary (7-8)	Secondary (1-3)	
PM-C58	1 : 20	20	0.08	0.75	550	1000
PM-C59	1 : 30	20	0.18	0.75	870	1000
PM-C60	1 : 40	20	0.32	0.75	1140	1000
PM-C61	1 : 50	20	0.50	0.75	1500	1000
PM-C62	1 : 60	20	0.72	0.75	2500	1000
PM-C63	1 : 70	20	0.98	0.75	4750	1000
PM-C64	1 : 100	20	2.00	0.75	6000	1000
PM-C65	1 : 125	20	3.00	0.75	7700	1000
PM-C66	1 : 200	20	8.00	0.75	17000	1000

### MECHANICAL

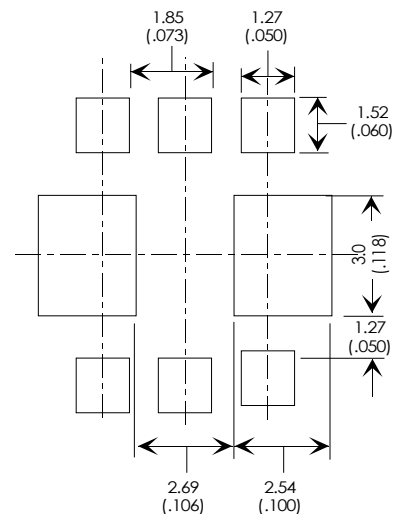
#### PHYSICAL Dimensions in mm (inches)



### SCHEMATIC



### RECOMMEND LAYOUT



Specifications subject to change without notice.



# PM-CXXX CURRENT SENSE TRANSFORMERS

## CROSS REFERENCE LISTING

<b><u>PREMIER PART#</u></b>	<b><u>REFERENCE PART#</u></b>
PM-C58	PULSER PL3258
PM-C59	PULSER PL3259
PM-C60	PULSER PL3260
PM-C61	PULSER PL3261
PM-C62	PULSER PL3262
PM-C63	PULSER PL3263
PM-C64	PULSER PL3264
PM-C65	PULSER PL3265
PM-C66	PULSER PL3479

Specifications subject to change without notice.

20381 BARENTS SEA CIRCLE, LAKE FOREST, CA 92630 ☎ TEL: (949) 452-0511 ☎ FAX: (949) 452-0512 ☎ <http://www.premiermag.com>